

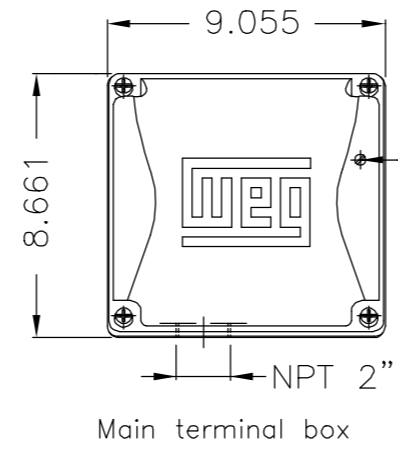
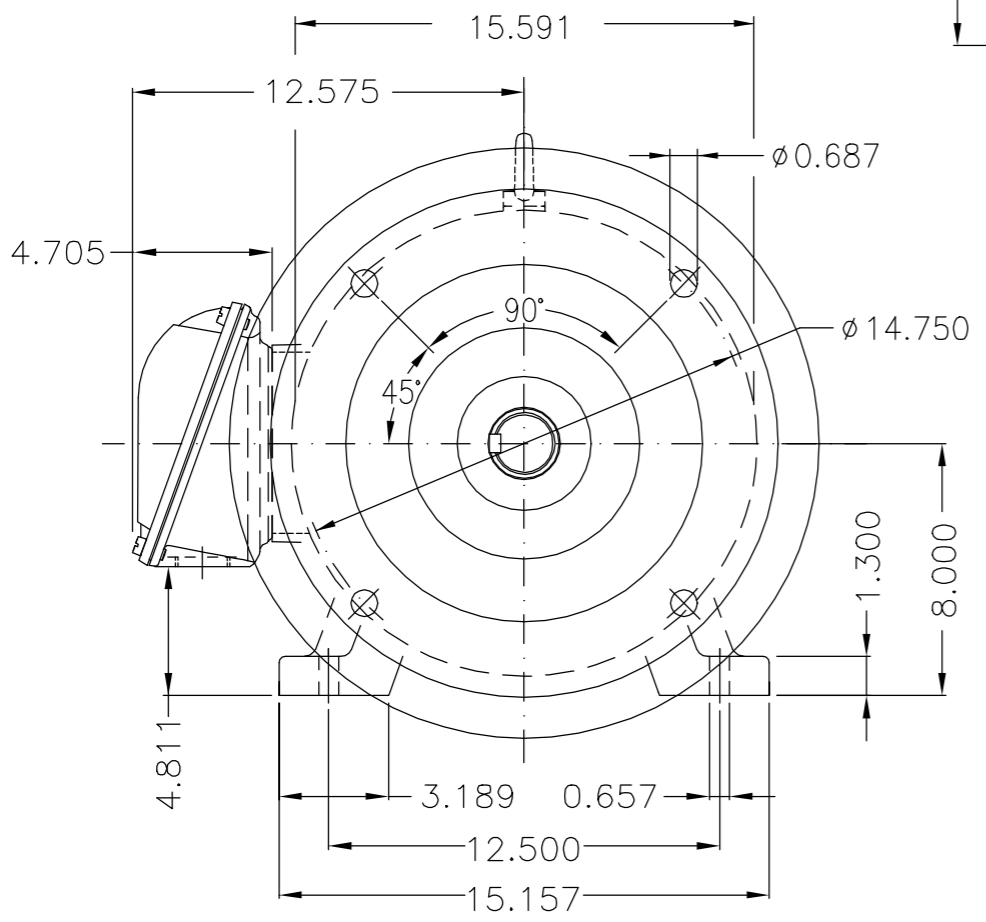
EIXO/SHAFT	
PADRÃO/STANDARD	X
OPCIONAL/OPTIONAL	
ESPECIAL/SPECIAL	

Dimensões em polegada
Dimensions in inches

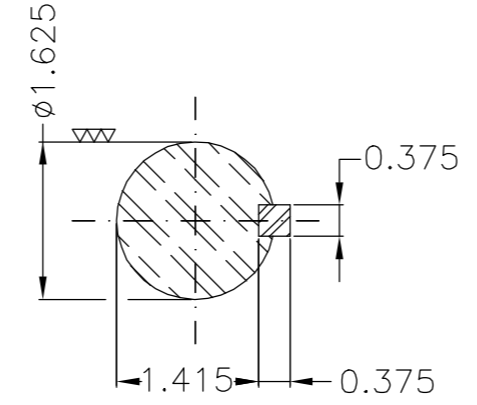
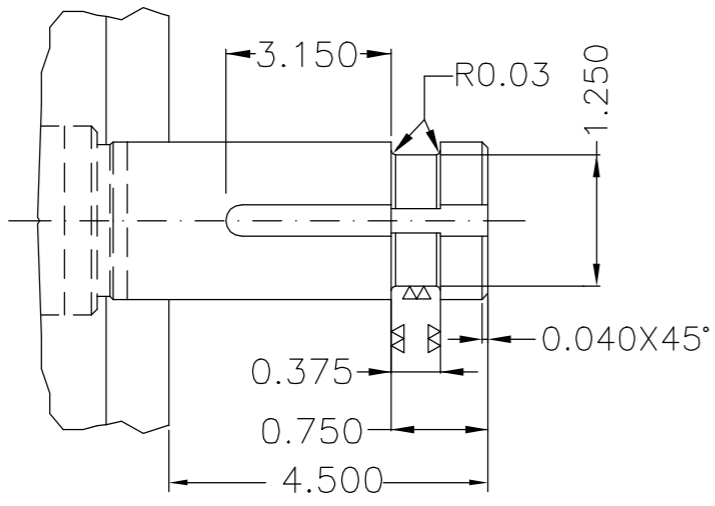
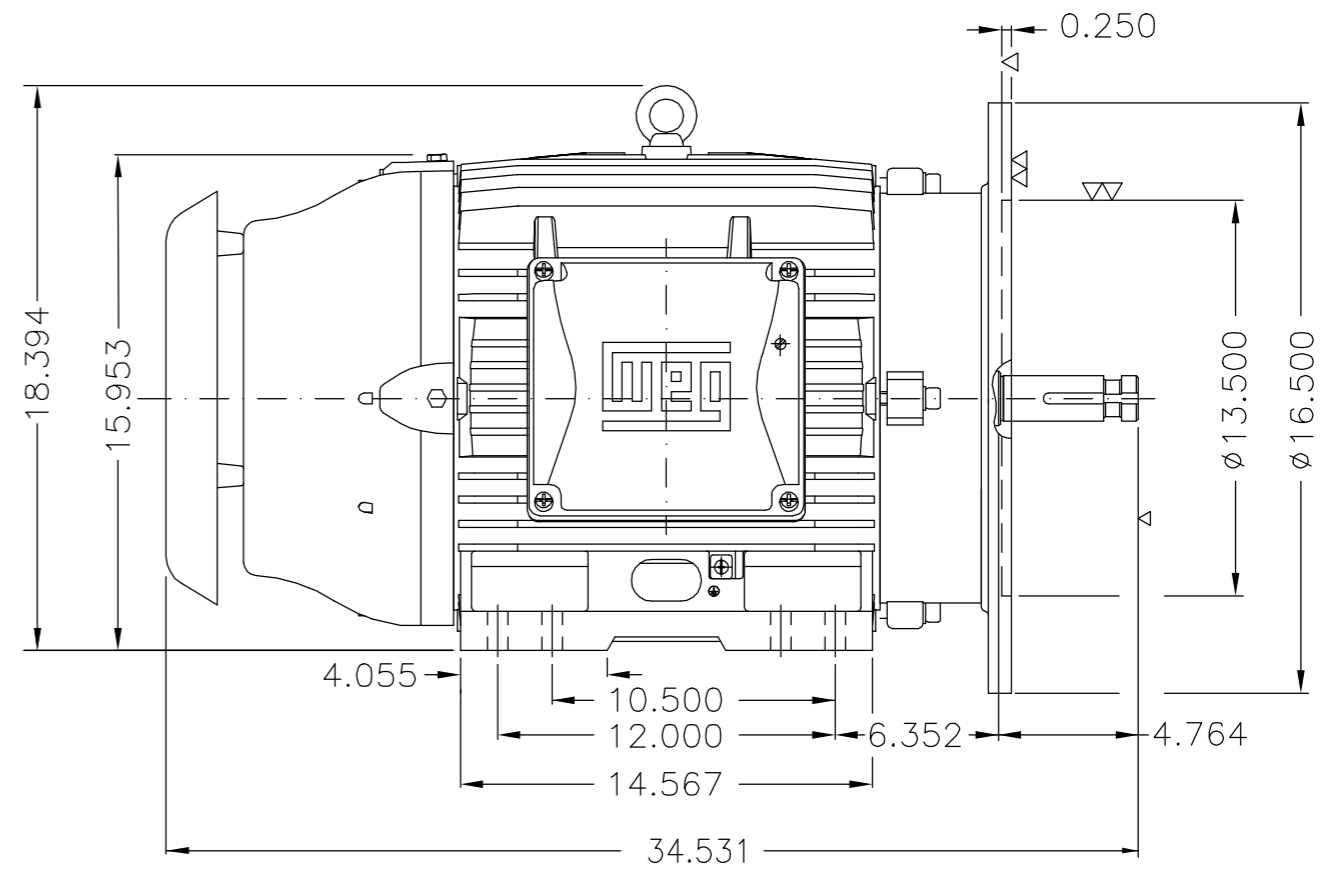
CERTIFIED WEG MOTORES
Certified document.
Not subject to changes.

THIS IS AN UPDATED REVISION, THE PREVIOUS ONE MUST BE DISREGARDED.

A
B
C
D
E



Grounding for leads 5.2–35 mm²



Plano de pintura 203A / Painting plan 203A						
Forma construtiva NEMA W-6 / Mounting NEMA W-6						
Forma construtiva V15D / Mounting V15R(D)						
V.J. PAMENSKY CANADA INC.						
500001555542		ALT. CONFORME CLAIM 415202866	RBOECK	ALISSON	ALISSON	08.02.2019 01
500001054266		DOCUMENTO NOVO	NSCHMIDT	JOAOVICTOR	JOAOVICTOR	30.06.2015 00
ECM	LOC	SUMMARY OF MODIFICATIONS	EXECUTED	CHECKED	RELEASED	DATE VER
EXECUTED	NSCHMIDT	THREE PHASE W22 P-BASE MOTOR PREMIUM EFF FRAME 324/6HP IP55 P. BASE	10003656137		000 01	
CHECKED	JOAOVICTOR					
RELEASED	JOAOVICTOR					
REL DT	30.06.2015	WMO	JARAGUA DO SUL	ENGENHARIA DE PRODUTO	SHEET	1 / 1

40 HP 04 Poles 60Hz 413907796/0-MEC.

A

UNCONTROLLED COPY RELEASED ZME A3

