

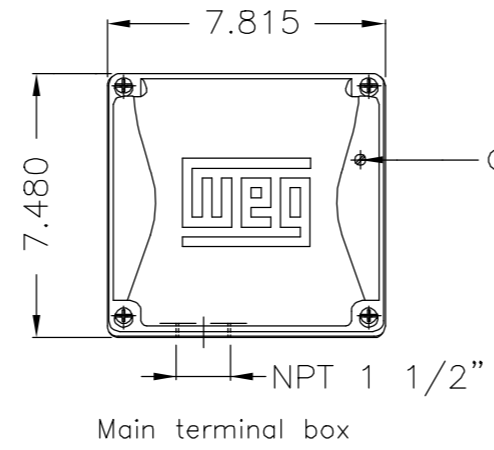
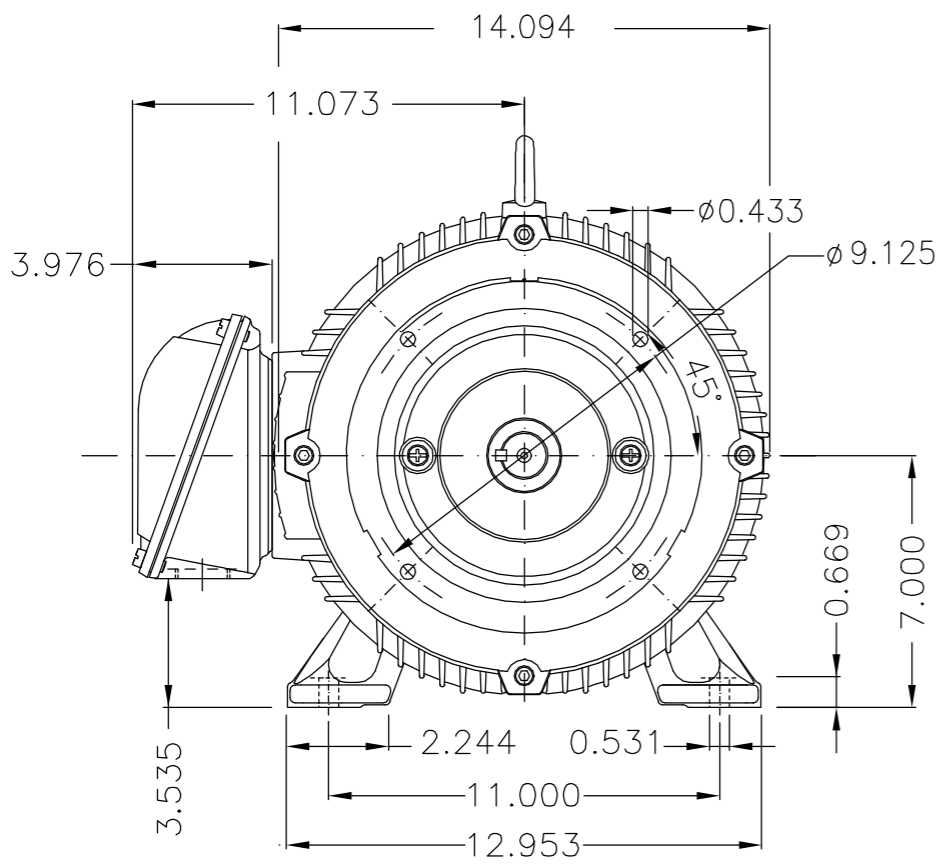
EIXO/SHAFT	
PADRÃO/STANDARD	X
OPCIONAL/OPTIONAL	
ESPECIAL/SPECIAL	

Dimensões em polegada
Dimensions in inches

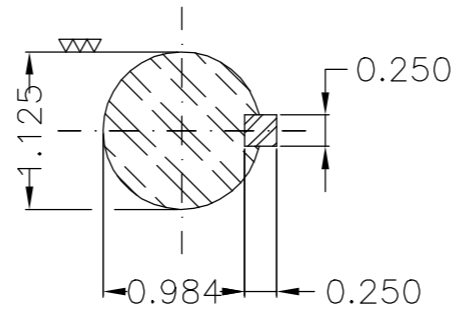
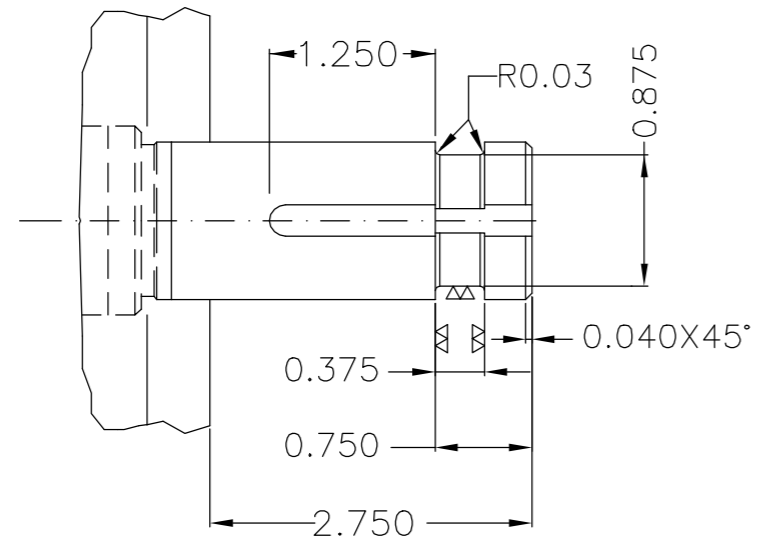
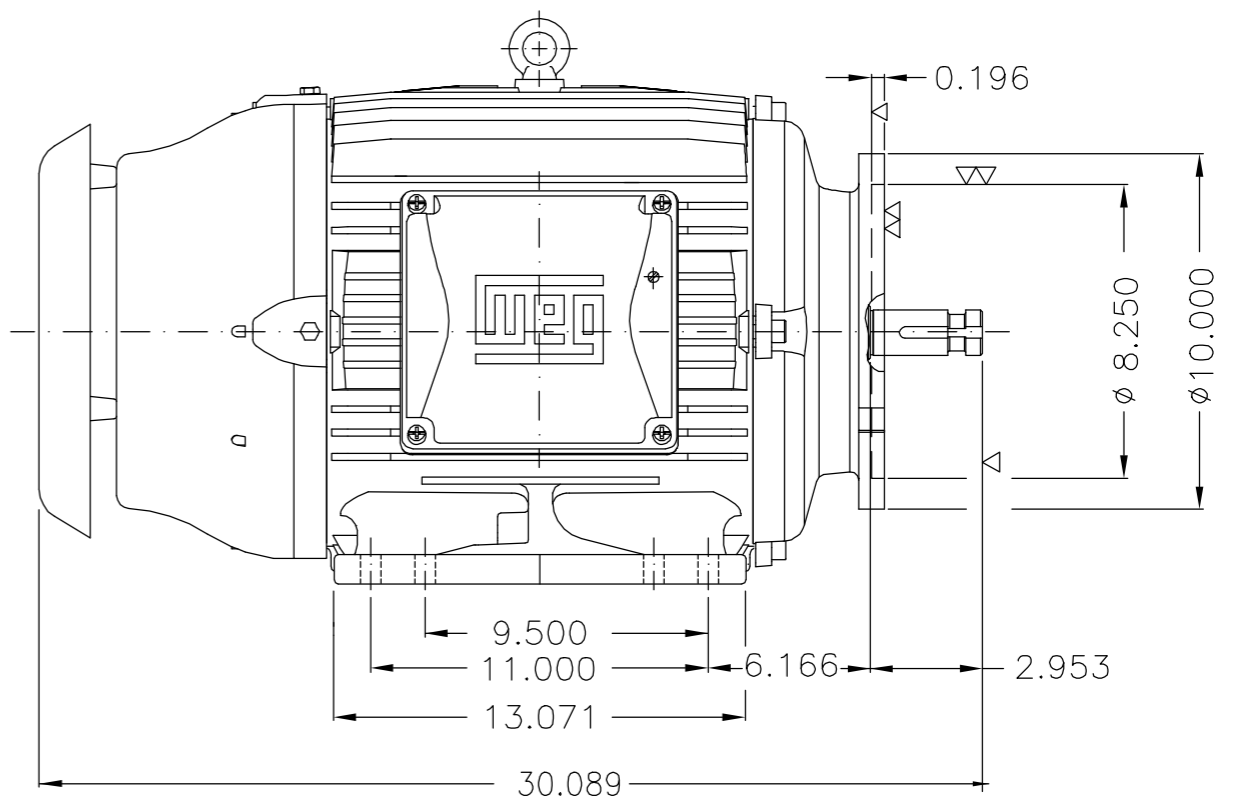
CERTIFIED WEG MOTORES
Certified document.
Not subject to changes.

THIS IS AN UPDATED REVISION, THE PREVIOUS ONE MUST BE DISREGARDED.

A
B
C
D
E



Grounding for leads 5.2–25 mm²



Plano de pintura 203A / Painting plan 203A
Forma construtiva NEMA W-6 / Mounting NEMA W-6
Forma construtiva V15D / Mounting V15R(D)
V.J. PAMENSKY CANADA INC.

500001674319		ALTERADO CFME. CLAIM 415477818	ELIOM	ALISSON	ALISSON	20.01.2020	01
500001054266		DOCUMENTO NOVO	NSCHMIDT	JOAOVICTOR	JOAOVICTOR	30.06.2015	00
ECM	LOC	SUMMARY OF MODIFICATIONS	EXECUTED	CHECKED	RELEASED	DATE	VER
EXECUTED	NSCHMIDT	THREE PHASE W22 P-BASE MOTOR PREMIUM EFF FRAME 284/6HP IP55 P. BASE	10003656101				
CHECKED	JOAOVICTOR		000	01			
RELEASED	JOAOVICTOR						
REL DT	30.06.2015	WMO	JARAGUA DO SUL	ENGENHARIA DE PRODUTO	SHEET	1 / 1	

30 HP 04 Poles 60Hz
25 HP 04 Poles 60Hz 413907794/0-MEC.

B
A

UNCONTROLLED COPY
RELEASED
ZME A3