

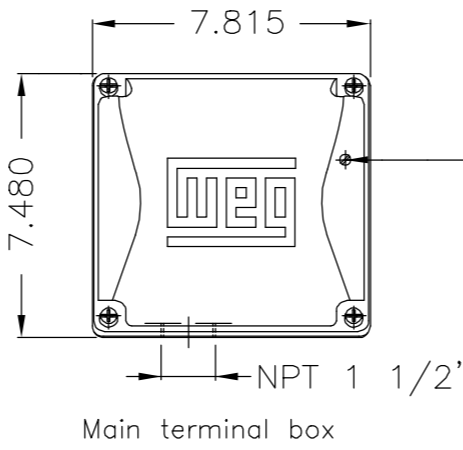
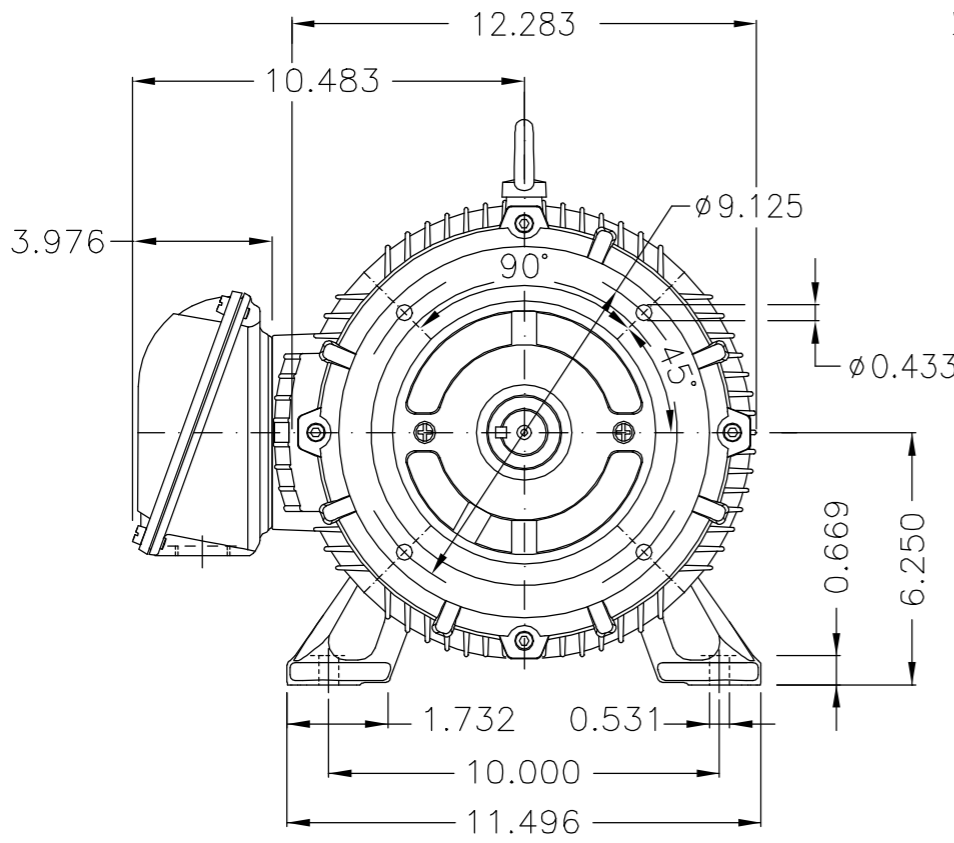
EIXO/SHAFT	
PADRÃO/STANDARD	X
OPCIONAL/OPTIONAL	
ESPECIAL/SPECIAL	

Dimensões em polegada
Dimensions in inches

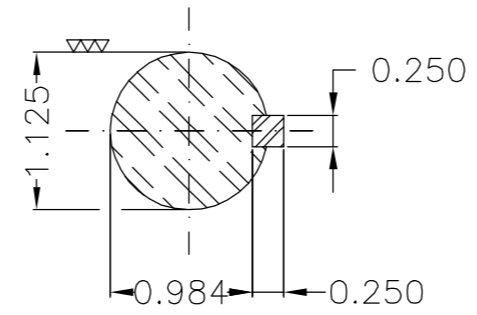
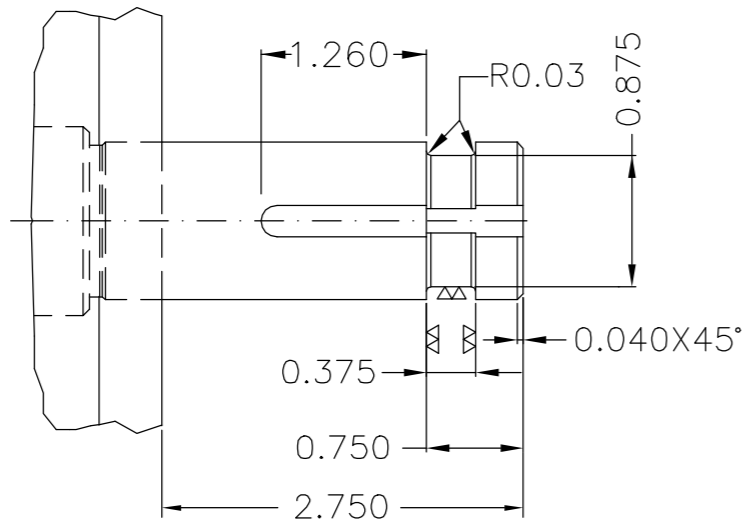
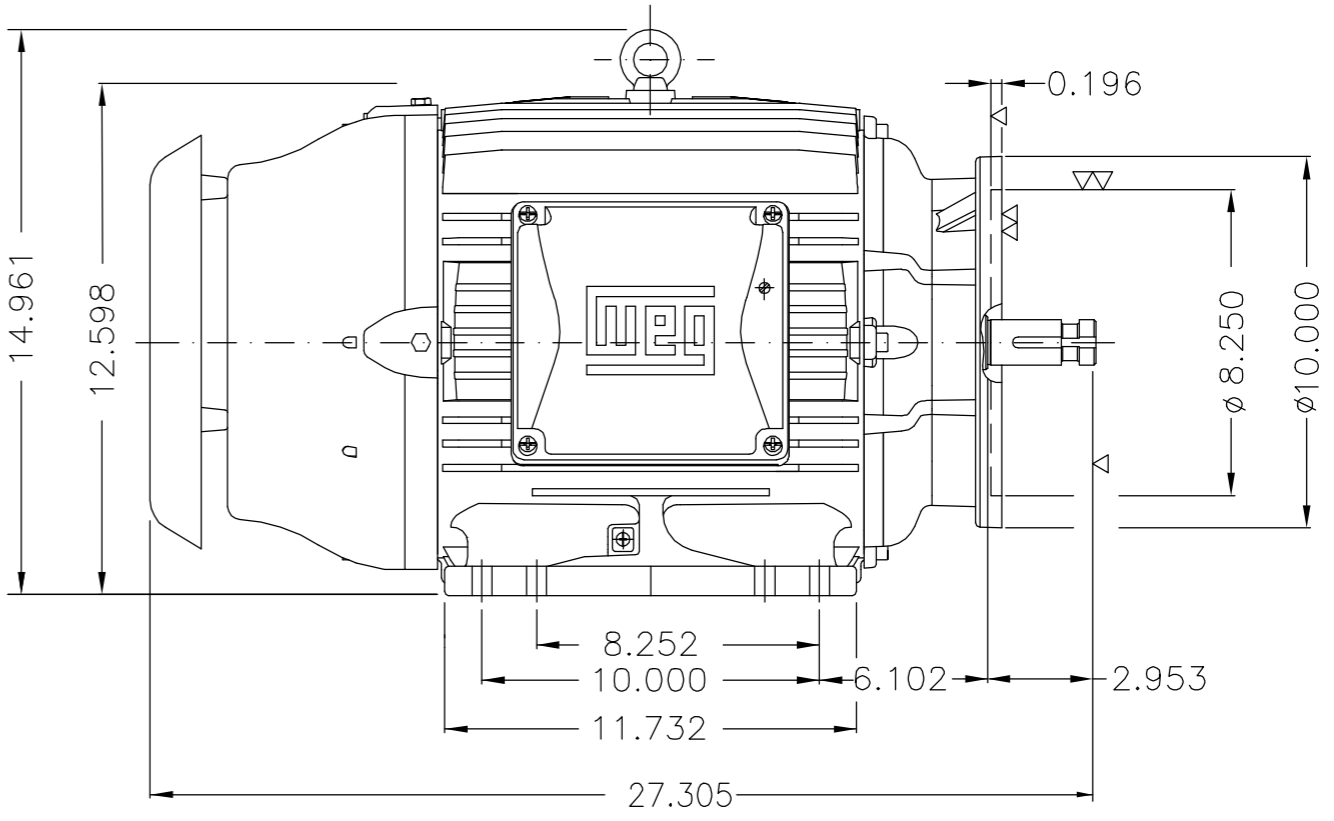
CERTIFIED WEG MOTORES
Certified document.
Not subject to changes.

THIS IS AN UPDATED REVISION, THE PREVIOUS ONE MUST BE DISREGARDED.

A
B
C
D
E



Grounding for leads 5.2–25 mm²



Plano de pintura 203A / Painting plan 203A
Forma construtiva NEMA W-6 / Mounting NEMA W-6
Forma construtiva V15D / Mounting V15R(D)
V.J. PAMENSKY CANADA INC.

500002133069	ALT CONFORME 418984884	CLAUDEMIRR	JACKSONDC	JACKSONDC	23.05.2022	02		
500001282827	ATUALIZADO CFME CLAIM 414182410	PKREYSSIG	ALISSON	ALISSON	08.05.2017	01		
ECM	LOC	SUMMARY OF MODIFICATIONS		EXECUTED	CHECKED	RELEASED	DATE	VER
EXECUTED	NSCHMIDT	THREE PHASE W22 P-BASE MOTOR PREMIUM EFF		10003656018				
CHECKED	JOAOVICTOR	FRAME 254/6HP IP55		000 02				
RELEASED	JOAOVICTOR	P. BASE						
REL DT	30.06.2015	WMO	JARAGUA DO SUL	ENGENHARIA DE PRODUTO	SHEET	1 / 1		

20 HP	04 Poles	60Hz		B
15 HP	04 Poles	60Hz	413907719/0-MEC.	A

UNCONTROLLED COPY
RELEASED
ZME A3