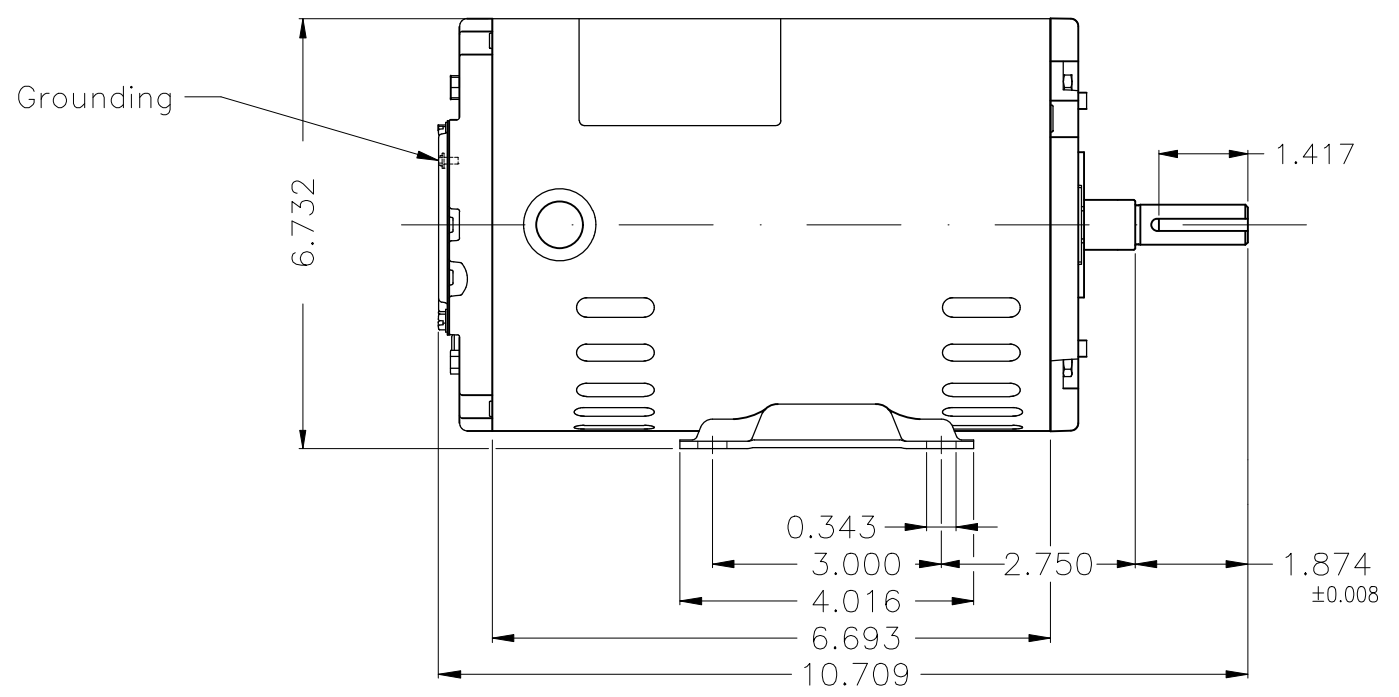
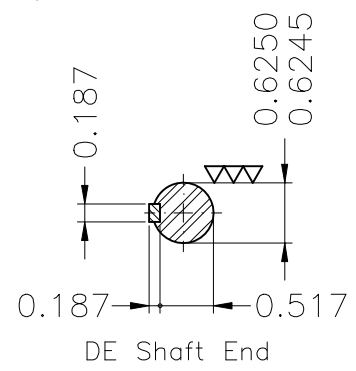
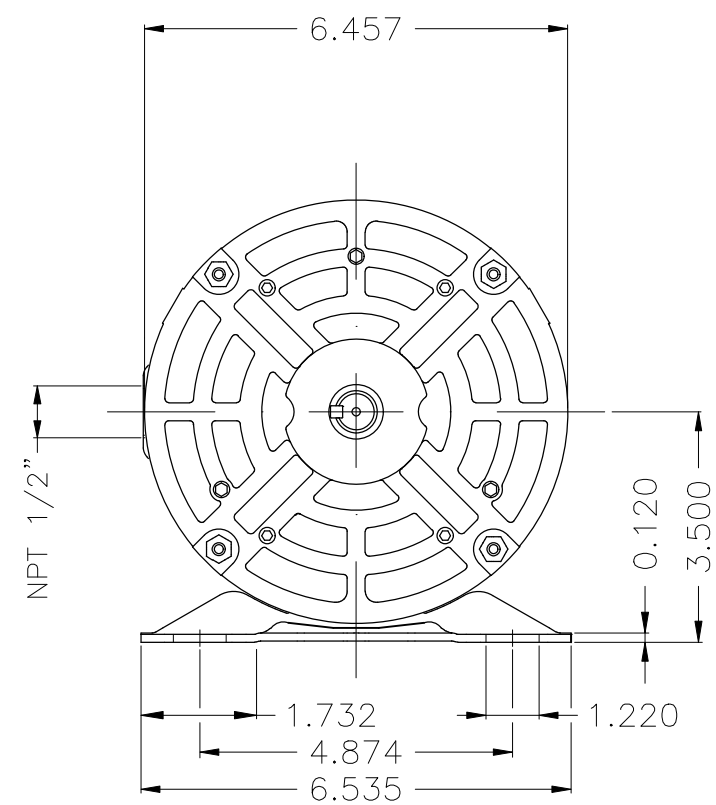


1 2 3 4 5 6

A
B
C
D
E



Color Munsell N 1 matte black											
Painting plan 207N											
Mounting F-1/B3R(D)											
								HYBRISUSER		00	
ECM	LOC	SUMMARY OF MODIFICATIONS					EXECUTED	CHECKED	RELEASED	DATE	VER
EXECUTED	HYBRISUSER	THREE PH. MOTOR ROLLED STEEL						PREVIEW			
CHECKED		FRAME 56 IP21 ODP						WDD	00		
RELEASED								SHEET	1 / 1		
REL. DATE		WMO	Jaragua do Sul	Product Engineering							

1 HP 04 Poles 60 Hz

A