

1

2

3

4

5

6

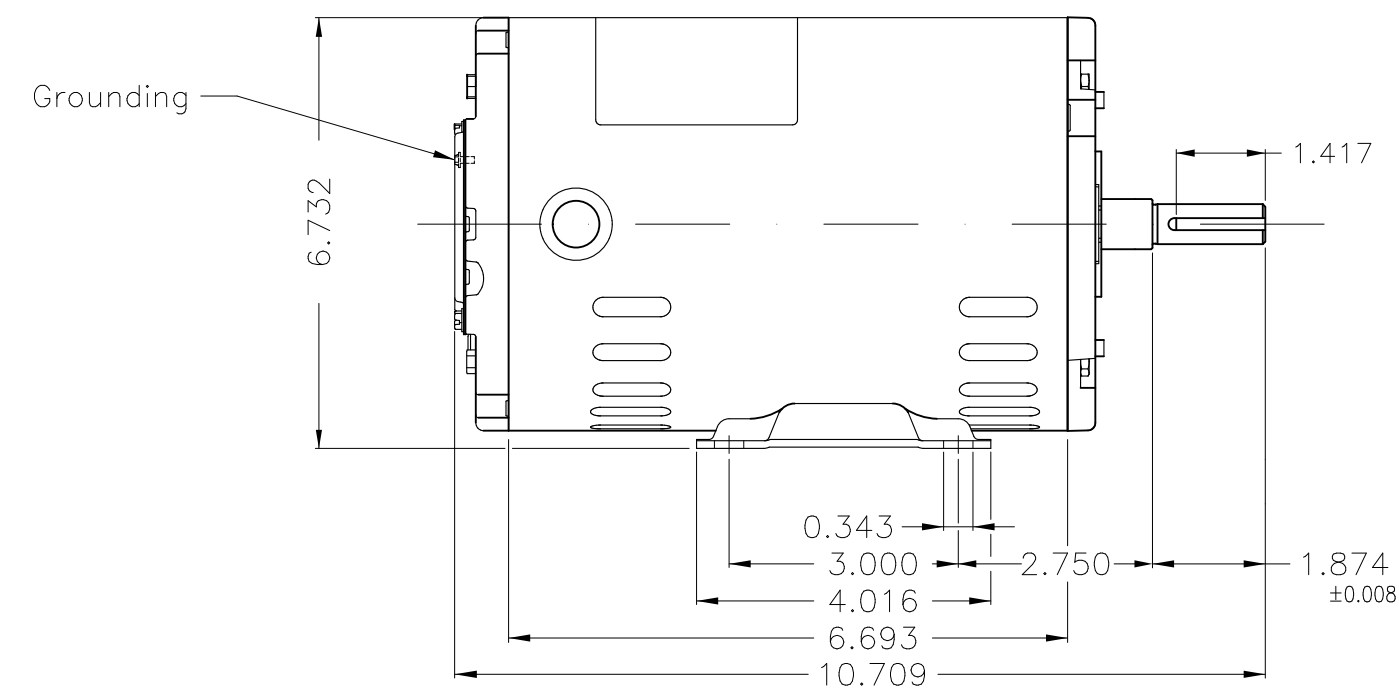
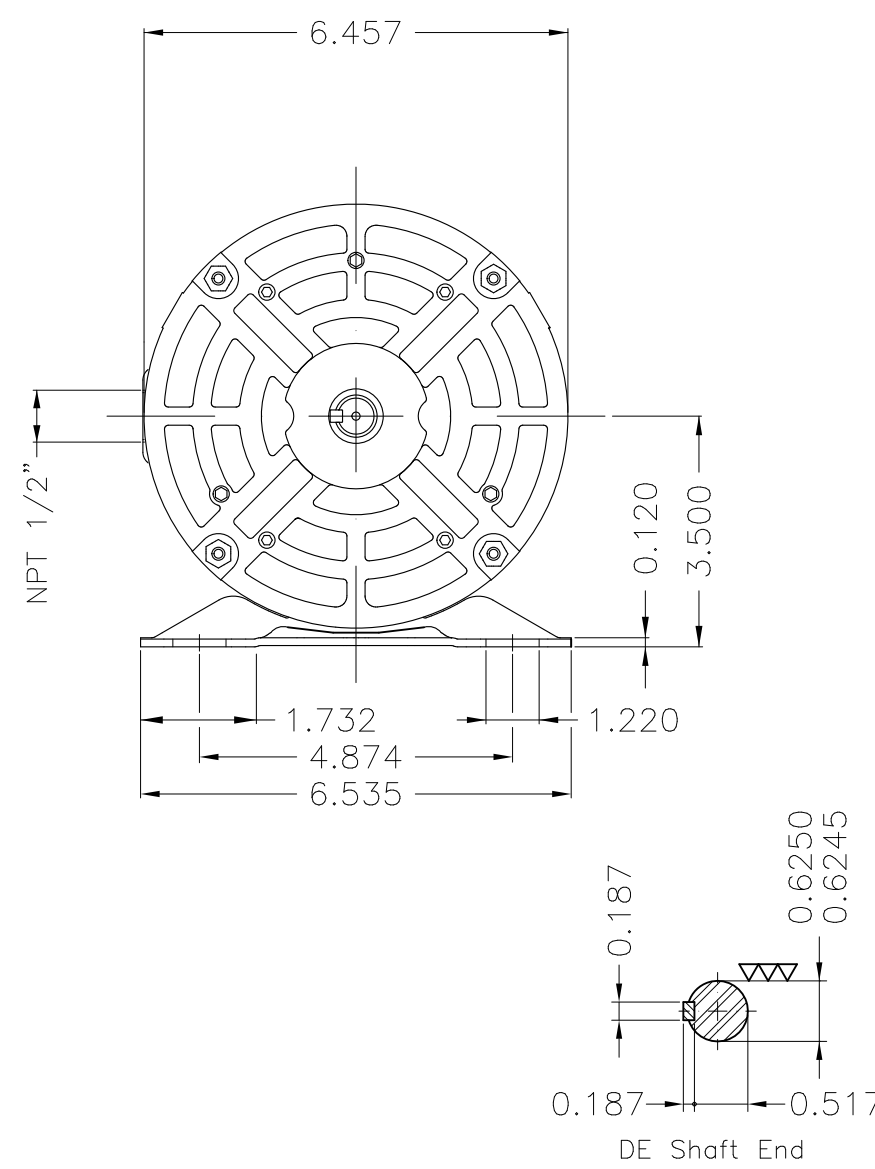
A

B

C

D

E



Color Munsell N 1 matte black

Painting plan 207N

Mounting F-1/B3R(D)

ECM	LOC	SUMMARY OF MODIFICATIONS	EXECUTED	CHECKED	RELEASED	DATE	VER
EXECUTED	HYBRISUSER	THREE PH. MOTOR ROLLED STEEL					
CHECKED		FRAME 56 IP21 ODP					
RELEASED							

REL. DATE	WMO	Jaragua do Sul	Product Engineering	HYBRISUSER	00	PREVIEW	WDD	00	
				SHEET	1 / 1				

1 HP 04 Poles 60 Hz

A