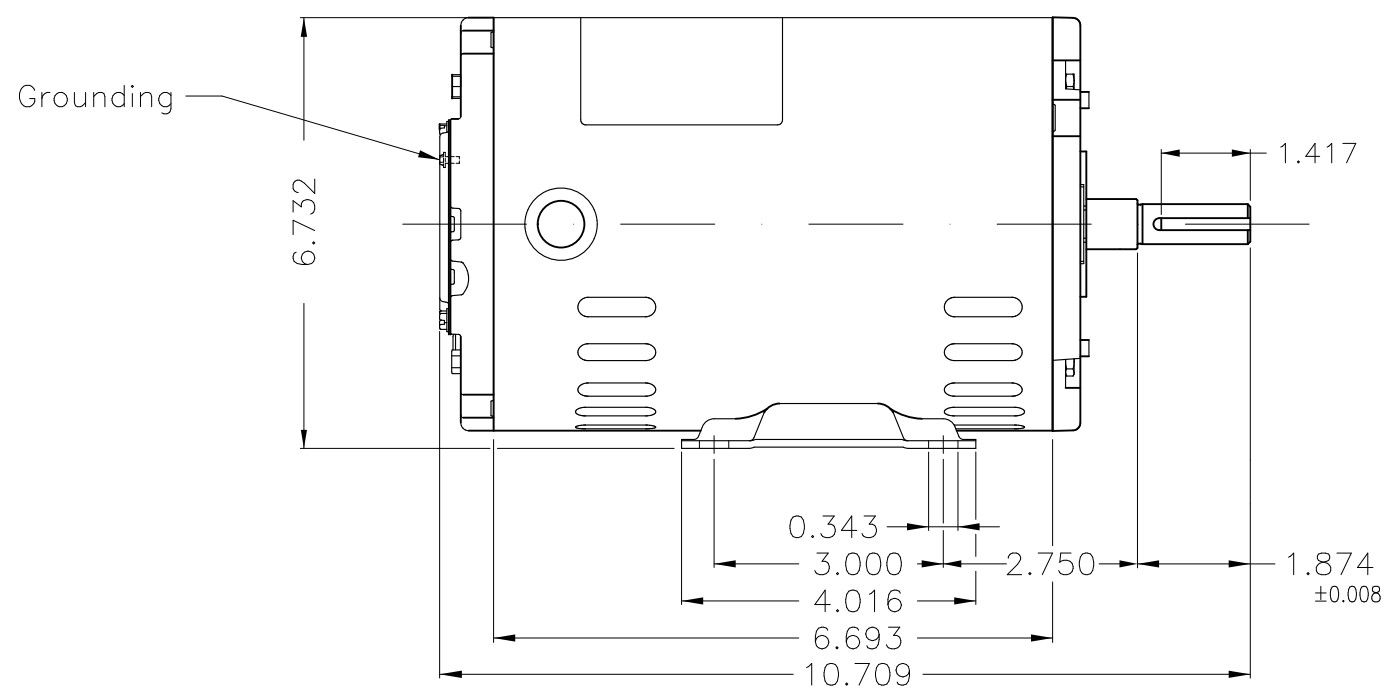
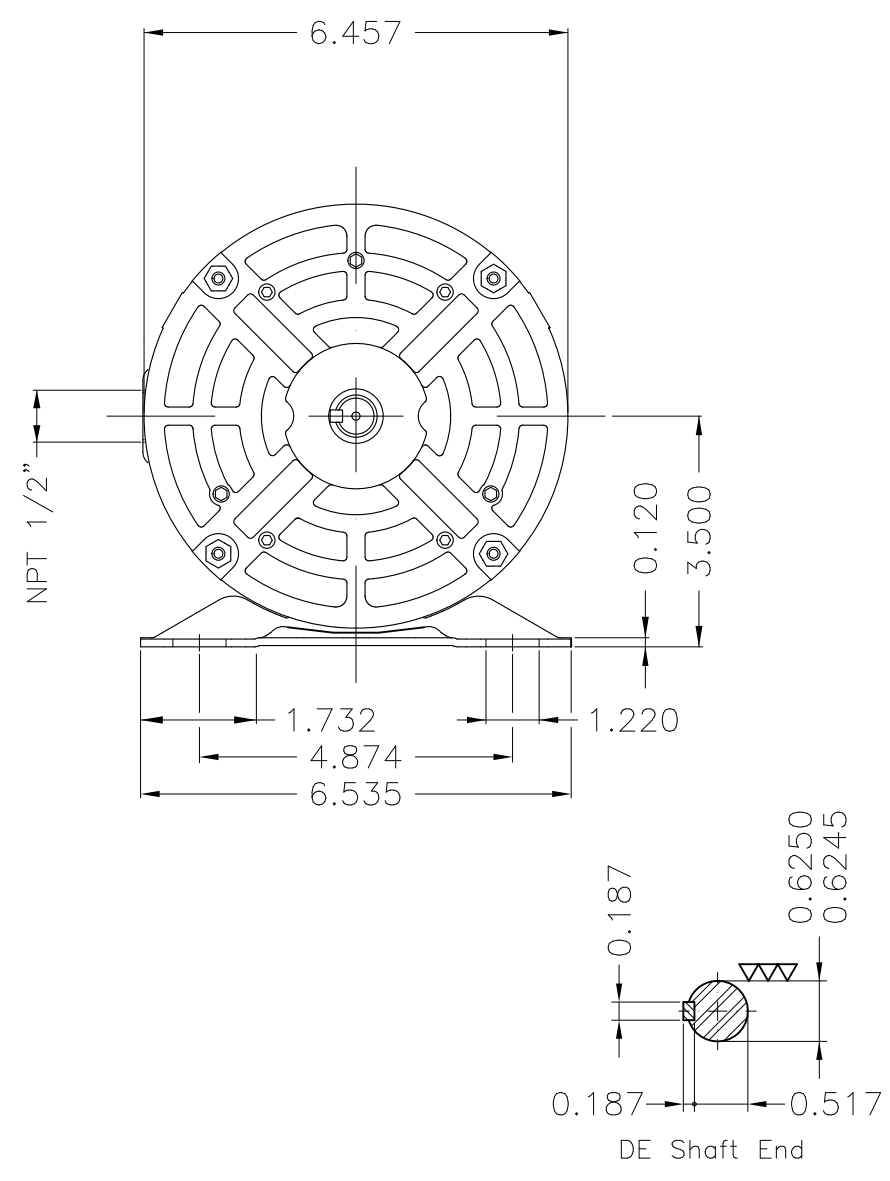


1 2 3 4 5 6

A
B
C
D
E



Color Munsell N 1 matte black									
Painting plan 207N									
Mounting F-1/B3R(D)									
						00			
ECM	LOC	SUMMARY OF MODIFICATIONS			EXECUTED	CHECKED	RELEASED	DATE	VER
EXECUTED	HYBRISUSER	THREE PH. MOTOR ROLLED STEEL				PREVIEW			
CHECKED		FRAME 56 IP21 ODP				WDD	00		
RELEASED						SHEET	1 / 1		
REL. DATE		WMO	Jaragua do Sul	Product Engineering					

0.75 HP 04 Poles 60 Hz

A