

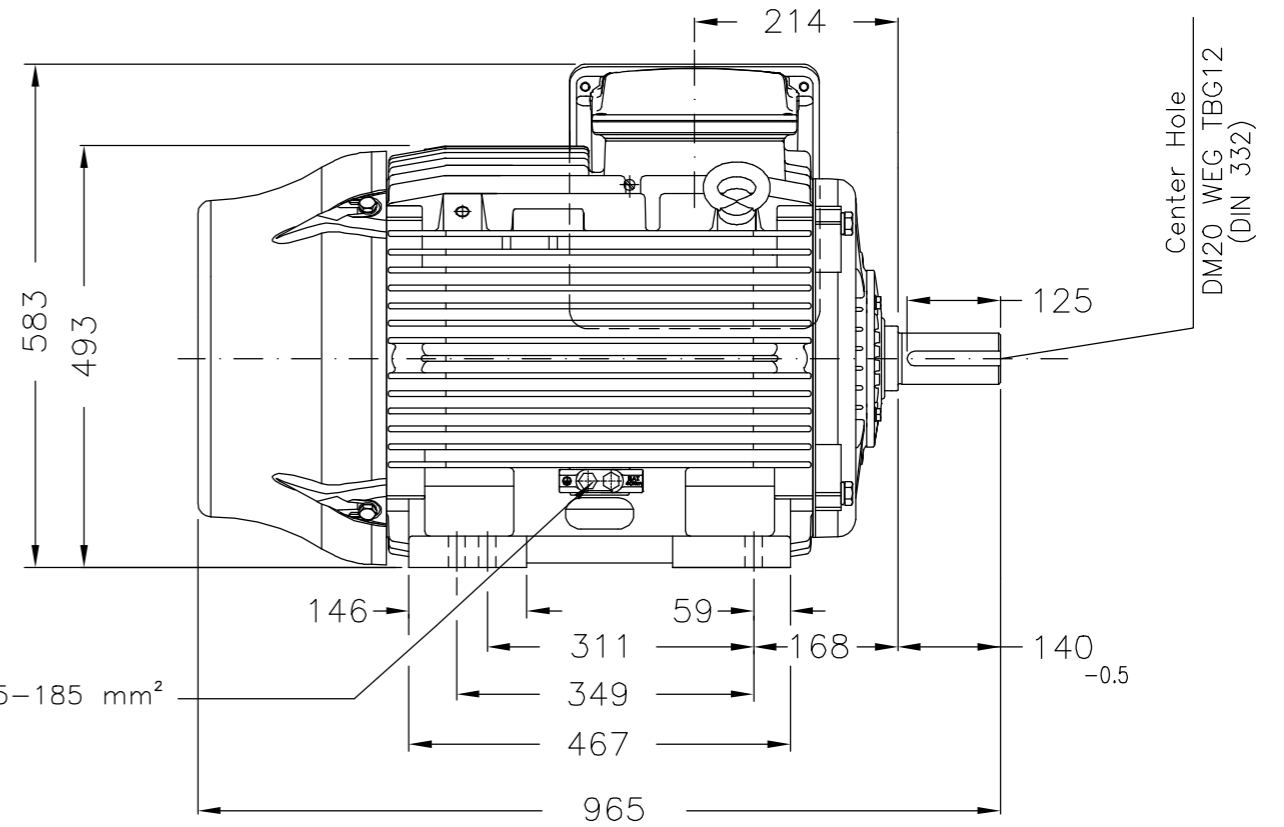
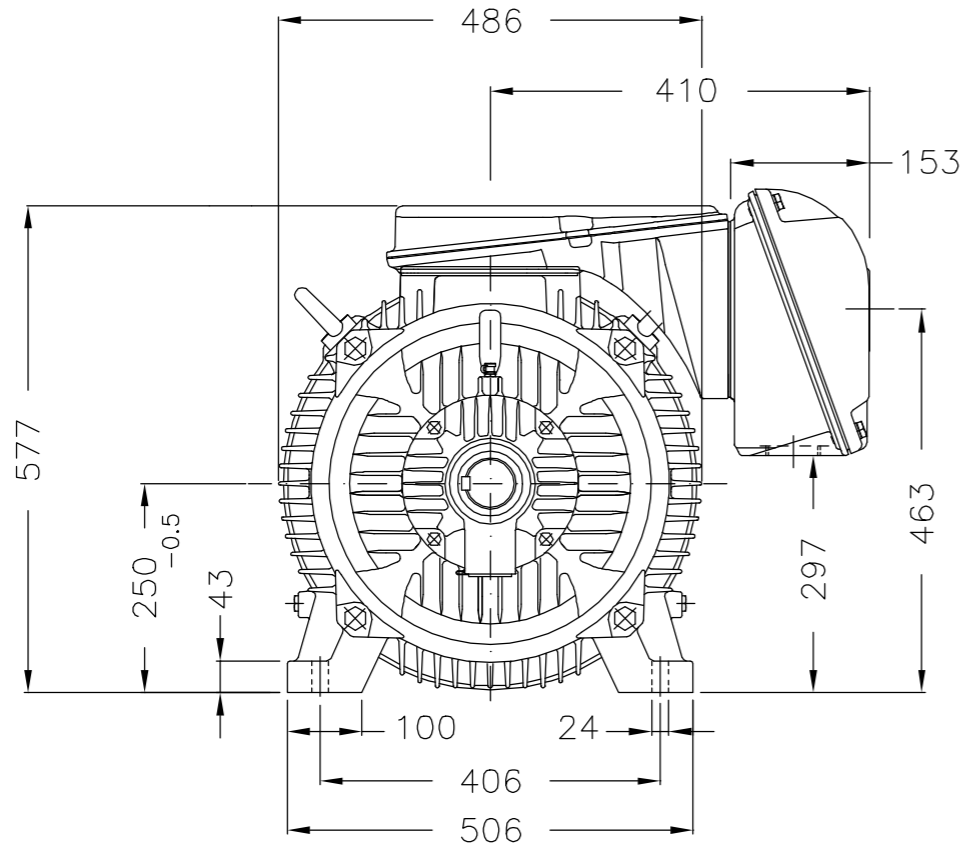
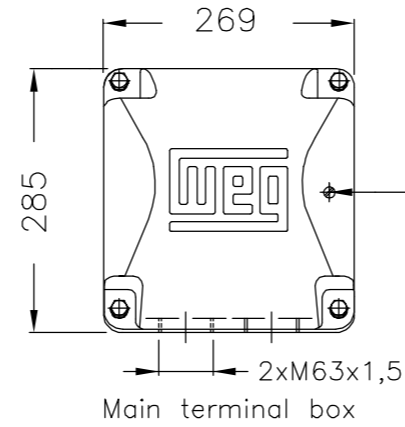
EIXO/SHAFT	
PADRÃO/STANDARD	X
OPCIONAL/OPTIONAL	
ESPECIAL/SPECIAL	

Dimensões em mm  
Dimensions in mm

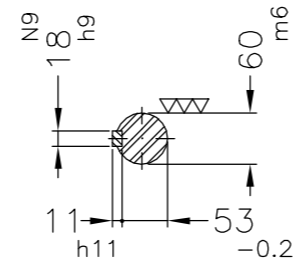
**CERTIFIED  
WEG MOTORES**

Certified document.  
Not subject to changes.

THIS IS AN UPDATED REVISION, THE  
PREVIOUS ONE MUST BE DISREGARDED.



Grounding for leads 25-185 mm<sup>2</sup>



DE Shaft End

Rolamento dianteiro de rolos NU-314 com gaiola de latão usinada /  
NU-314 DE roller bearing with machined brass squirrel cage  
Material do eixo - AISI/SAE 4140 / Shaft material - AISI/SAE 4140  
Dispositivo de travamento de eixo / Shaft locking device  
Plano de pintura 203A / Painting plan 203A  
Forma construtiva B3E / Mounting B3L(E)

**V.J. PAMENSKY CANADA INC.**

500001045790	DOCUMENTO NOVO	DVEGINI	NSCHMIDT	10.06.2015	00			
ECM	LOC	SUMMARY OF MODIFICATIONS		EXECUTED	CHECKED	RELEASED	DATE	VER
EXECUTED	DVEGINI	THREE PHASE W22 TRU-METRIC PREMIUM EFF						
CHECKED		FRAME 250S/M IP55						
RELEASED	NSCHMIDT							
REL DT	10.06.2015	WMO	JARAGUA DO SUL	ENGENHARIA DE PRODUTO	10003612943		000	00
				SHEET		1 / 1		

75 HP 02 Poles 60Hz 413886697/0 MEC

