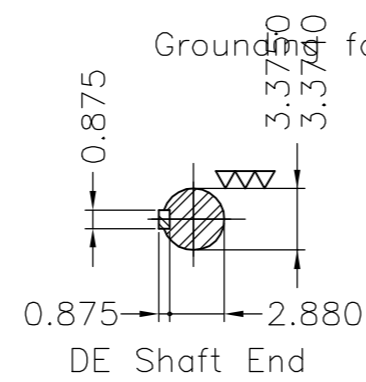
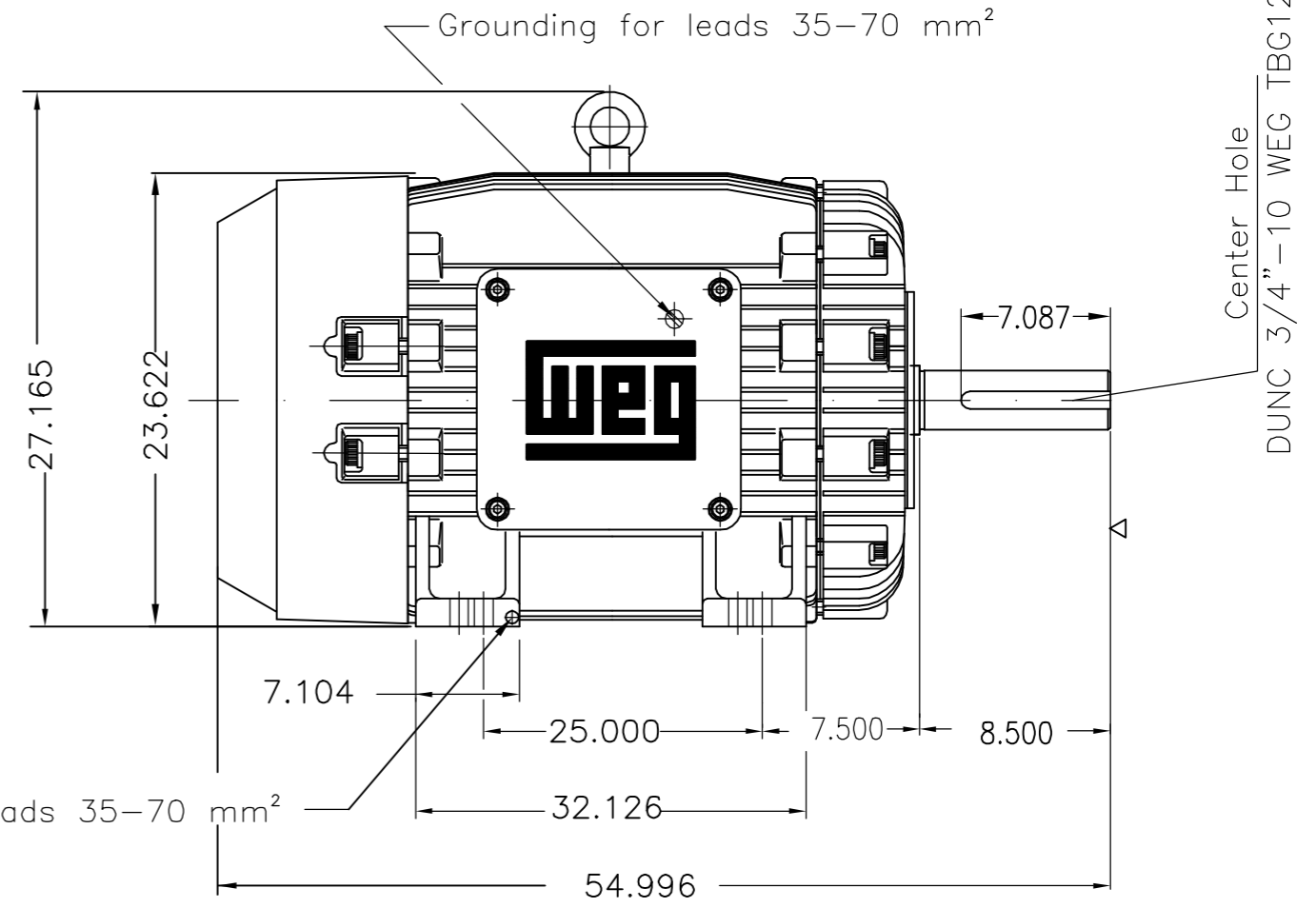
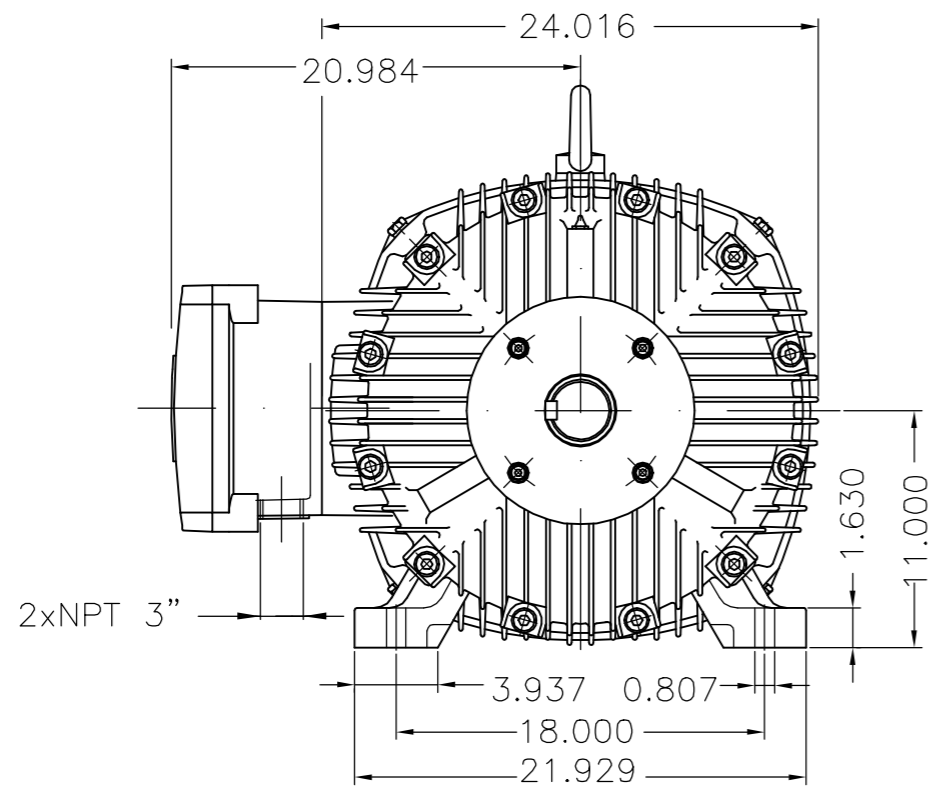


EIXO/SHAFT	
PADRÃO/STANDARD	X
OPCIONAL/OPTIONAL	
ESPECIAL/SPECIAL	

Dimensões em polegadas
Dimensions in inches

CERTIFIED WEG MOTORES
Certified document.
Not subject to changes.

THIS IS AN UPDATED REVISION, THE PREVIOUS ONE MUST BE DISREGARDED.



- Rolamento dianteiro de rolos / DE roller bearing
- Dispositivo de travamento de eixo / Shaft locking device
- Slinger fornecido em avulso / Slinger ring supplied loose
- Plano de pintura 202P / Painting plan 202P
- Forma construtiva NEMA F-1 / Mounting NEMA F-1
- Forma construtiva B3D / Mounting B3R(D)

V.J. PAMENSKY CANADA INC.

500001594952		ALTERADO CONF. CLAIM 415204042	RICLAV	DALTONR	DALTONR	27.05.2019	02
500001427824		REMOVED HIDDEN NOTE CODE 485	ERIC	MENSOR	MENSOR	13.03.2018	01
ECM	LOC	SUMMARY OF MODIFICATIONS	EXECUTED	CHECKED	RELEASED	DATE	VER
EXECUTED	AGIANE	THREE-PHASE EXPLOSION PROOF MOTOR					
CHECKED	PIRWUSER	FRAME 449T IP55					
RELEASED	PIRWUSER						
REL DT	05.06.2015	WMO	JARAGUA DO SUL	ENGENHARIA DE PRODUTO			

OV: 3663392

200 HP 04 Poles 60Hz

A

10003603939
000 | 02
SHEET 1 / 1

UNCONTROLLED COPY

RELEASED

ZME A3