

1 2 3 4 5 6

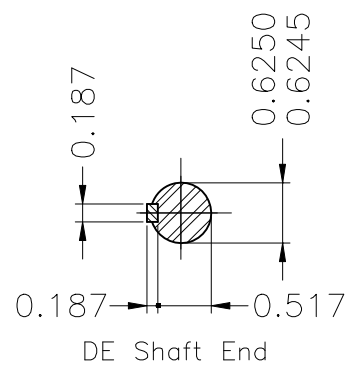
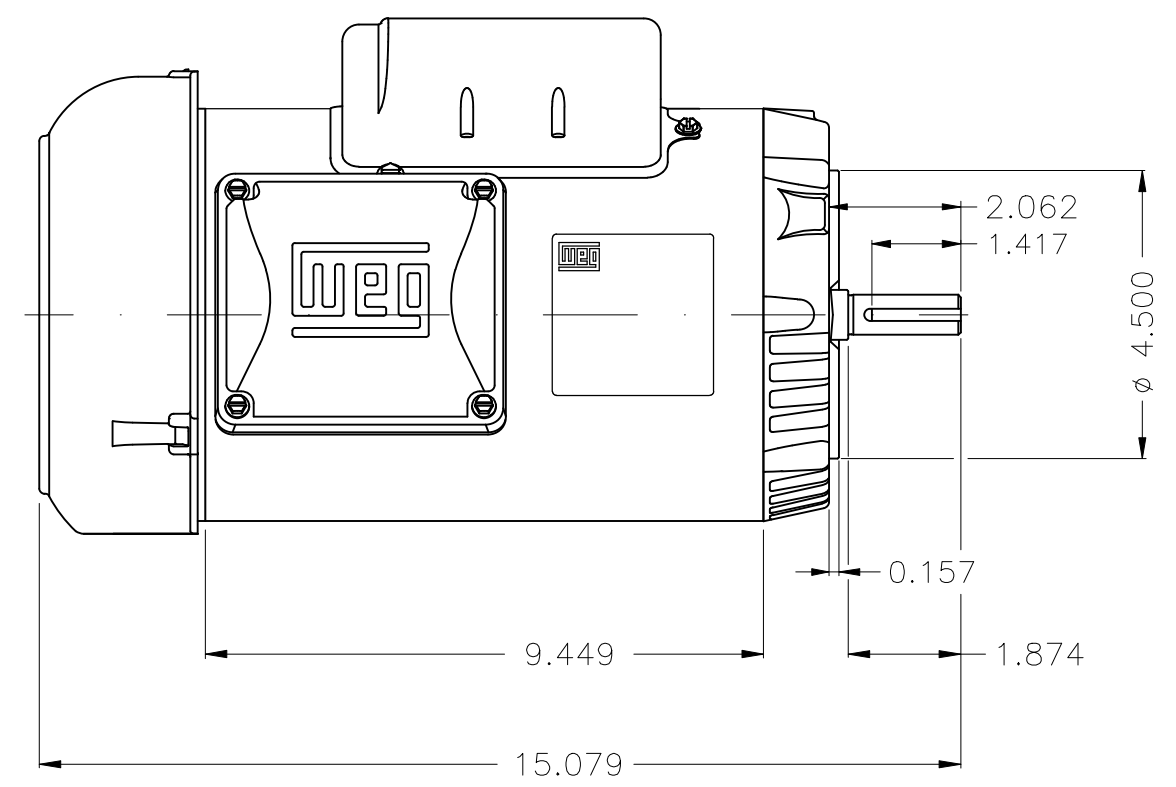
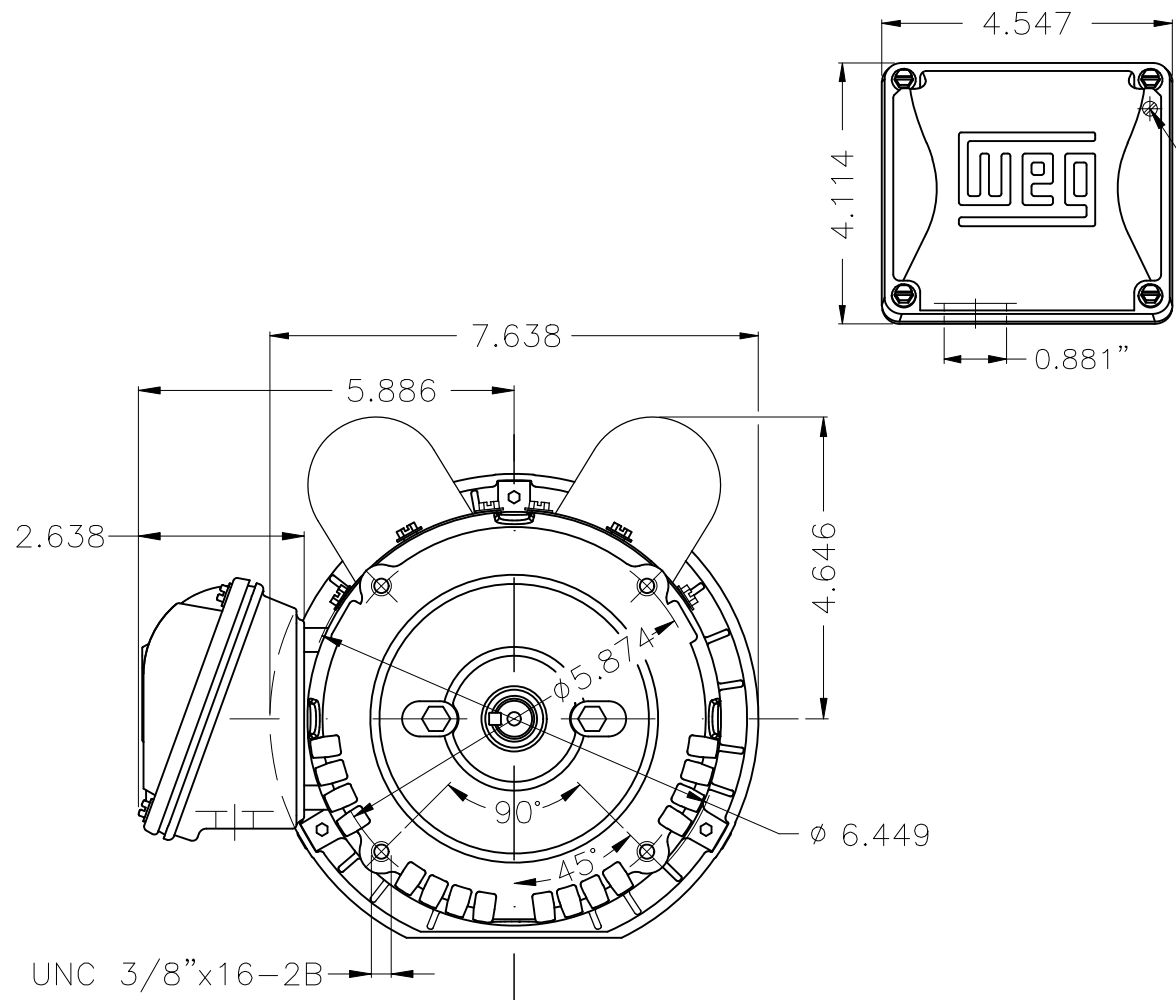
A

B

C

D

E



Dimensions in inches

Color Munsell N 1 matte black										
Painting plan 207N										
Mounting F-1/B14R(D)										
					HYBRISUSER	00				
ECM	LOC	SUMMARY OF MODIFICATIONS			EXECUTED	CHECKED	RELEASED	DATE	VER	
EXECUTED	HYBRISUSER	SINGLE PH. MOTOR ROLLED STEEL FRAME 56C IP55 TEFC			PREVIEW					
CHECKED					WDD		00			
RELEASED					SHEET		1 / 1			
REL. DATE		WMO	Jaragua do Sul	Product Engineering						

1.5 HP 04 Poles 60 Hz

A



XME A3