

1 2 3 4 5 6

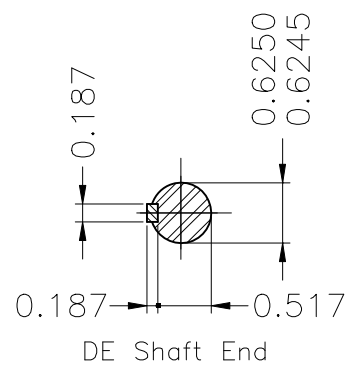
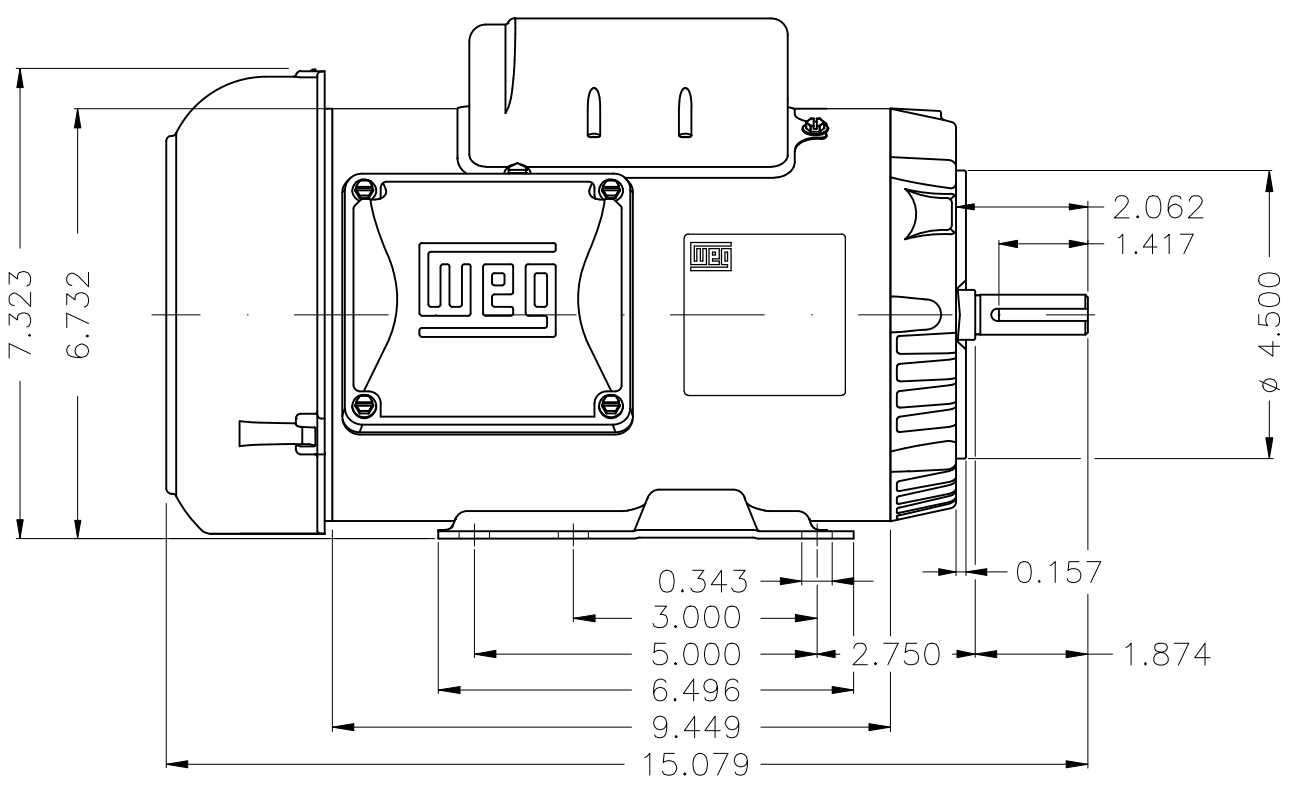
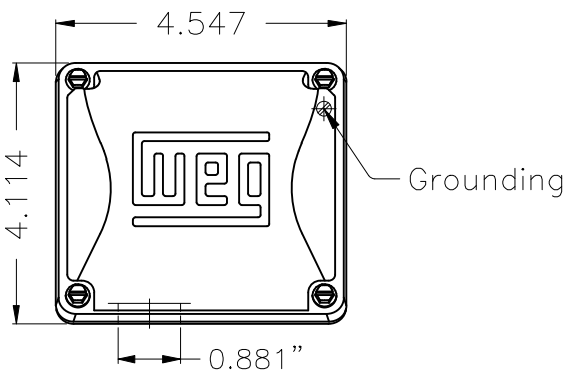
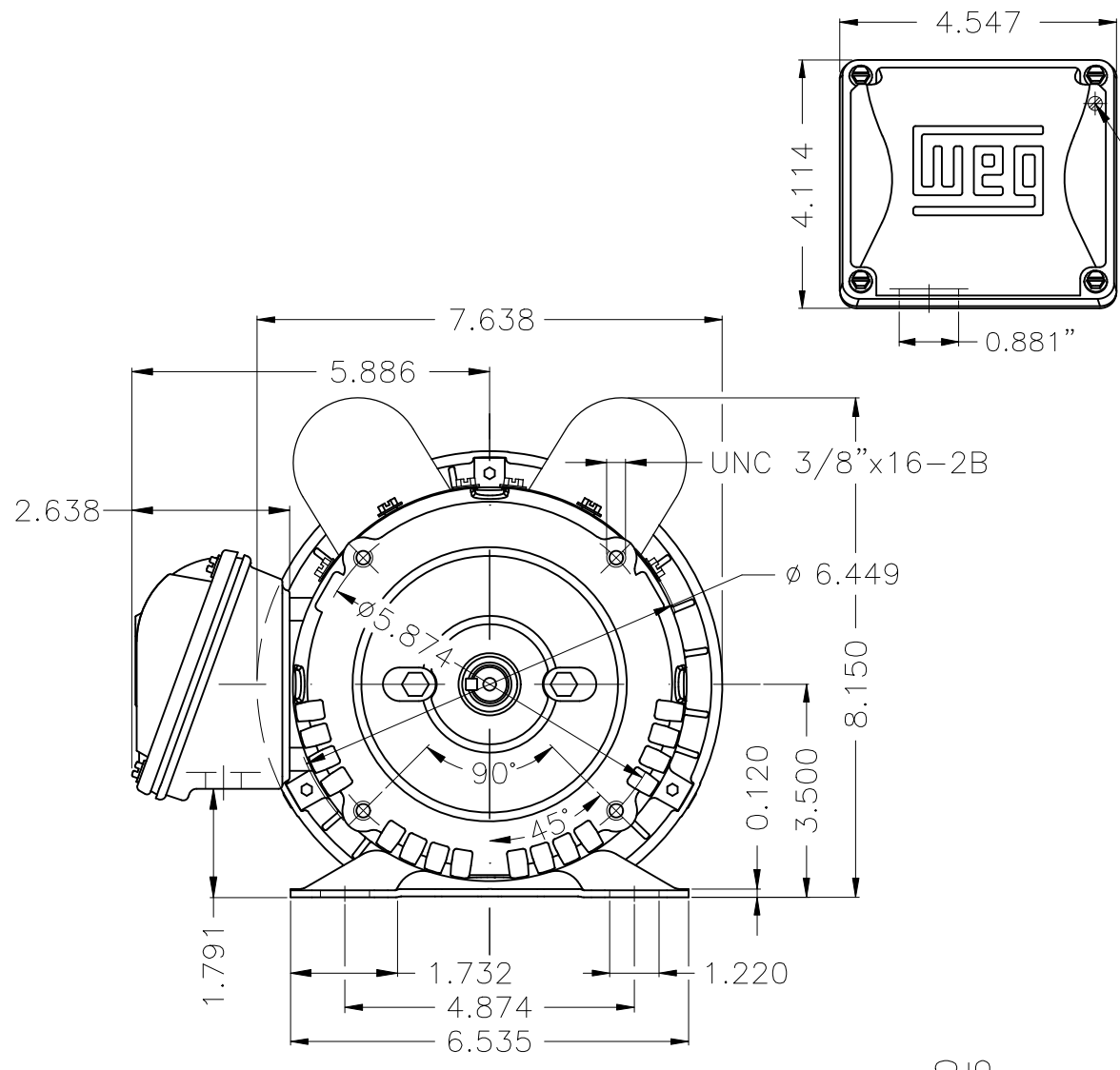
A

B

C

D

E



Color Munsell N 1 matte black										
Painting plan 207N										
Mounting B34D										
HYBRISUSER 00										
ECM	LOC	SUMMARY OF MODIFICATIONS				EXECUTED	CHECKED	RELEASED	DATE	VER
EXECUTED	HYBRISUSER	SINGLE PH. MOTOR ROLLED STEEL				PREVIEW		WDD 00		
CHECKED		FRAME 56HC IP55 TEFC				WDD		00		
RELEASED						SHEET		1 / 1		
REL. DATE		WMO	Jaragua do Sul	Product Engineering						

1.5 HP 04 Poles 60 Hz

A

Dimensions in inches XME A3

