

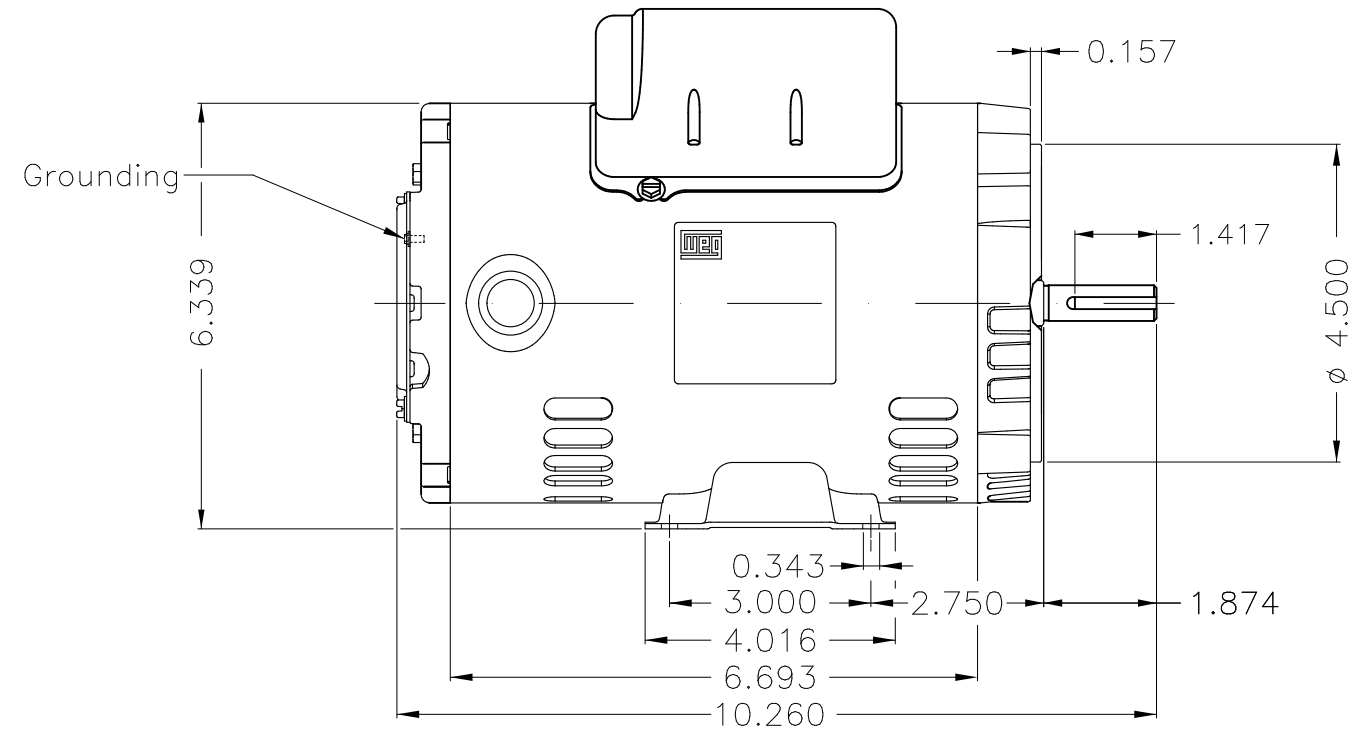
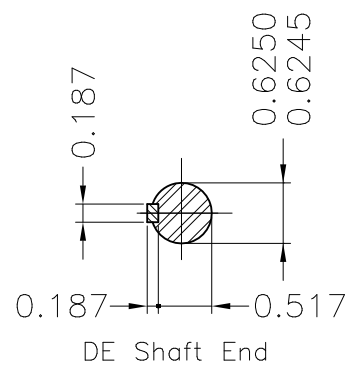
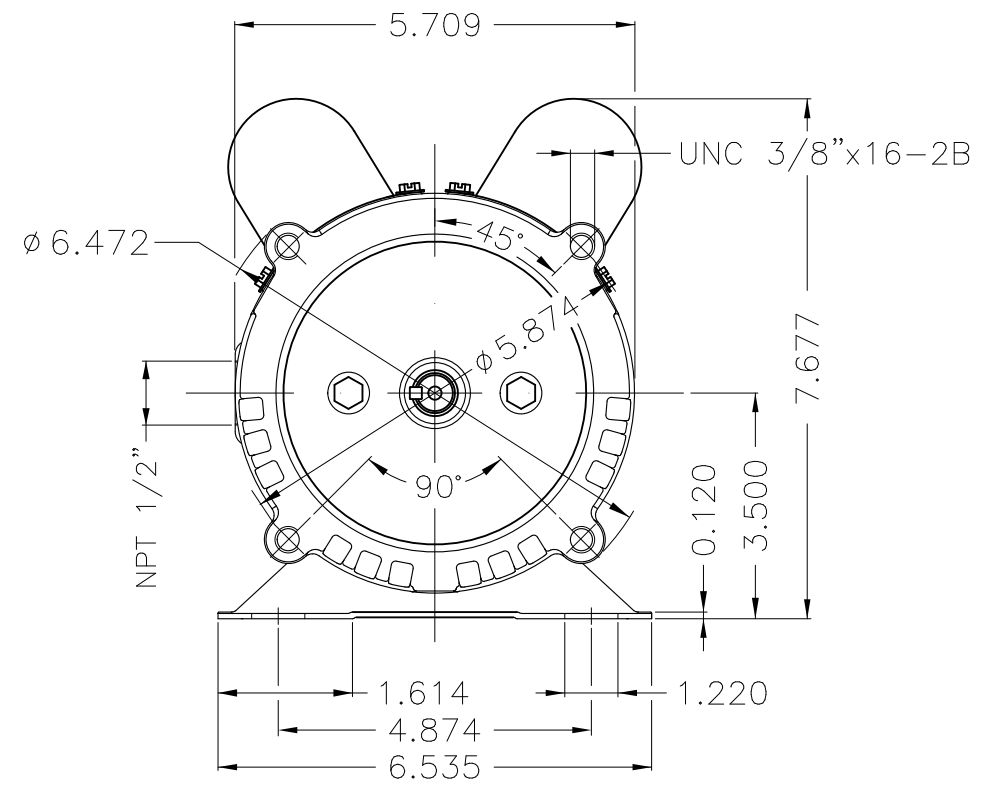
A

B

C

D

E



Mounting F-1/B34R(D)									
ECM	LOC	SUMMARY OF MODIFICATIONS			EXECUTED	CHECKED	RELEASED	DATE	VER
EXECUTED	HYBRISUSER	SINGLE PH. MOTOR ROLLED STEEL PREM. EFF.							00
CHECKED		FRAME W56C IP21 ODP							
RELEASED									
REL. DATE		WMO	Jaragua do Sul	Product Engineering					

0.33 HP 04 Poles 60 Hz

A PREVIEW WDD 00 SHEET 1 / 1

