

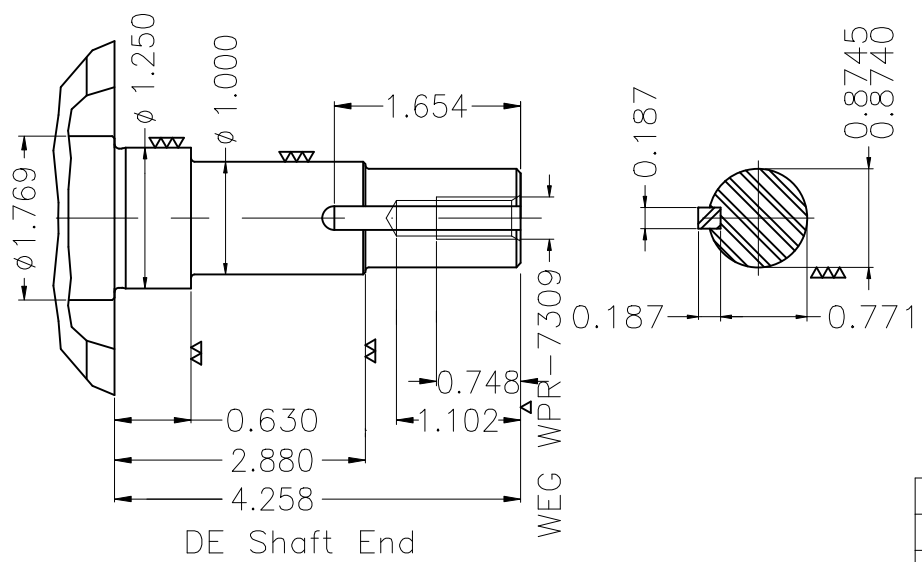
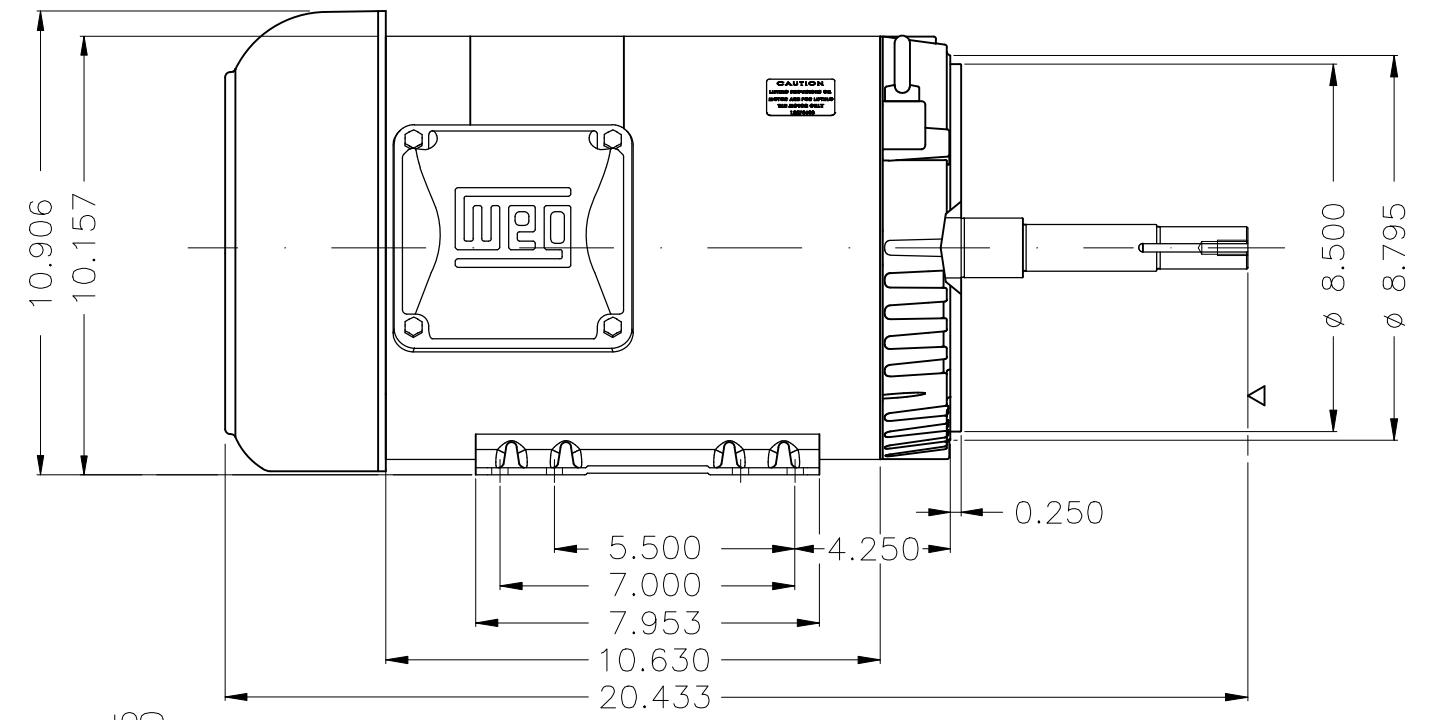
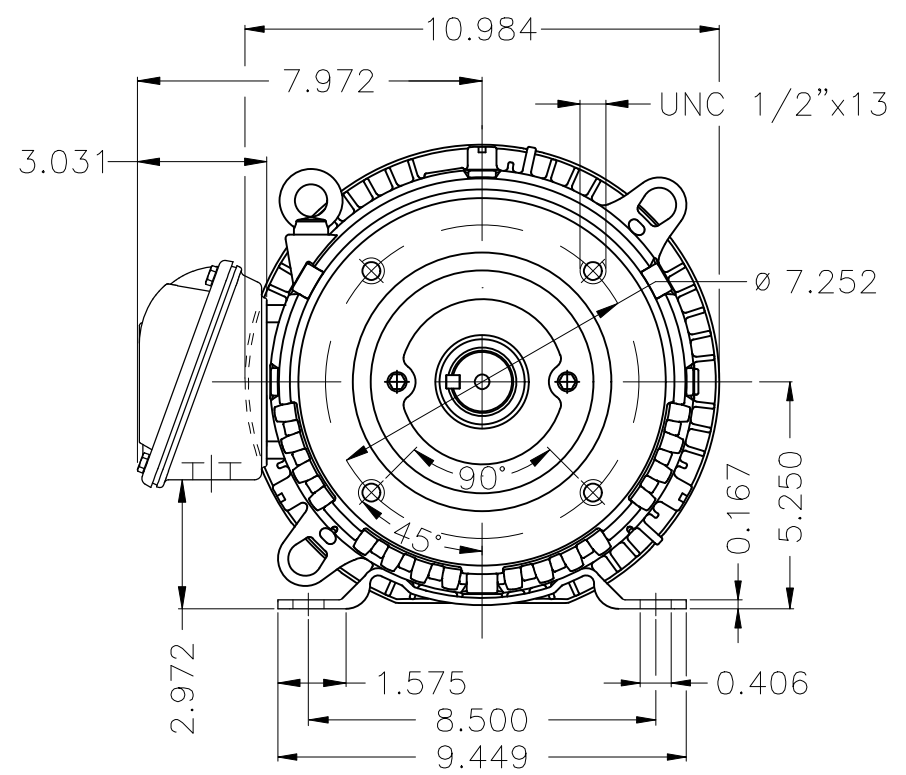
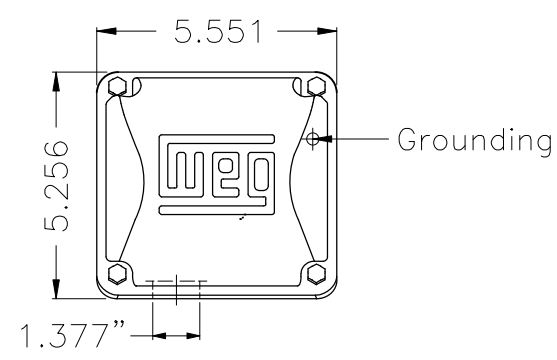
A

B

C

D

E



EUNC 3/8"-16 WEG WPR-7309

DE Shaft End

Color Munsell N 1 matte black
 Painting plan 207N
 Mounting B34D

ECM	LOC	SUMMARY OF MODIFICATIONS	EXECUTED	CHECKED	RELEASED	DATE	VER
EXECUTED	HYBRISUSER	THREE PH. MOTOR ROLLED STEEL JM NEMA PREM. EFF.					00
CHECKED		FRAME 213/5JM IP55 TEFC					
RELEASED							
REL. DATE	WMO	Jaragua do Sul	Product Engineering	WDD	00	1 / 1	

10 HP 04 Poles 60 Hz

A

