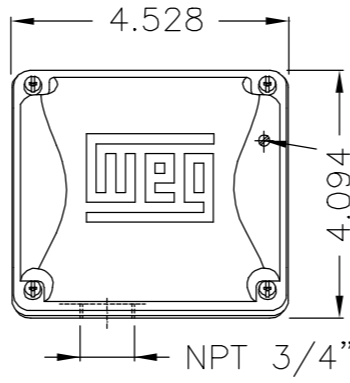


EIXO/SHAFT	
PADRÃO/STANDARD	Dimensões em polegadas
OPCIONAL/OPTIONAL	Dimensions in inches
ESPECIAL/SPECIAL	X

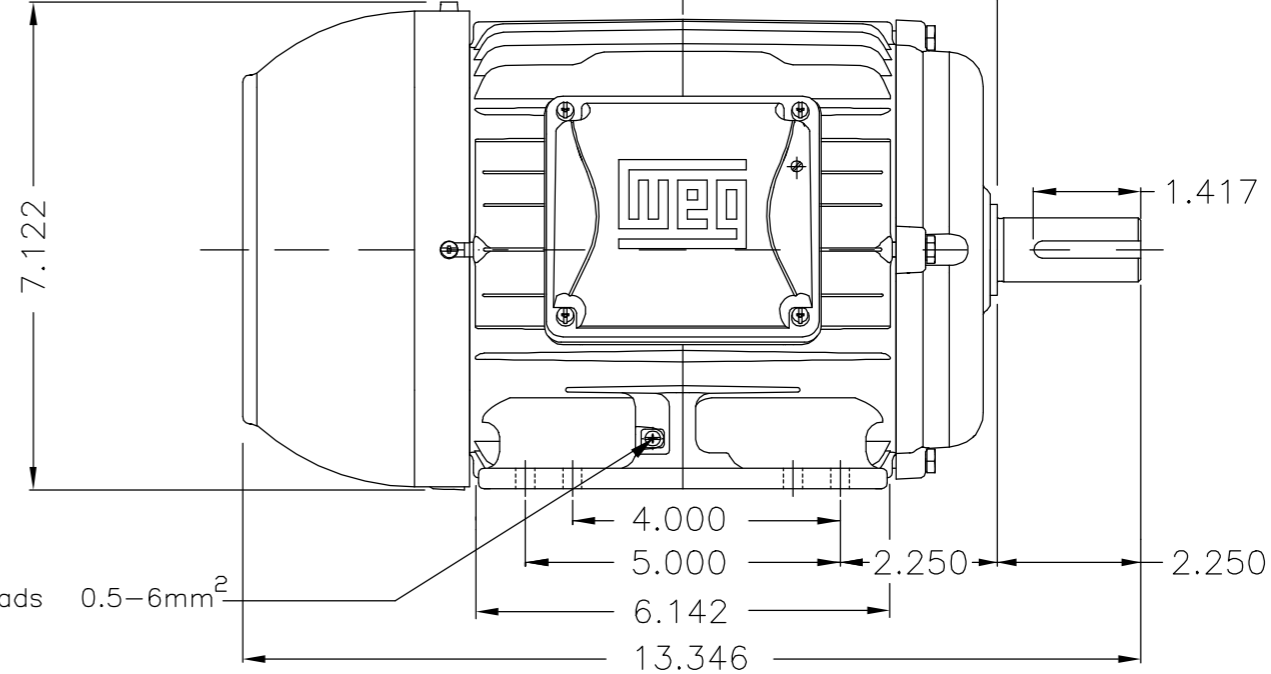
CERTIFIED WEG MOTORES
 Certified document.
 Not subject to changes.

THIS IS AN UPDATED REVISION, THE PREVIOUS ONE MUST BE DISREGARDED.

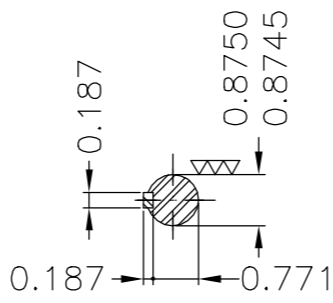
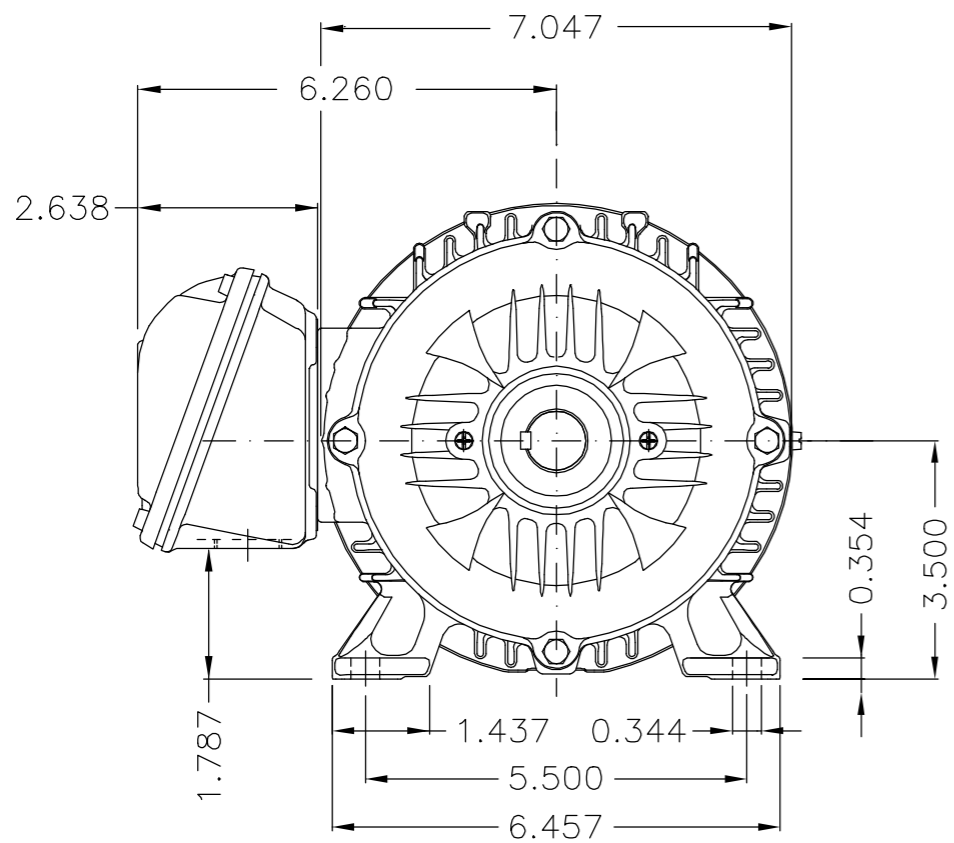


Grounding for leads 0.5–6mm²

Main terminal box



Grounding for leads 0.5–6mm²



DE Shaft End

- Saída de graxa conforme IEEE841 / Grease outlet according to IEEE841
- Motor com características IEEE841 / Motor with IEEE841 characteristics
- Vedação – labirinto Taconite / Sealing – Taconite labyrinth
- Ventilador de plástico condutivo / Conductive plastic fan
- Anel de fixação do rolamento / Bearing cap
- Graxeira em aço inoxidável / Stainless Steel Grease fitting
- Planicidade especial dos pés conforme IEEE841/API 541 / Special foot flatness according IEEE841/API 541
- Tampa defletora – ferro fundido / Cast iron fan cover
- Dreno Roscado Tipo "T" / Type "T" threaded drain plug
- Aplicar óleo Tirroil nos encaixes das tampas / Tirroil oil on endshields fittings
- Pintura interna tropicalizada conforme IEEE841 / Internal tropicalized painting according to IEEE841
- Balanceamento especial 1/2 chaveta / Special balancing with half key
- Chaveta B / B key
- Plano de pintura 202E / Painting plan 202E
- Forma construtiva NEMA F-1 / Mounting NEMA F-1
- Forma construtiva B3D / Mounting B3R(D)

V.J. PAMENSKY CANADA INC.

500001086698		ALT.DISTÂNCIA FUNDO CHAVETA	ALESOMZ	MENSOR	21.09.2015	01
500001000211		DOCUMENTO NOVO	DVEGINI	NSCHMIDT	19.02.2015	00
ECM	LOC	SUMMARY OF MODIFICATIONS	EXECUTED	CHECKED	RELEASED	DATE VER
EXECUTED	DVEGINI	THREE PHASE W22 MOTOR - HIGH EFF			10003367290	000 01
CHECKED		FRAME 143/5TZ IP55				
RELEASED	NSCHMIDT					
REL DT	19.02.2015	WMO	JARAGUA DO SUL	ENGENHARIA DE PRODUTO	SHEET	1 / 1

0.5 HP 04 Poles 60Hz 413747322/0 ELET

A



UNCONTROLLED COPY

RELEASED

ZME A3