

1 2 3 4 5 6

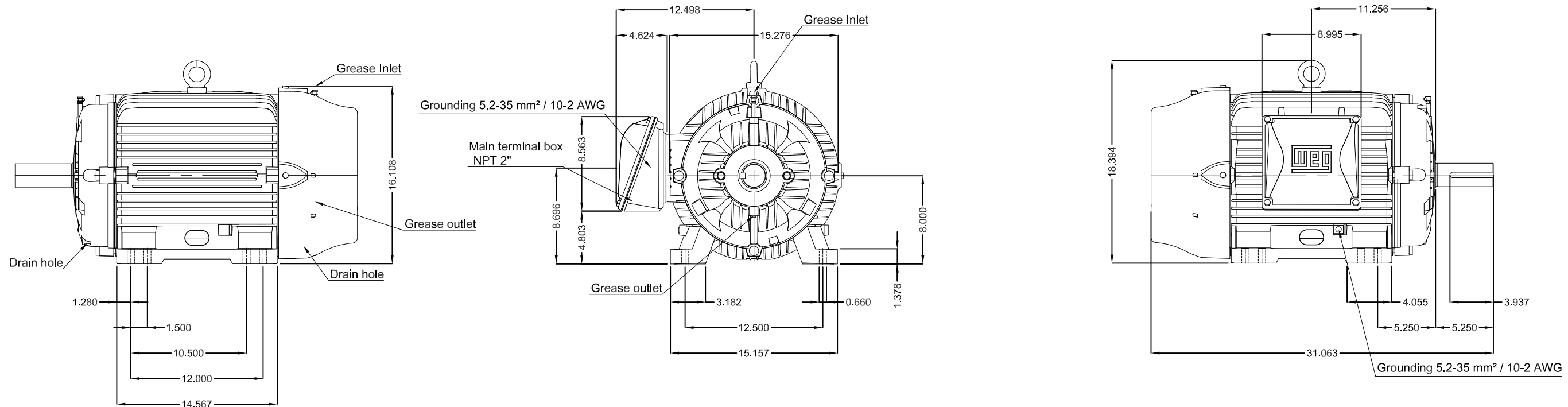
A

B

C

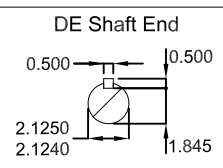
D

E



20 HP 08 Poles 60 Hz A

Without vertical jackscrews  
 Grease outlet according to IEEE841  
 Color RAL 5009  
 Painting plan 222E  
 Mounting NEMA F-1  
 Mounting B3R(D)



ECM	LOC	SUMMARY OF MODIFICATIONS	HYBRISUSER	EXECUTED	CHECKED	RELEASED	DATE	VER
EXECUTED	HYBRISUSER	THREE PH. MOTOR IEEE 841 W22 NEMA PREM. EFF.	HYBRISUSER					00
CHECKED		FRAME 324/6T IP56 TEFC						
RELEASED								
REL. DATE								

PREVIEW  
 WDD 00  
 SHEET /