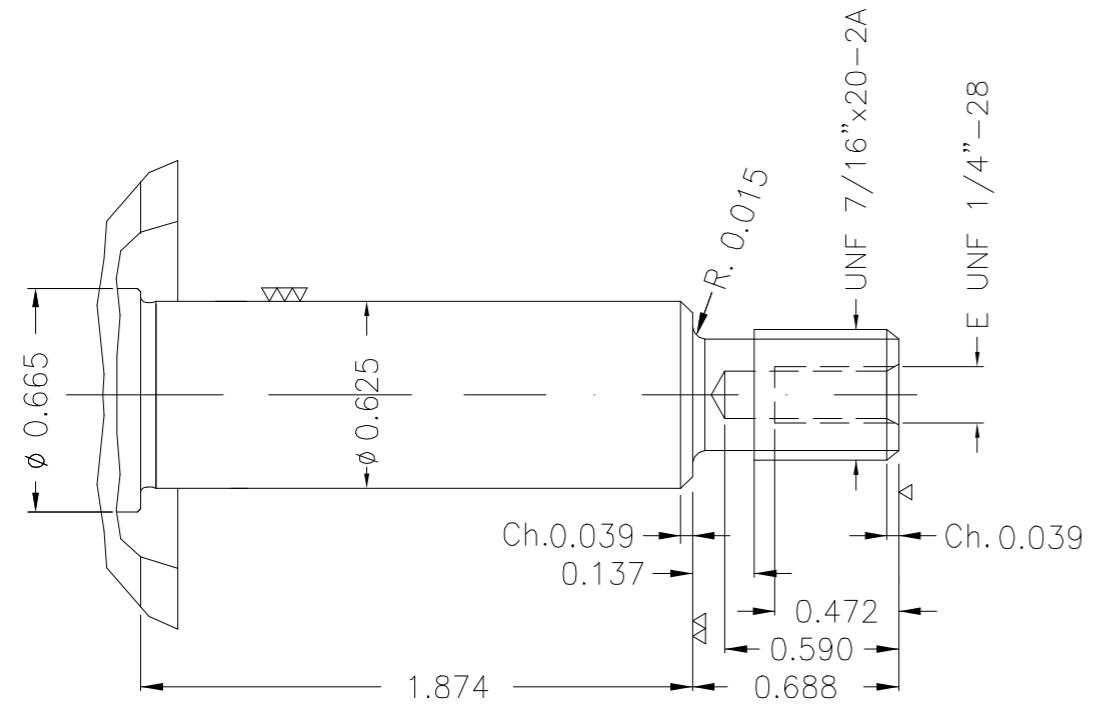
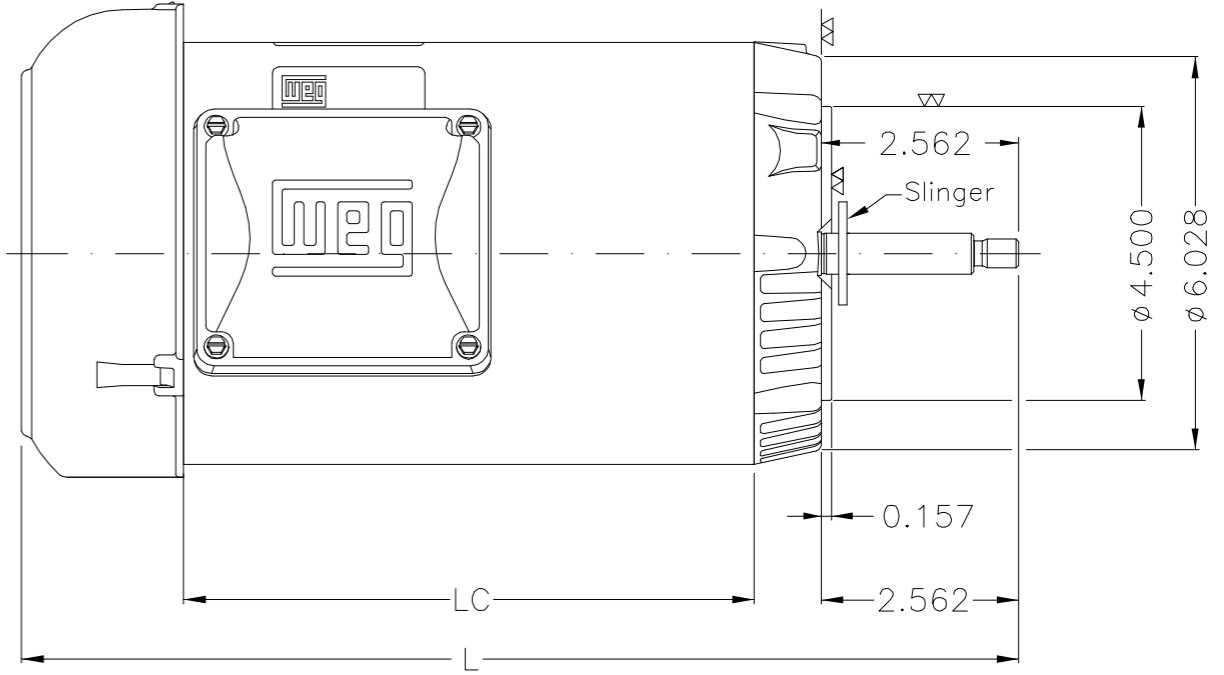
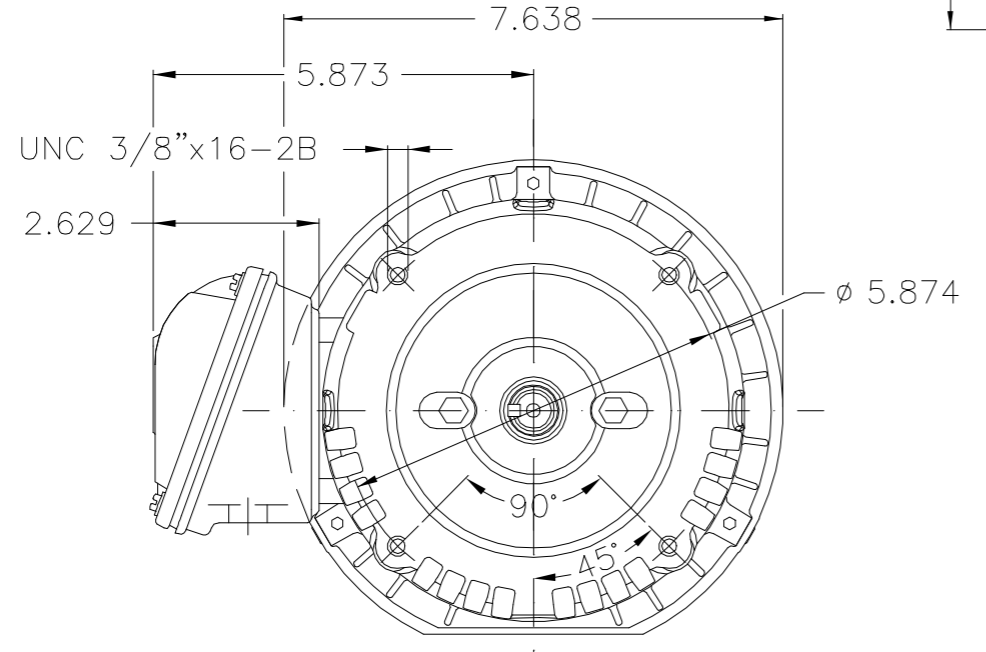
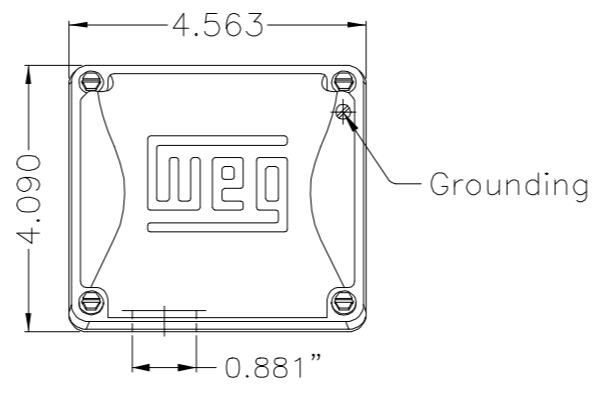


EIXO/SHAFT	
PADRÃO/STANDARD	X
OPCIONAL/OPTIONAL	
ESPECIAL/SPECIAL	

Dimensões em polegadas
Dimensions in inches

THIS IS AN UPDATED REVISION, THE PREVIOUS ONE MUST BE DISREGARDED.



A
B
C
D
E

UNCONTROLLED COPY
RELEASED
ZME A3

				LC	L	
1 HP	04 Poles	60Hz	413557111	6.693	12.832	C
1.5 HP	04 Poles	60Hz	413557184	7.480	13.620	B
2 HP	04 Poles	60Hz	413556897	8.268	14.408	A

Plano de pintura 207N / Painting plan 207N
Forma construtiva B14D / Mounting F-1/B14R(D)
V.J. PAMENSKY CANADA INC.

500000935211	DOCUMENTO NOVO	PATRICKL	JTOGNERI	05.09.2014	00	
ECM	LOC	EXECUTED	CHECKED	RELEASED	DATE	VER
EXECUTED	PATRICKL	THREE PHASE MOTOR TEFC ROLLED STEEL FRAME 56J IP55	10003078763			
CHECKED			000	00		
RELEASED	JTOGNERI		SHEET 1 / 1			
REL DT	05.09.2014	WMO	JARAGUA DO SUL	ENGENHARIA DE PRODUTO		