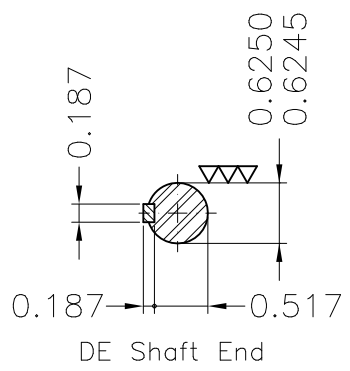
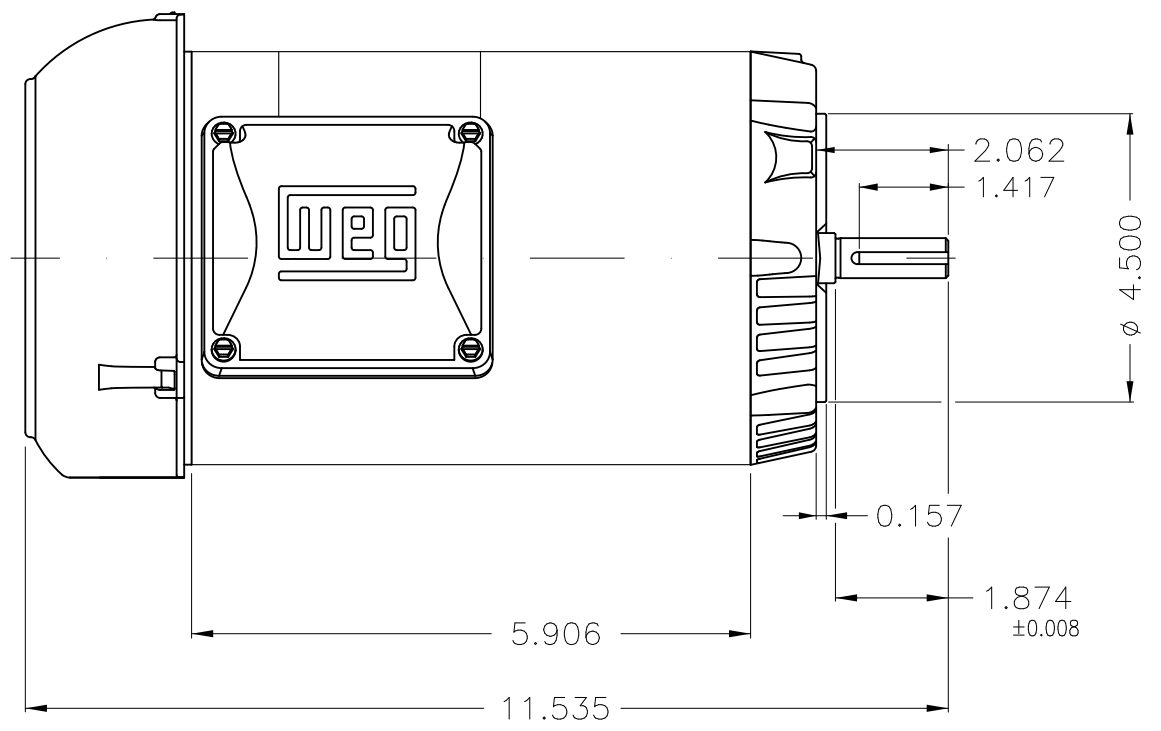
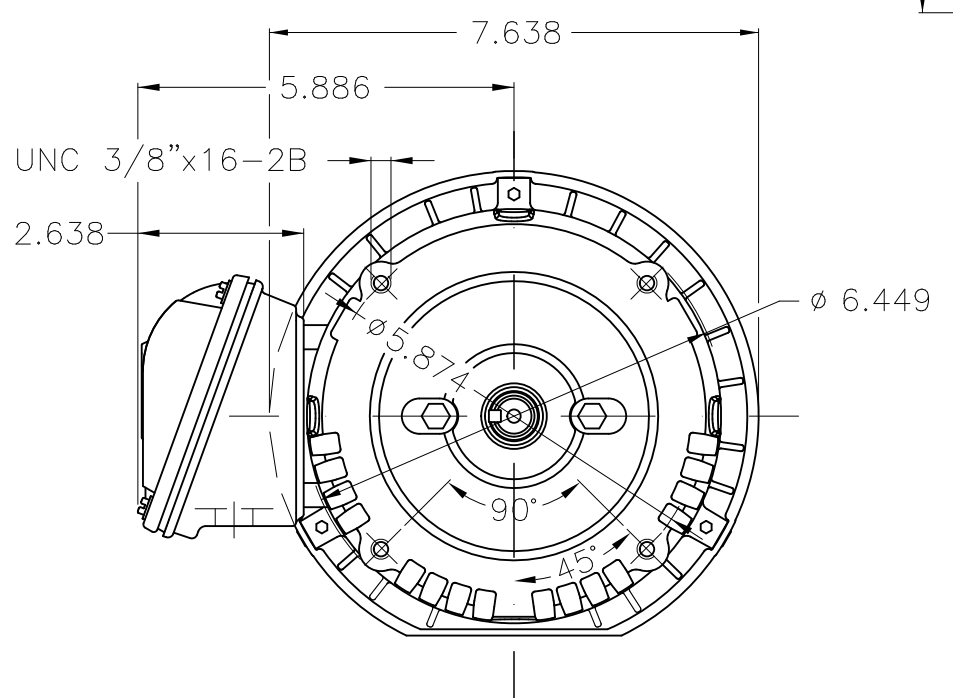
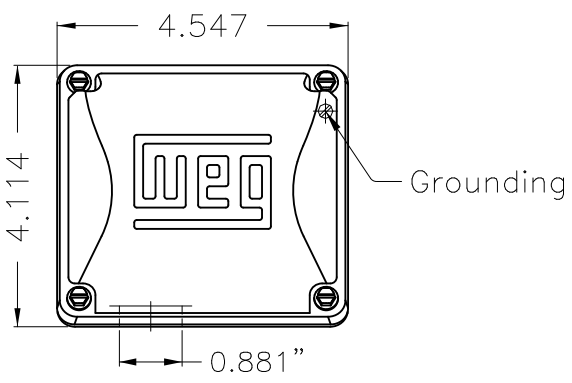


1 2 3 4 5 6

A
B
C
D
E



Color Munsell N 1 matte black
 Painting plan 207N
 Mounting F-1/B14R(D)

| | | | | | | | | | | | | | | | |
|-----------|------------|------------------------------|--|---------------------|--|------------|---------|----------|------|-----|--|--|--|----|--|
| | | | | | | HYBRISUSER | | | | | | | | 00 | |
| ECM | LOC | SUMMARY OF MODIFICATIONS | | | | EXECUTED | CHECKED | RELEASED | DATE | VER | | | | | |
| EXECUTED | HYBRISUSER | THREE PH. MOTOR ROLLED STEEL | | | | | | PREVIEW | | | | | | | |
| CHECKED | | FRAME 56C IP55 TEFC | | | | | | WDD 00 | | | | | | | |
| RELEASED | | | | | | | | | | | | | | | |
| REL. DATE | | WMO Jaragua do Sul | | Product Engineering | | SHEET | | 1 / 1 | | | | | | | |

0.5 HP 04 Poles 60 Hz



Dimensions in inches XME A3