

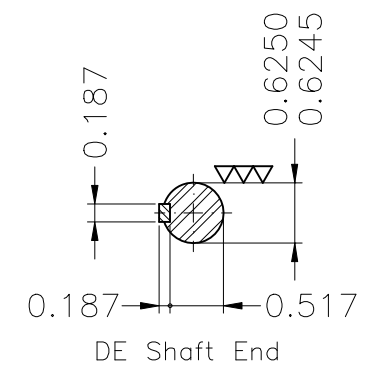
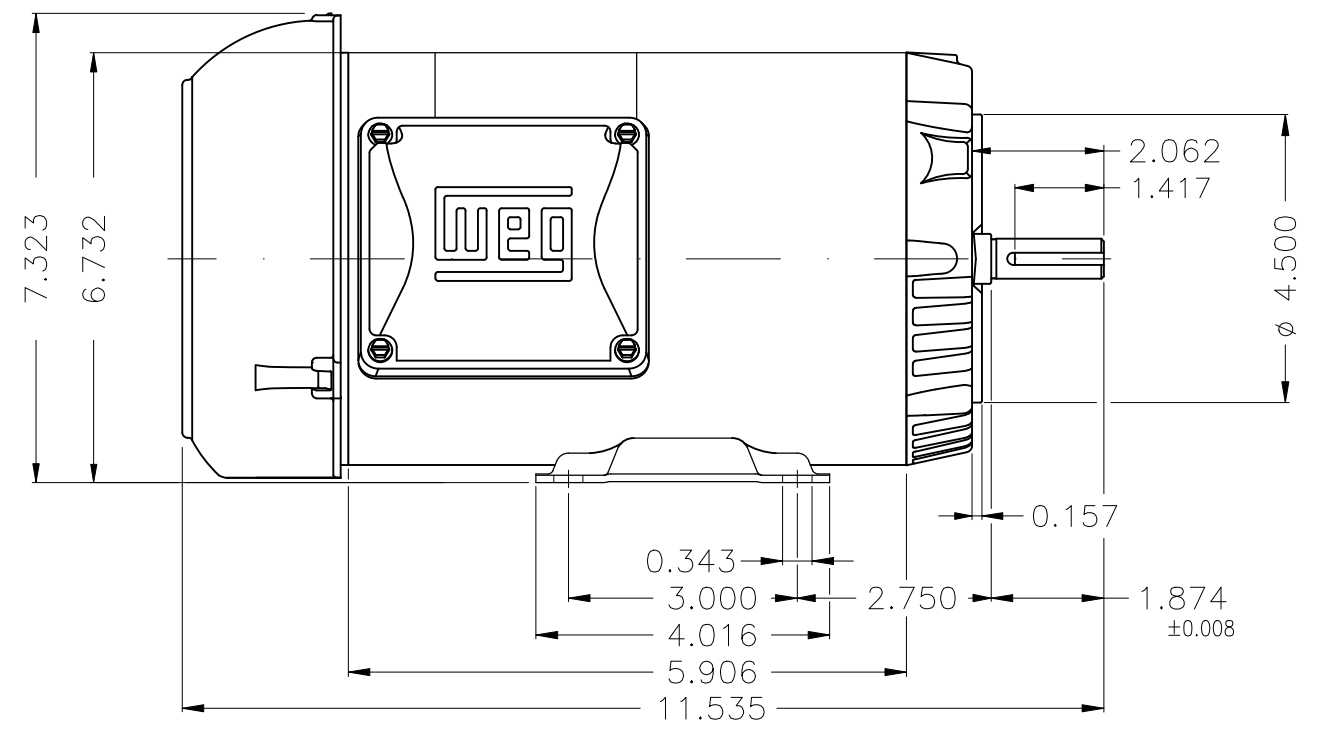
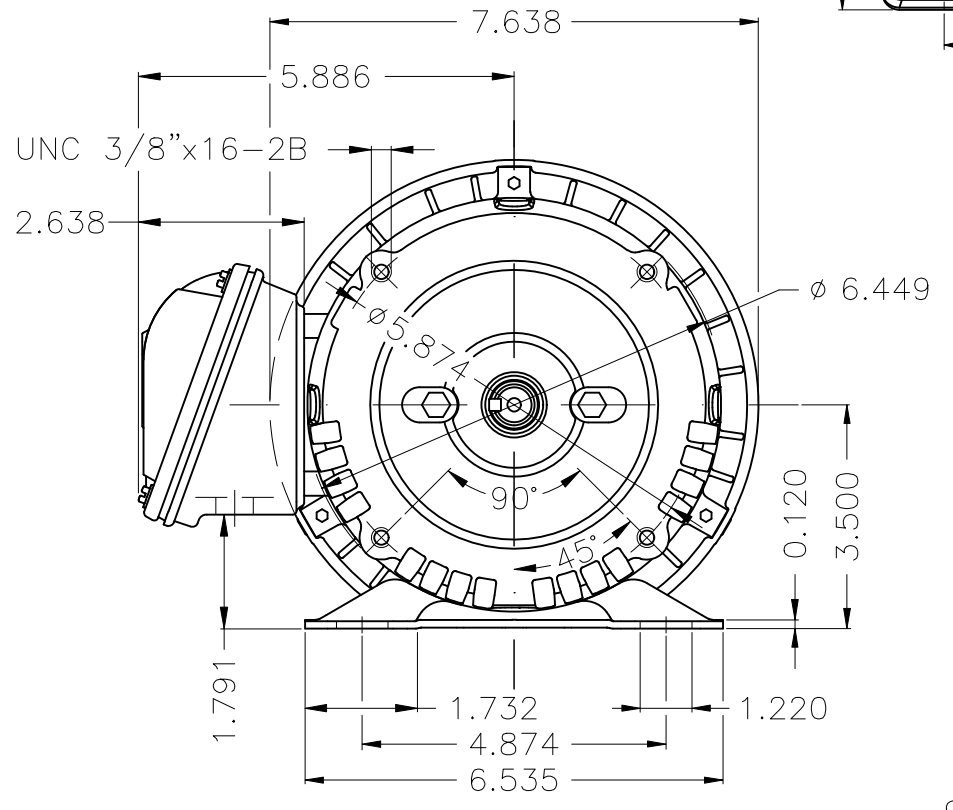
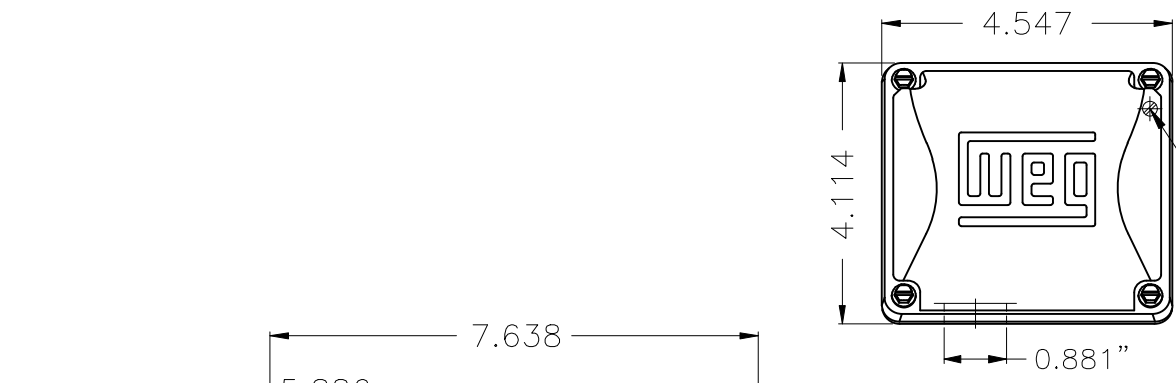
A

B

C

D

E



Color Munsell N 1 matte black  
 Painting plan 207N  
 Mounting B34D

ECM	LOC	SUMMARY OF MODIFICATIONS	EXECUTED	CHECKED	RELEASED	DATE	VER
EXECUTED	HYBRISUSER	THREE PH. MOTOR ROLLED STEEL					00
CHECKED		FRAME 56C IP55 TEFC					
RELEASED							

PREVIEW

WDD 00



0.75 HP 02 Poles 60 Hz