

1 2 3 4 5 6

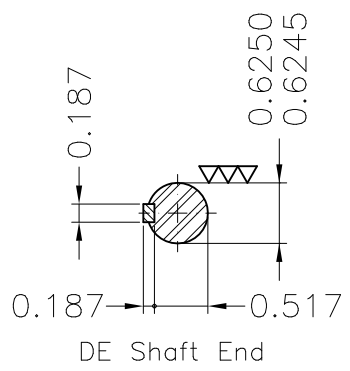
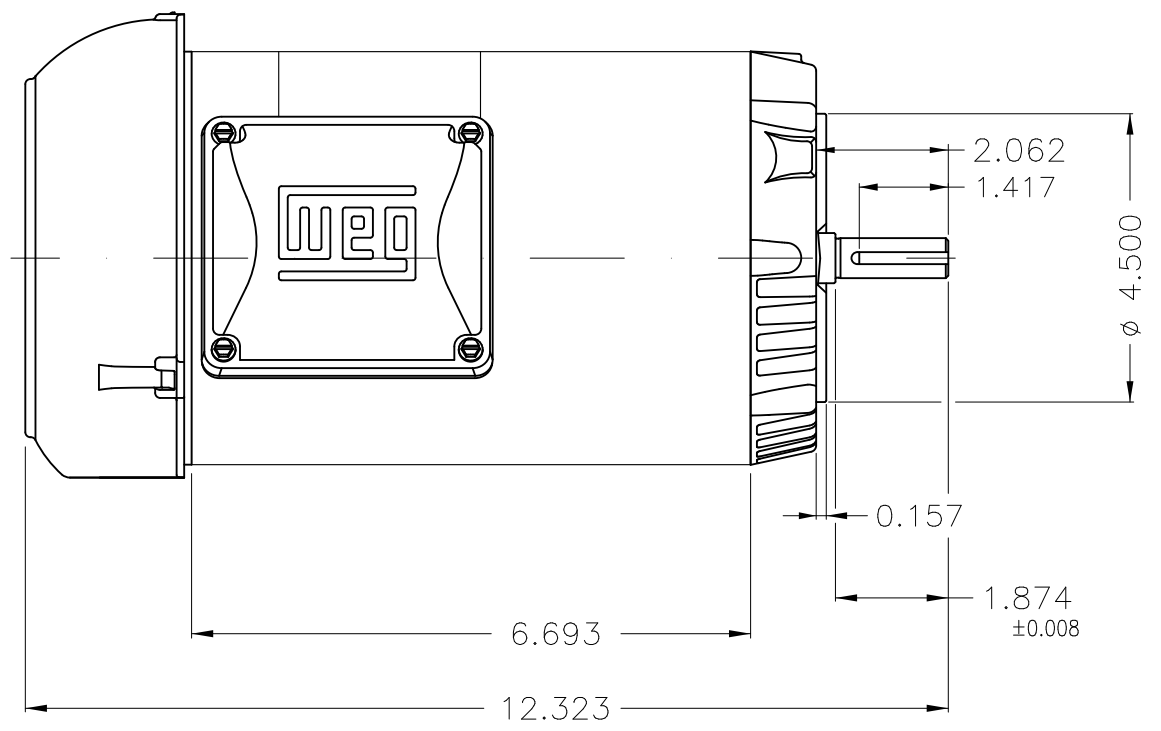
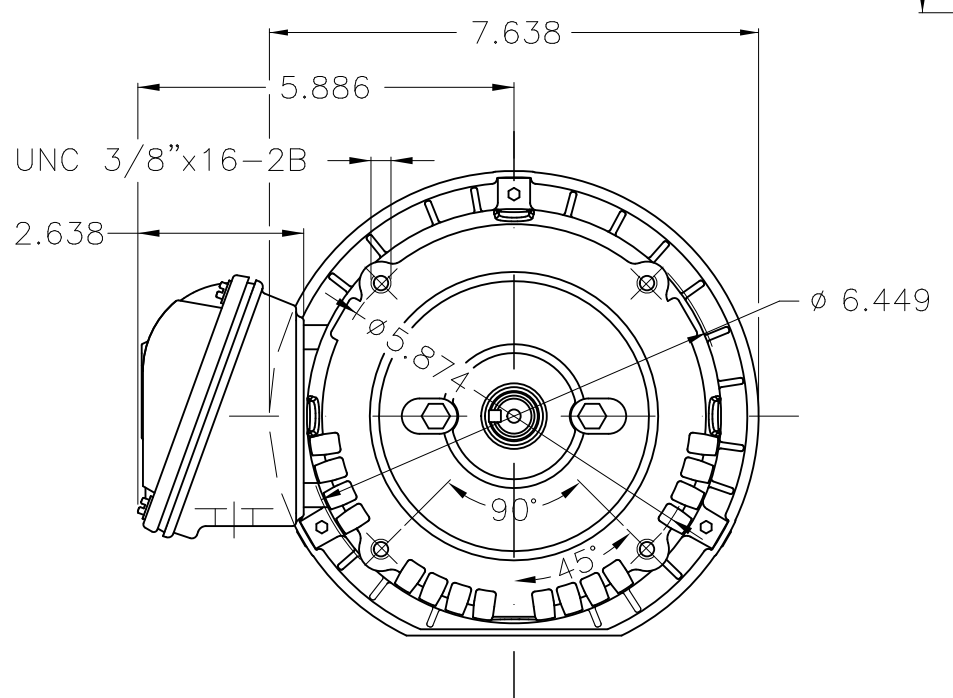
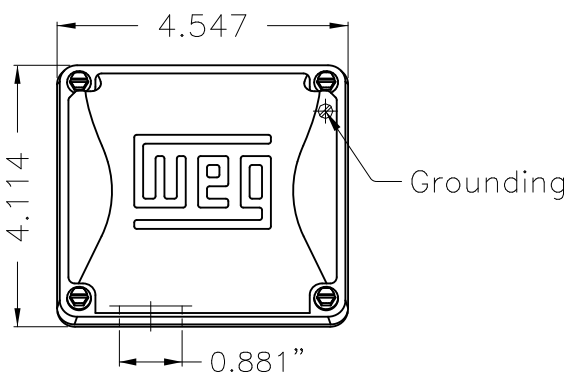
A

B

C

D

E



Color Munsell N 1 matte black					
Painting plan 207N					
Mounting F-1/B14R(D)					
				HYBRISUSER	00
ECM	LOC	SUMMARY OF MODIFICATIONS	EXECUTED	CHECKED	RELEASED
EXECUTED	HYBRISUSER	THREE PH. MOTOR ROLLED STEEL			
CHECKED		FRAME 56C IP55 TEFC			
RELEASED					
REL. DATE		WMO Jaragua do Sul	Product Engineering	PREVIEW	
				WDD 00	
				SHEET 1 / 1	

1 HP 04 Poles 60 Hz

A

