

1 2 3 4 5 6

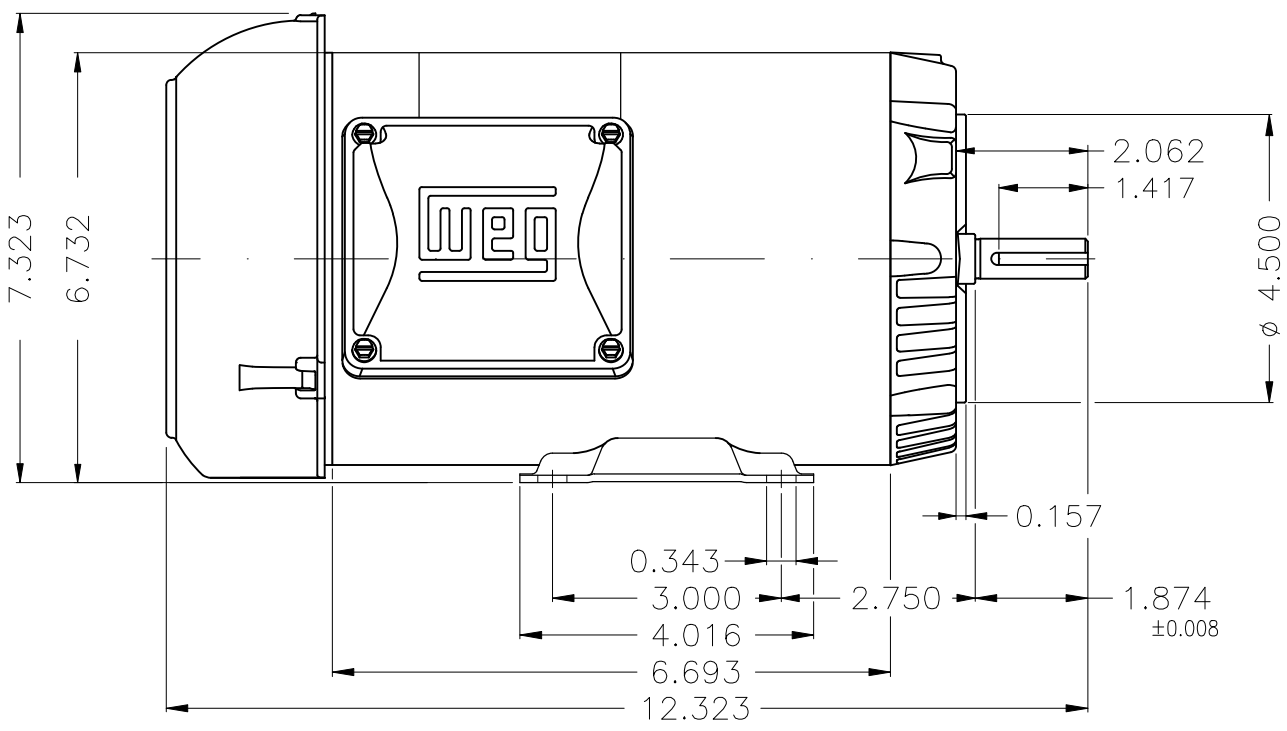
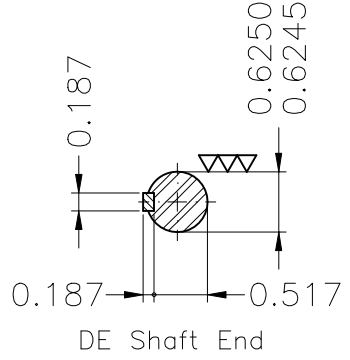
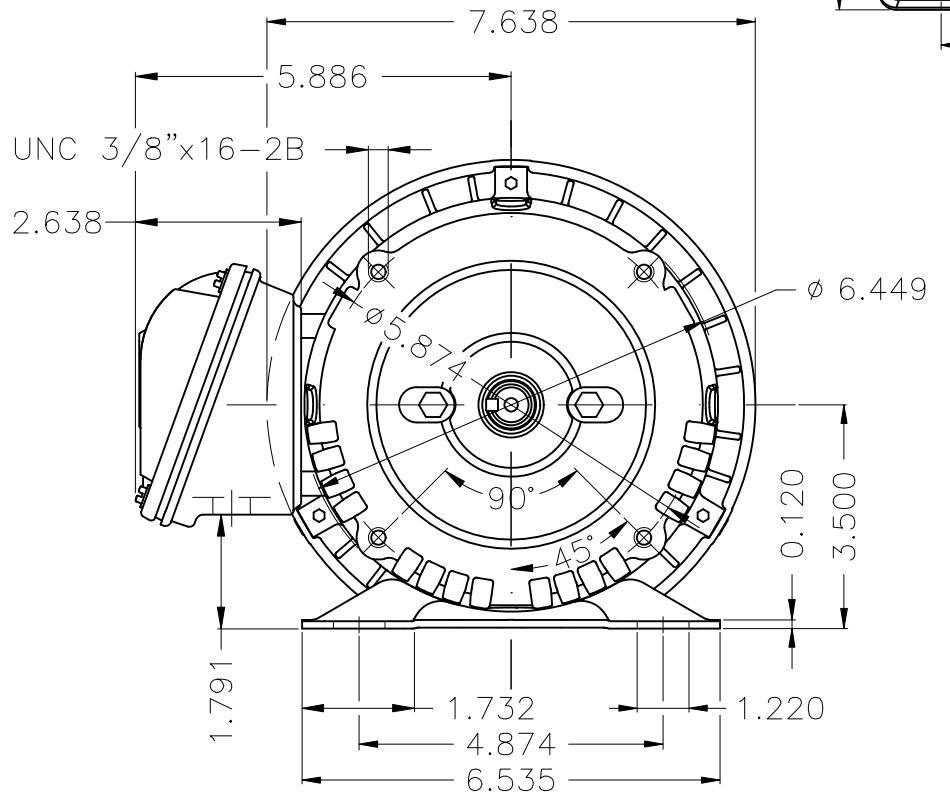
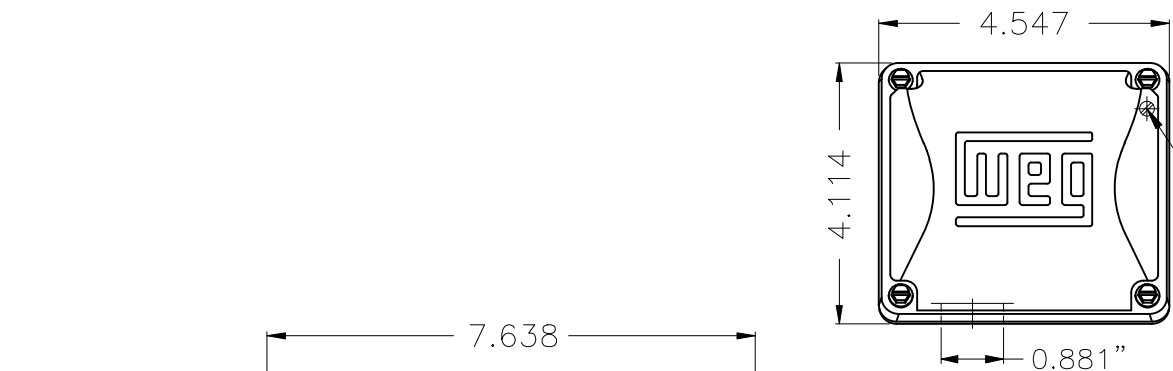
A

B

C

D

E



Color Munsell N 1 matte black
 Painting plan 207N
 Mounting B34D

ECM	LOC	SUMMARY OF MODIFICATIONS	EXECUTED	CHECKED	RELEASED	DATE	VER

EXECUTED	HYBRISUSER		THREE PH. MOTOR ROLLED STEEL FRAME 56C IP55 TEFC	PREVIEW		
CHECKED				WDD	00	
RELEASED				SHEET	1 / 1	

1 HP 04 Poles 60 Hz

A REL. DATE WMO Jaragua do Sul Product Engineering SHEET 1 / 1

WEG's property. Forbidden reproduction without previous authorization.

Dimensions in inches XME A3