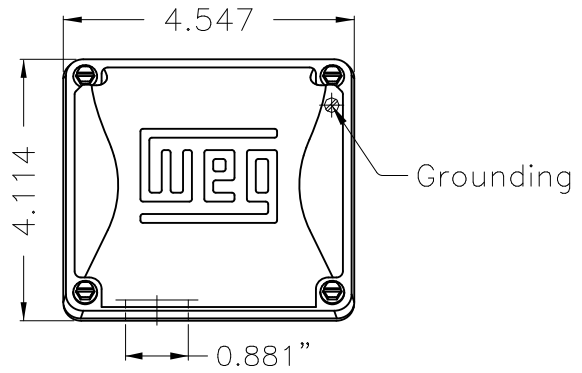
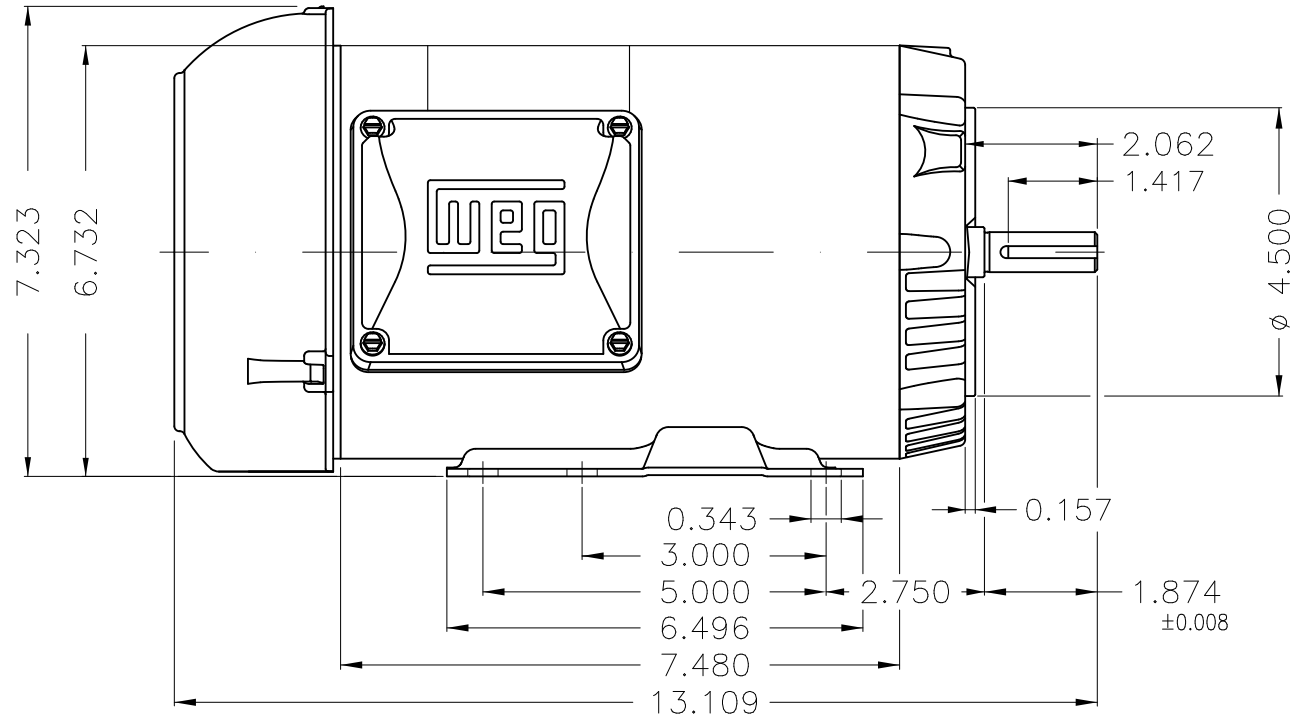
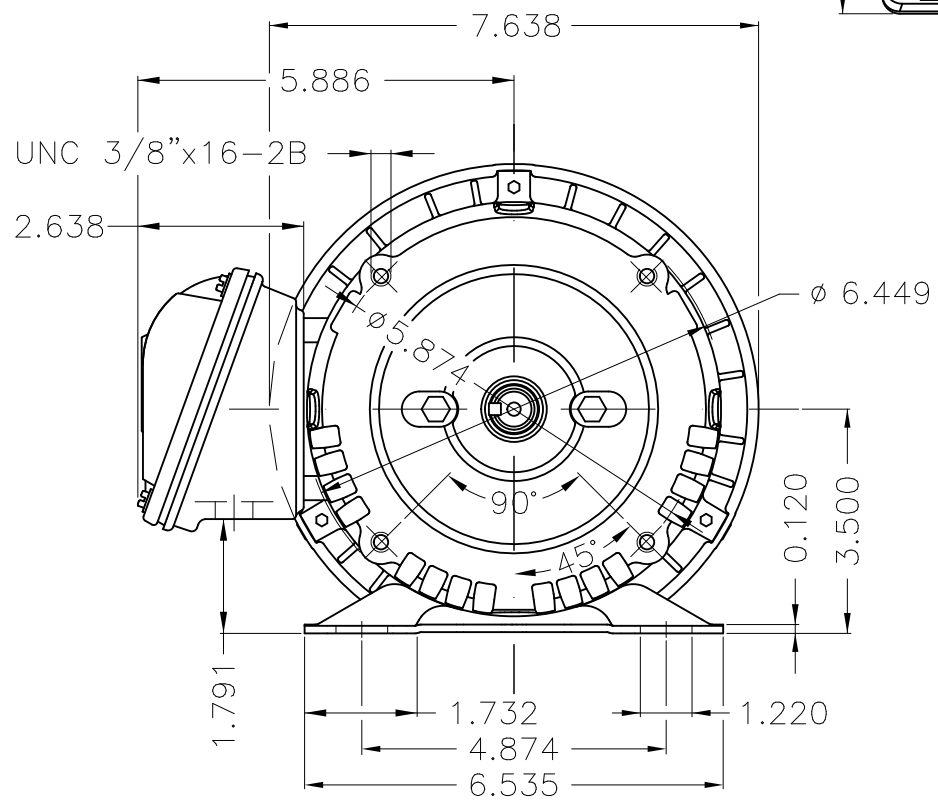


1 2 3 4 5 6

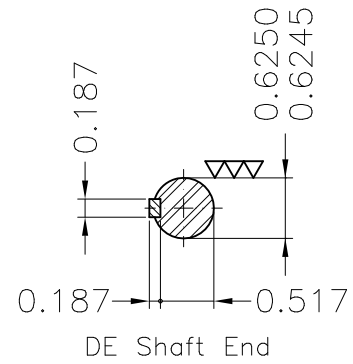
A



B



C



D

E

Color Munsell N 1 matte black
 Painting plan 207N
 Mounting F-1/B34R(D)

ECM			LOC			SUMMARY OF MODIFICATIONS			HYBRISUSER	00	
EXECUTED	HYBRISUSER	THREE PH. MOTOR ROLLED STEEL			EXECUTED			CHECKED	RELEASED	DATE	VER
CHECKED		FRAME 56HC IP55 TEFC						PREVIEW			
RELEASED								WDD 00			
REL. DATE		WMO	Jaragua do Sul	Product Engineering	SHEET	1 / 1					

1.5 HP 04 Poles 60 Hz