

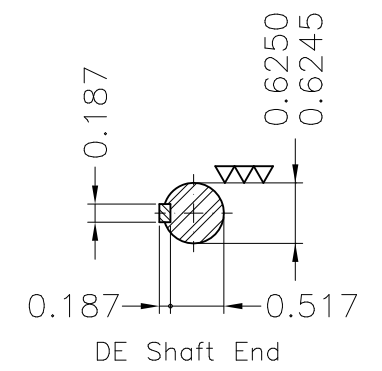
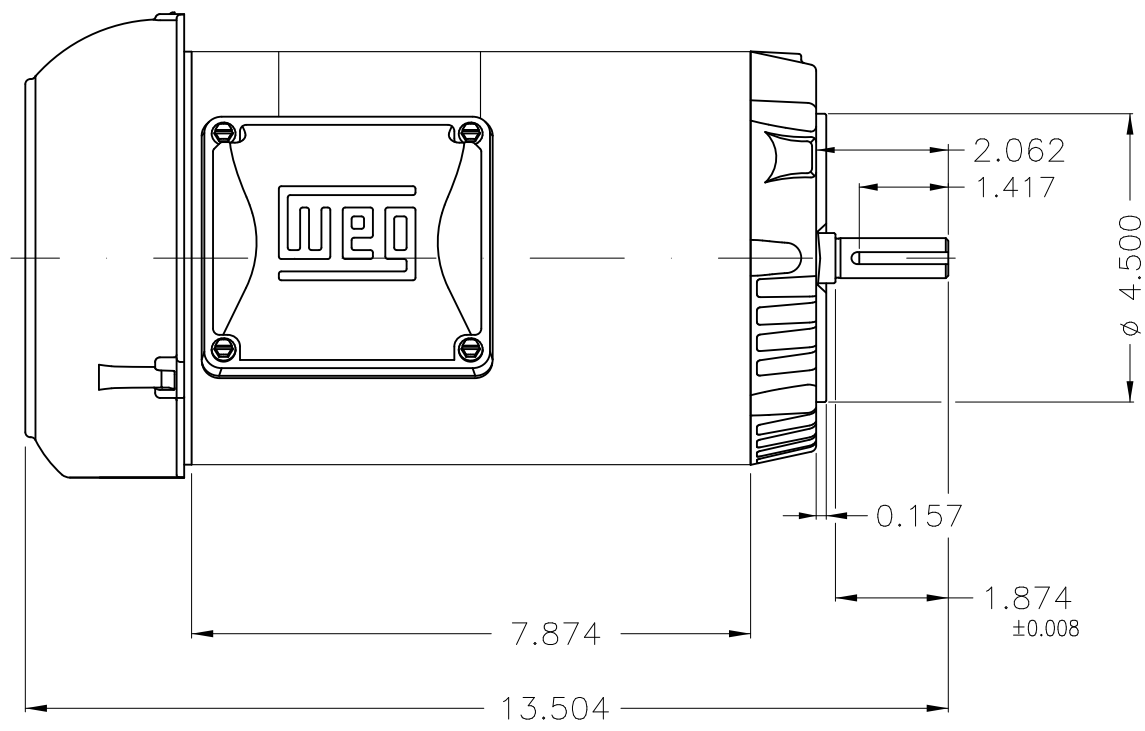
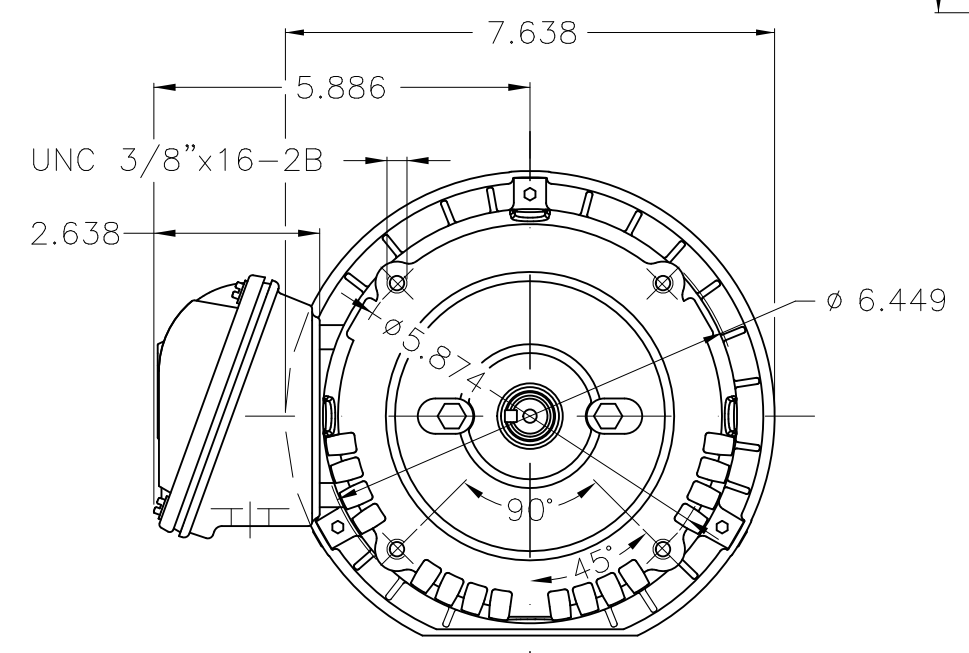
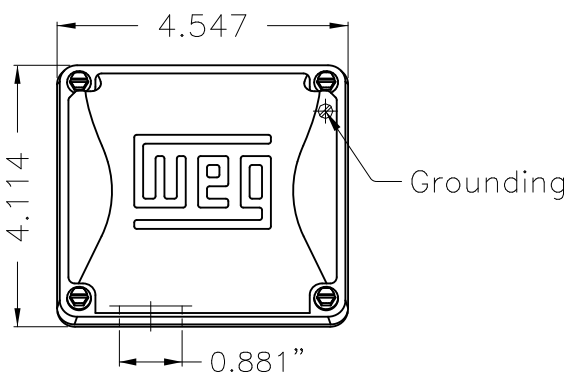
A

B

C

D

E



Dimensions in inches

Color Munsell N 1 matte black						
Painting plan 207N						
Mounting F-1/B14R(D)						
					HYBRISUSER	00
ECM	LOC	SUMMARY OF MODIFICATIONS			EXECUTED	CHECKED
EXECUTED	HYBRISUSER	THREE PH. MOTOR ROLLED STEEL FRAME 56C IP55 TEFC			RELEASED	DATE
CHECKED					VER	
RELEASED						
REL. DATE	WMO	Jaragua do Sul	Product Engineering	PREVIEW WDD   00		1 / 1

2 HP 04 Poles 60 Hz

A



XME A3