

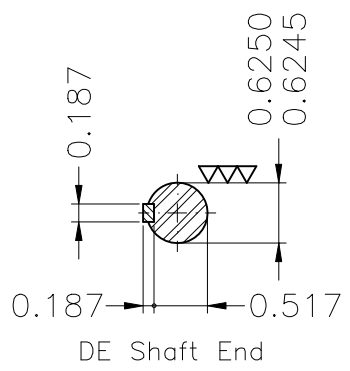
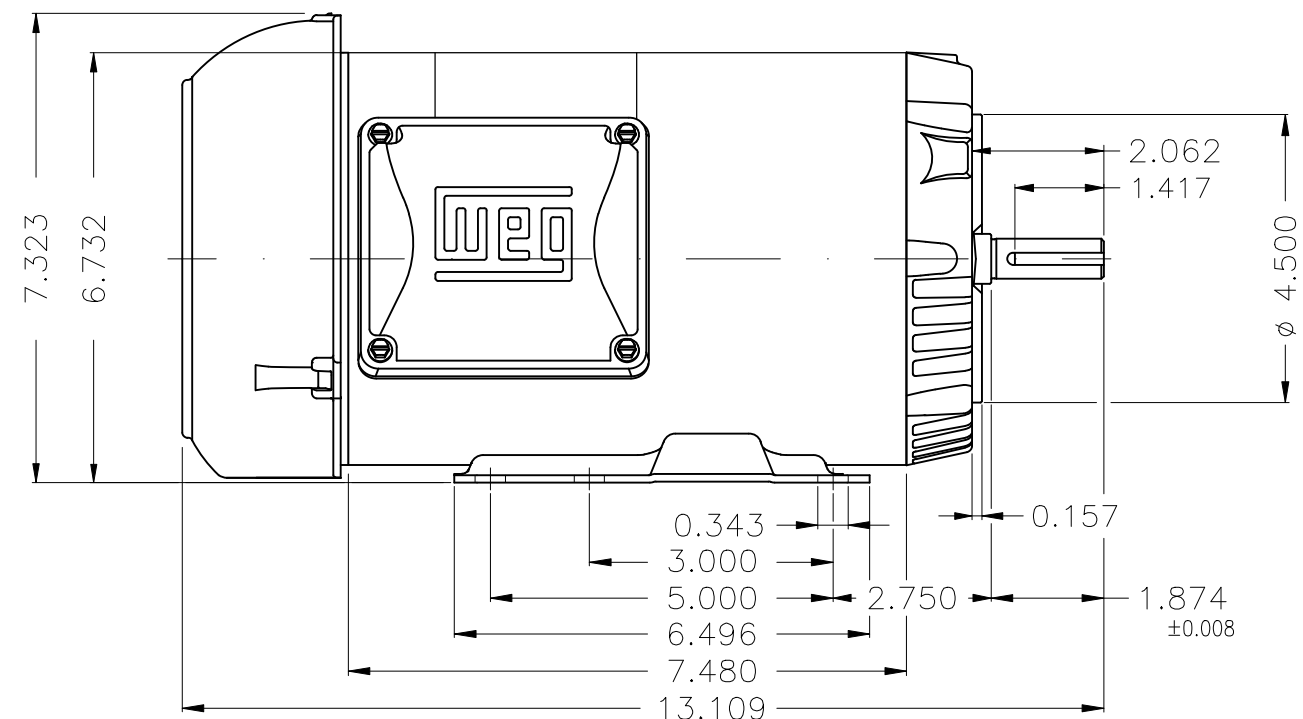
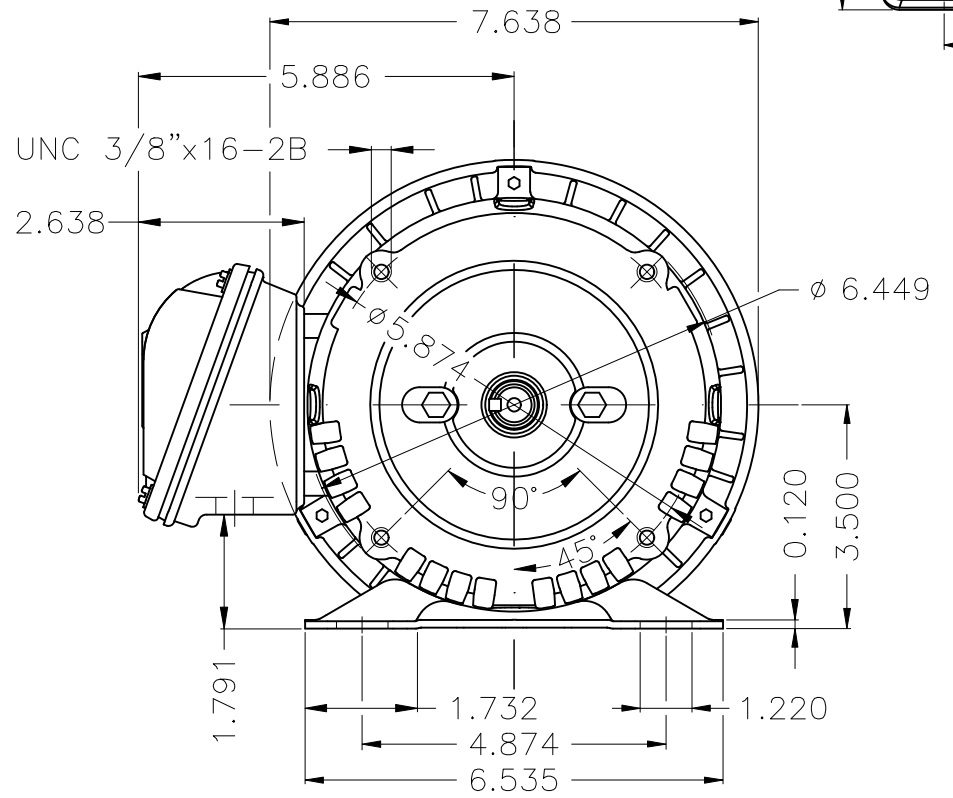
A

B

C

D

E



Color Munsell N 1 matte black					
Painting plan 207N					
Mounting B34D					
				HYBRISUSER	00
ECM	LOC	SUMMARY OF MODIFICATIONS	EXECUTED	CHECKED	RELEASED DATE VER
EXECUTED	HYBRISUSER	THREE PH. MOTOR ROLLED STEEL FRAME 56HC IP55 TEFC			
CHECKED					
RELEASED					
REL. DATE	WMO	Jaragua do Sul	Product Engineering	SHEET	1 / 1

2 HP 02 Poles 60 Hz

A

PREVIEW
WDD 00

