

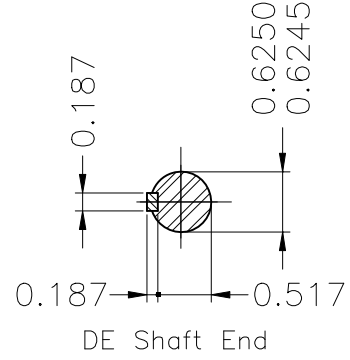
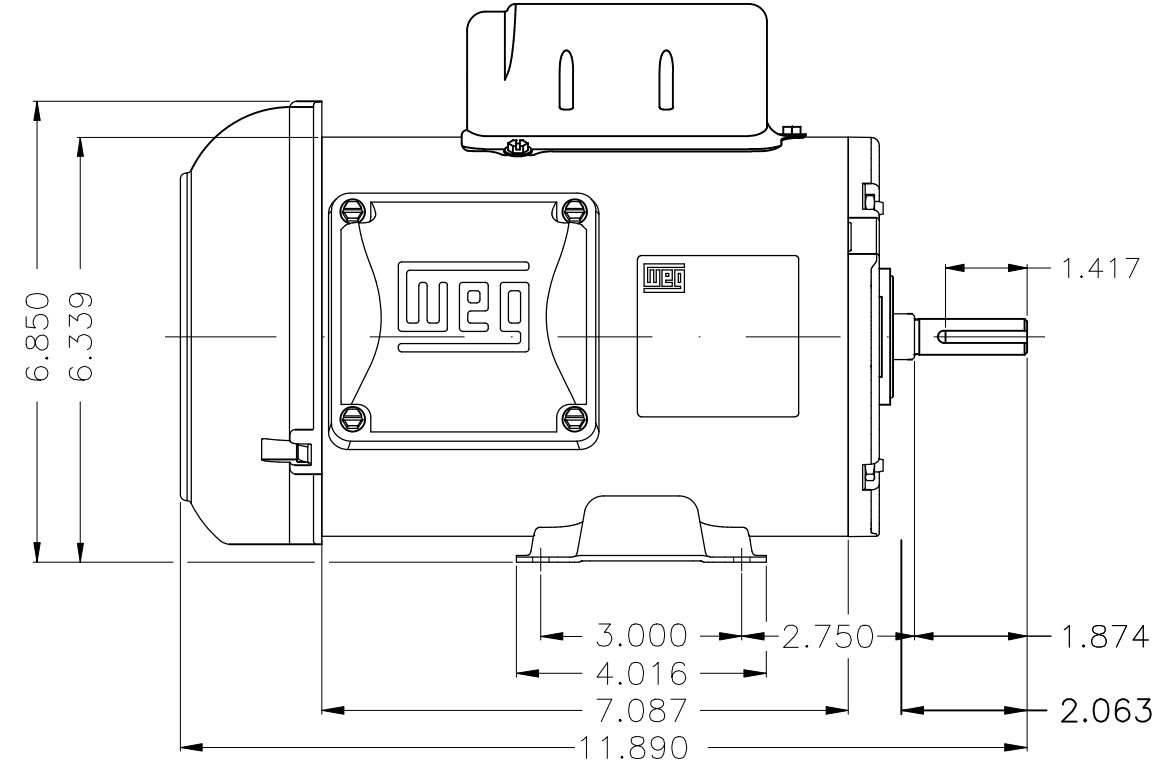
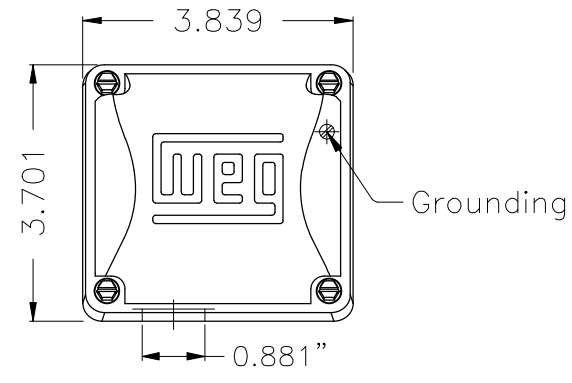
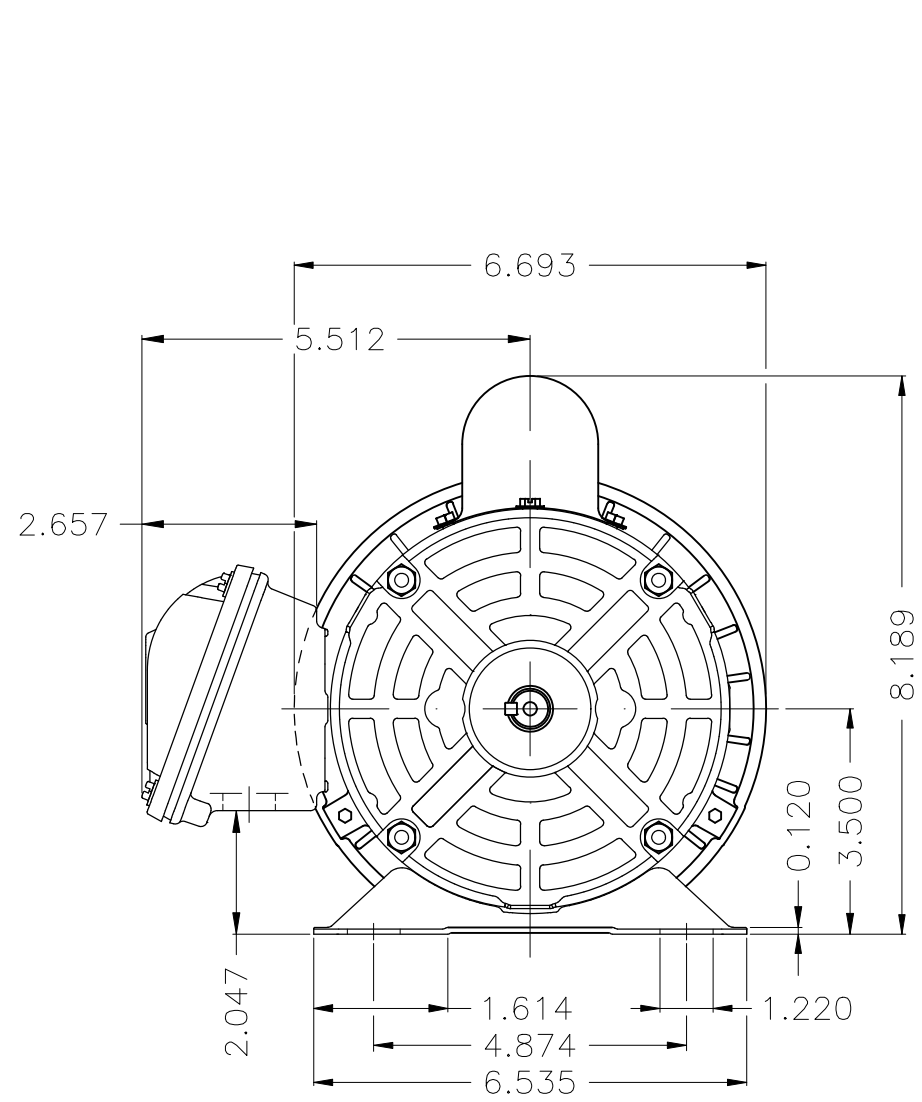
A

B

C

D

E



Mounting F-1/B3R(D)									
ECM	LOC	SUMMARY OF MODIFICATIONS			EXECUTED	CHECKED	RELEASED	DATE	VER
EXECUTED	HYBRISUSER	SINGLE PH. MOTOR ROLLED STEEL FARM DUTY							00
CHECKED		FRAME W56 IP55 TEFC							
RELEASED									
REL. DATE		WMO	Jaragua do Sul	Product Engineering	PREVIEW		WDD 00		
					SHEET		1 / 1		

0.5 HP 04 Poles 60 Hz

A