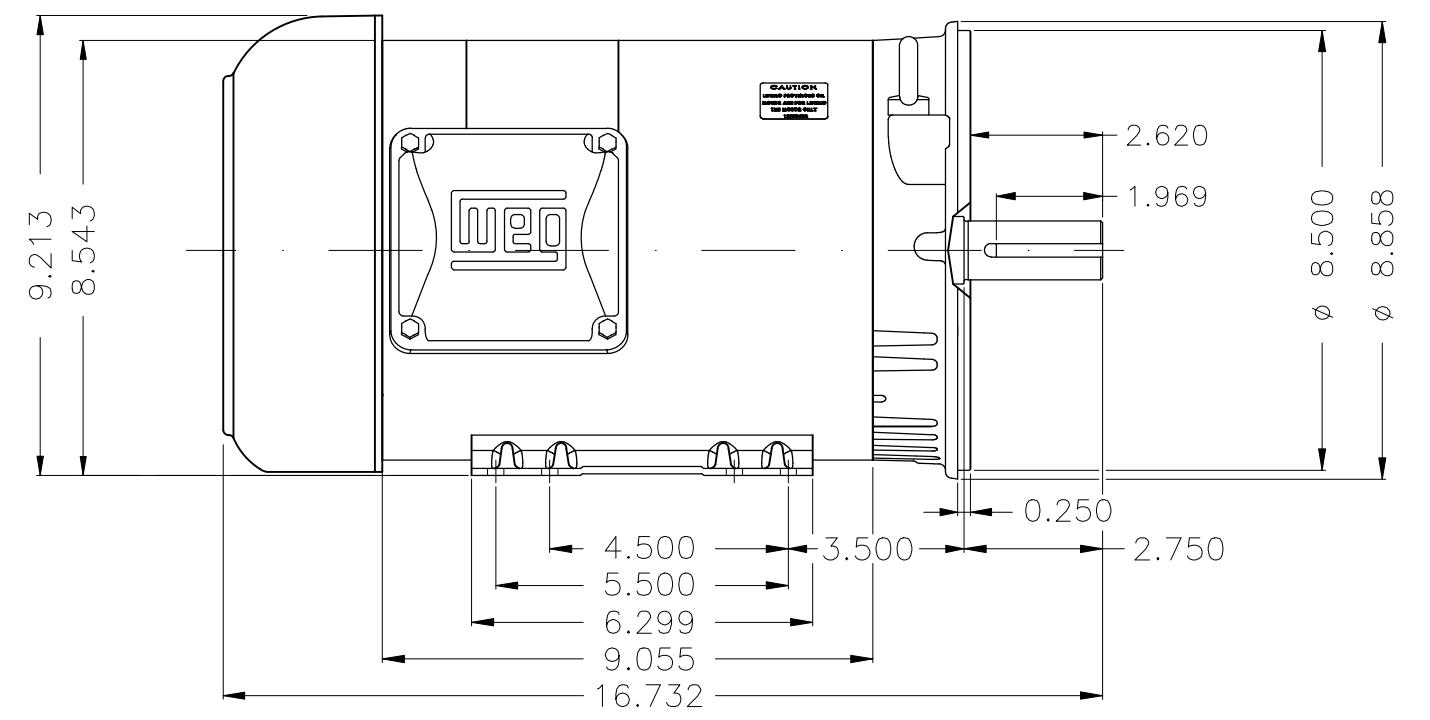
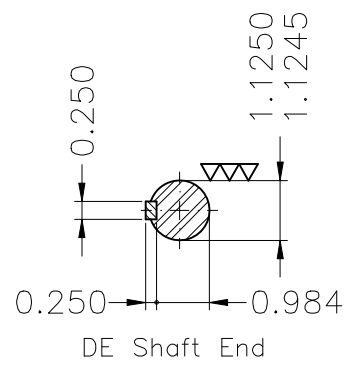
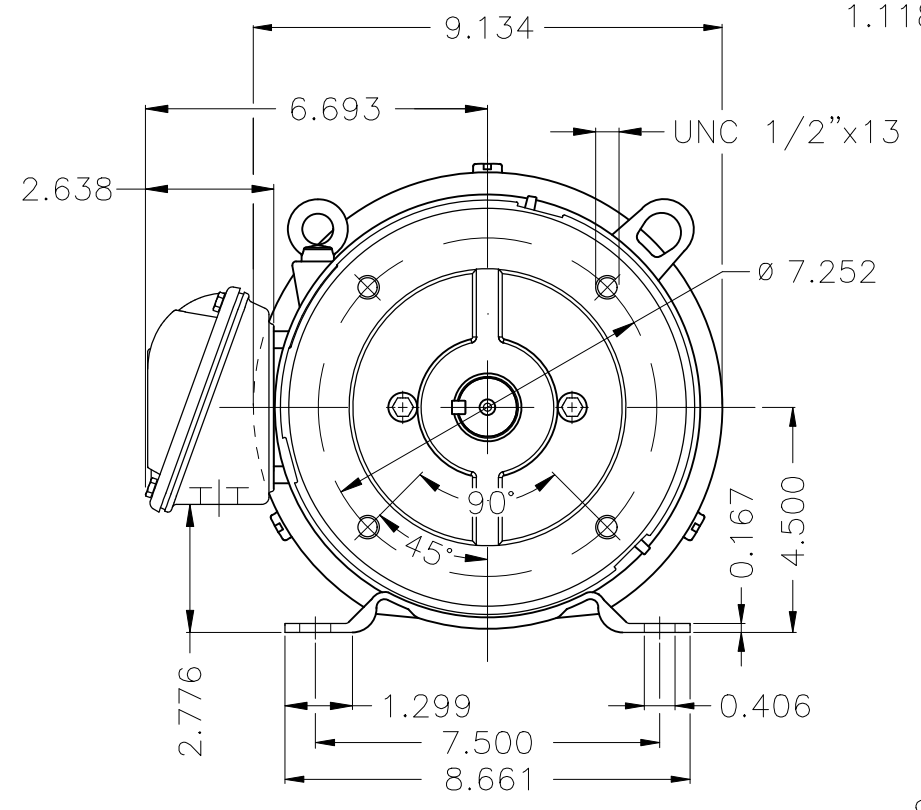
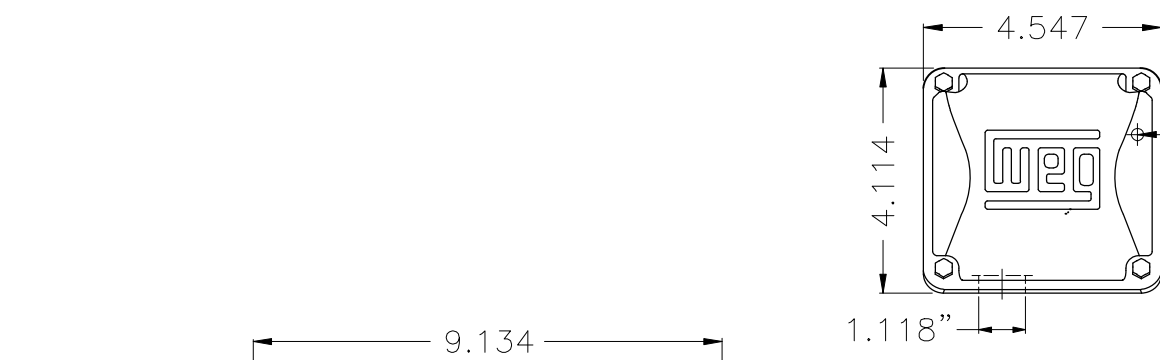


1 2 3 4 5 6

A
B
C
D
E



Color Munsell N 1 matte black
 Painting plan 207N
 Mounting F-1/B34R(D)

ECM	LOC	SUMMARY OF MODIFICATIONS	EXECUTED	CHECKED	RELEASED	DATE	VER
EXECUTED	HYBRISUSER	THREE PH. MOTOR ROLLED STEEL NEMA PREM. EFF.					
CHECKED		FRAME 182/4TC IP55 TEFC					
RELEASED							

PREVIEW

WDD 00



5 HP 02 Poles 60 Hz

A REL. DATE WMO Jaragua do Sul Product Engineering SHEET 1 / 1