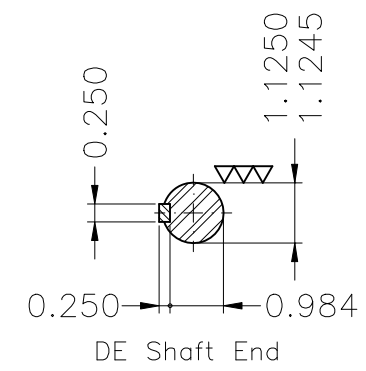
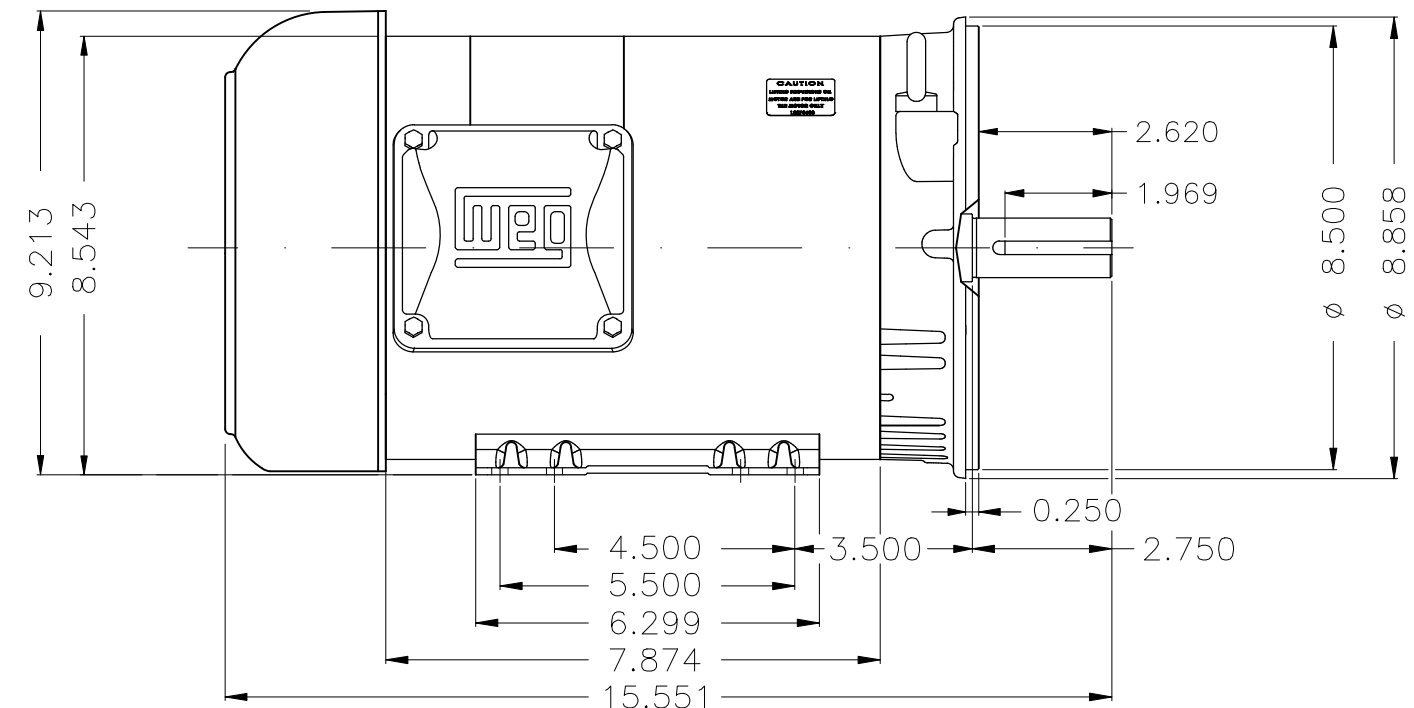
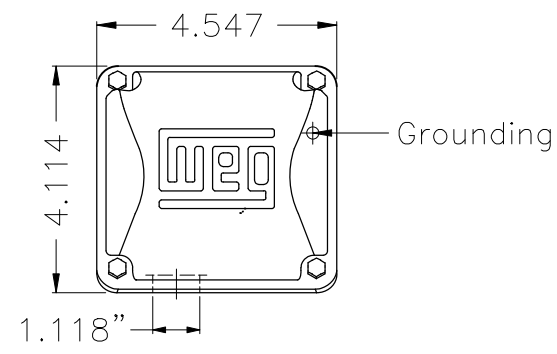
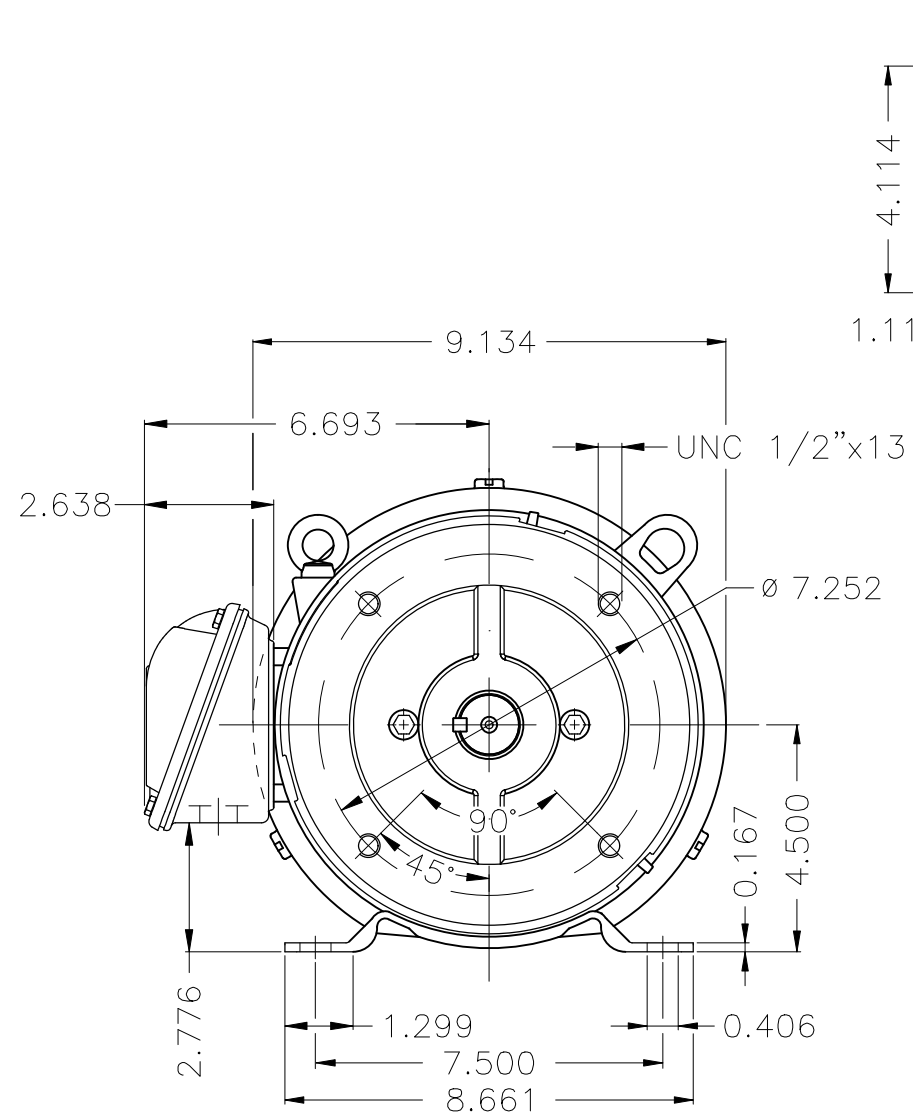


A
B
C
D
E



Color Munsell N 1 matte black											
Painting plan 207N											
Mounting B34D											
								HYBRISUSER		00	
ECM	LOC	SUMMARY OF MODIFICATIONS					EXECUTED	CHECKED	RELEASED	DATE	VER
EXECUTED	HYBRISUSER	THREE PH. MOTOR ROLLED STEEL NEMA PREM. EFF.						PREVIEW WDD 00			
CHECKED		FRAME 182/4TC IP55 TEFC									
RELEASED											
REL. DATE		WMO	Jaragua do Sul	Product Engineering	SHEET	1 / 1					

3 HP 02 Poles 60 Hz

A