

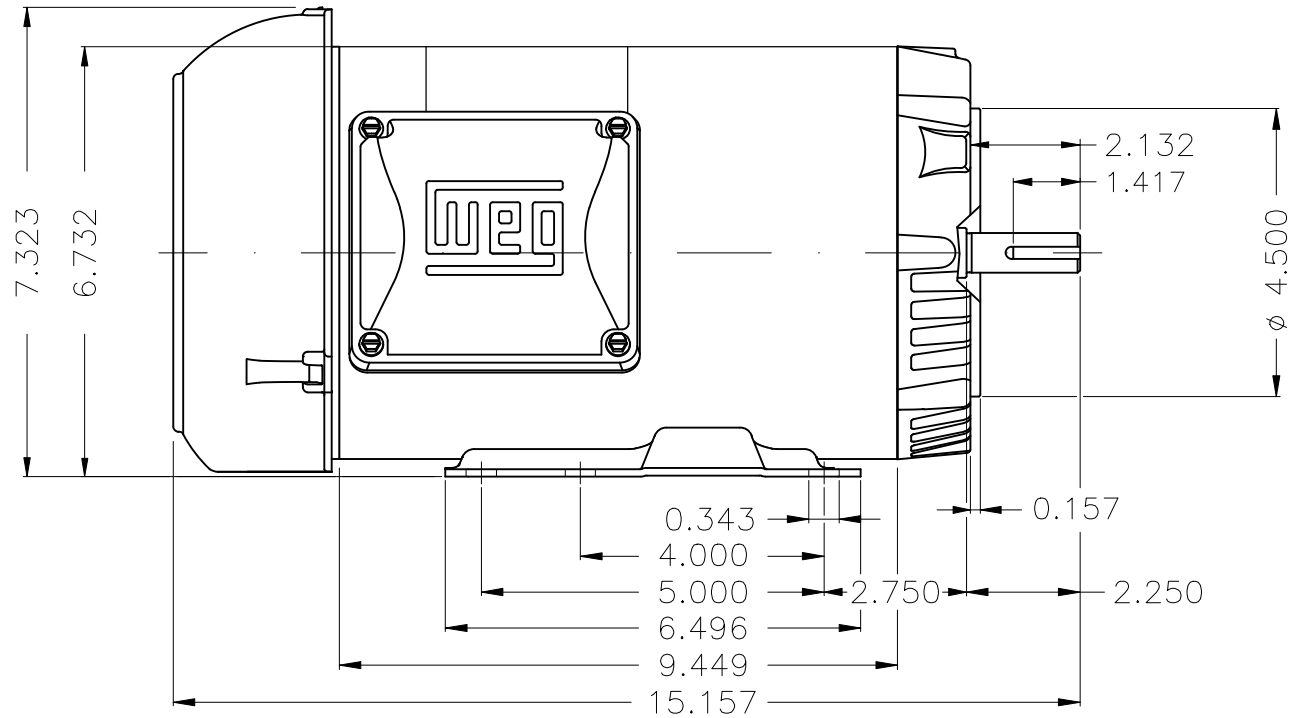
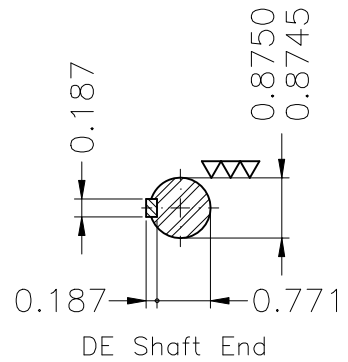
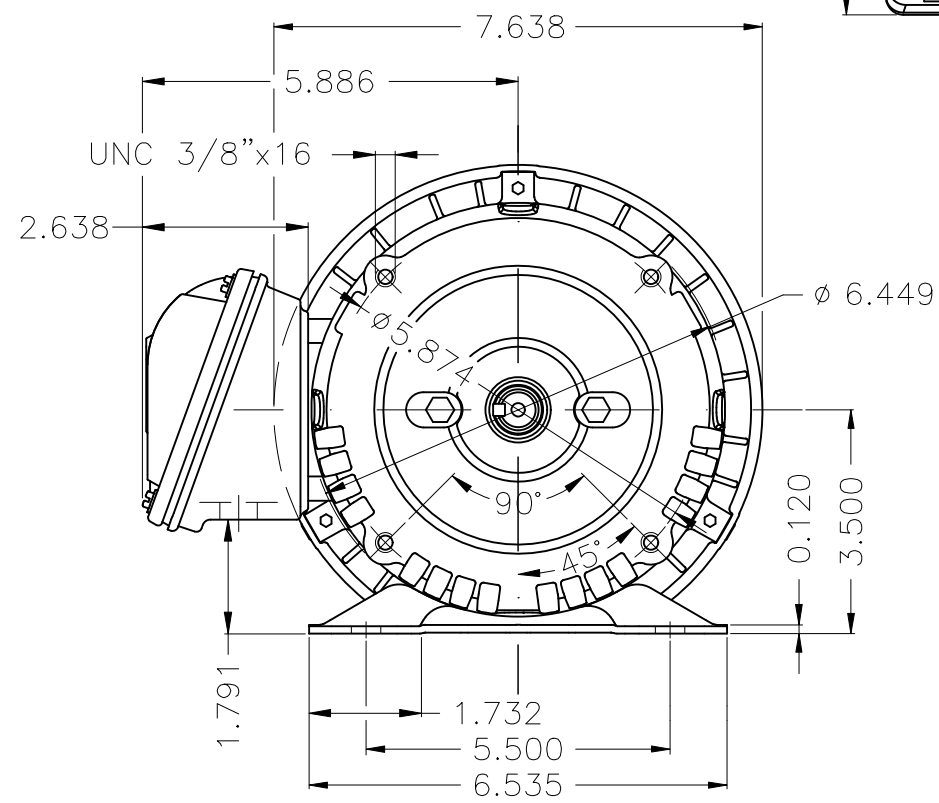
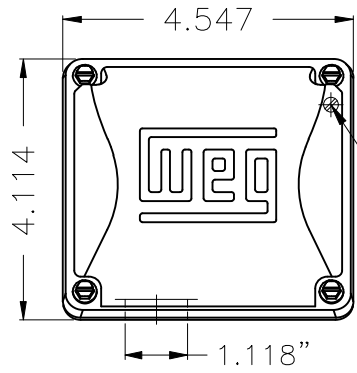
A

B

C

D

E



Color Munsell N 1 matte black  
 Painting plan 207N  
 Mounting B34D

						HYBRISUSER								00		
ECM	LOC	SUMMARY OF MODIFICATIONS					EXECUTED	CHECKED	RELEASED	DATE	VER					
EXECUTED	HYBRISUSER			THREE PH. MOTOR ROLLED STEEL NEMA PREM. EFF.								PREVIEW				
CHECKED				FRAME 143/5TC IP55 TEFC								WDD		00		
RELEASED												SHEET		1 / 1		
REL. DATE		WMO		Jaragua do Sul		Product Engineering										

3 HP 02 Poles 60 Hz

A

