

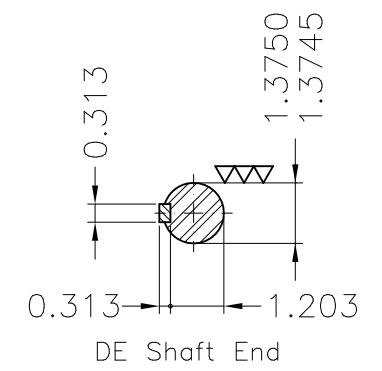
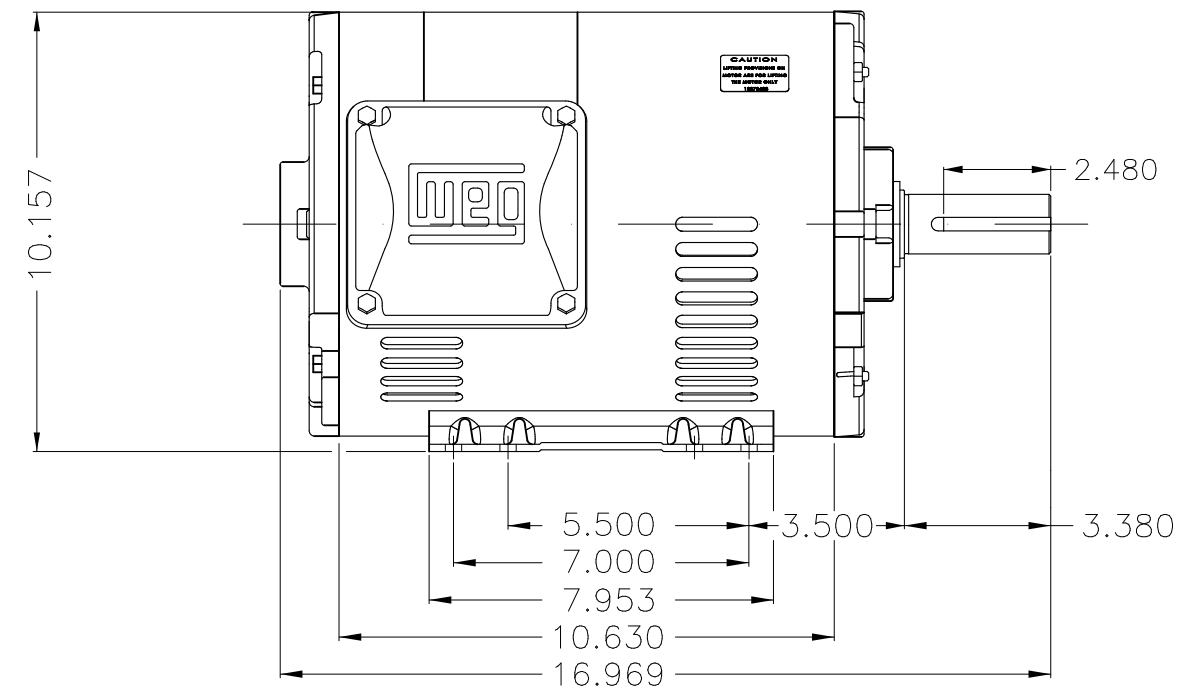
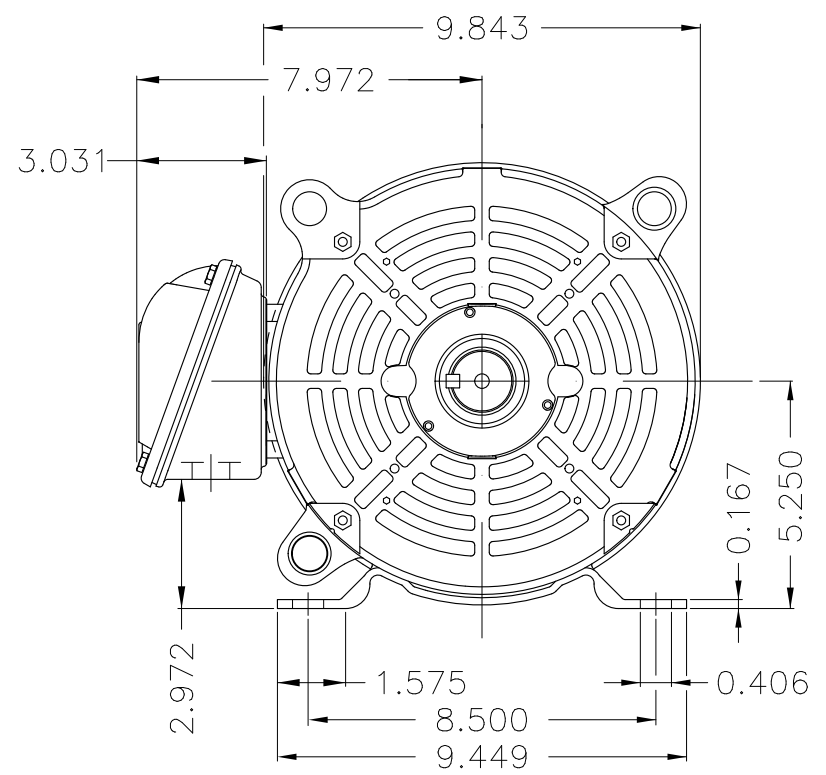
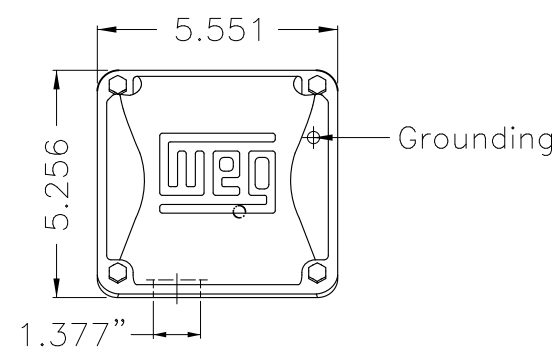
A

B

C

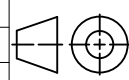

D

E



Color Munsell N 1 matte black  
Painting plan 207N  
Mounting F-1/B3R(D)

				HYBRISUSER						00
ECM	LOC	SUMMARY OF MODIFICATIONS			EXECUTED	CHECKED	RELEASED	DATE	VER	

EXECUTED	HYBRISUSER		THREE PH. MOTOR ROLLED STEEL NEMA PREM. EFF.	<b>PREVIEW</b> WDD   00	
CHECKED			FRAME 213/5T IP21 ODP		
RELEASED					
REL. DATE		WMO	Jaragua do Sul	Product Engineering	SHEET 1 / 1

5 HP 06 Poles 60 Hz