

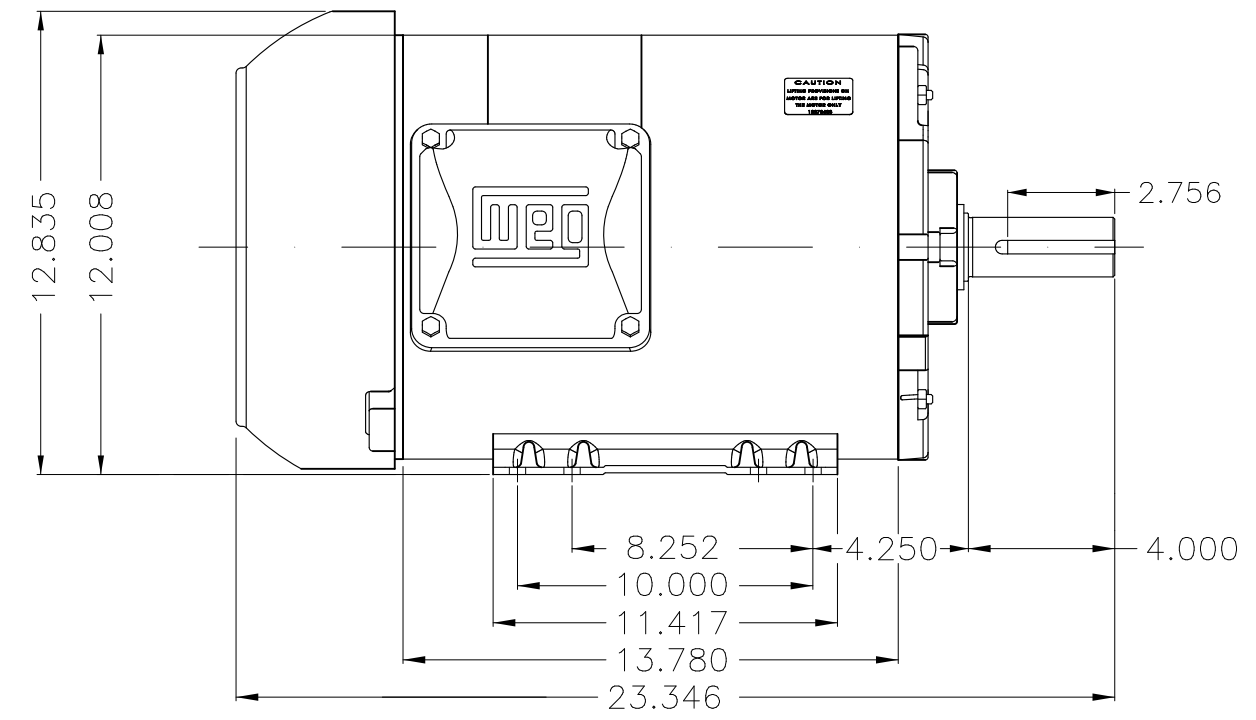
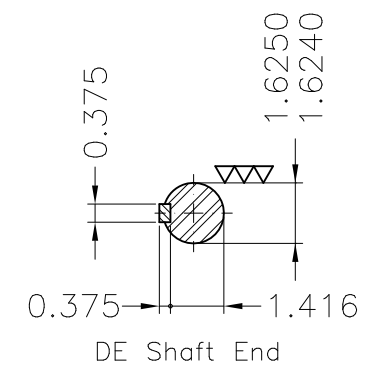
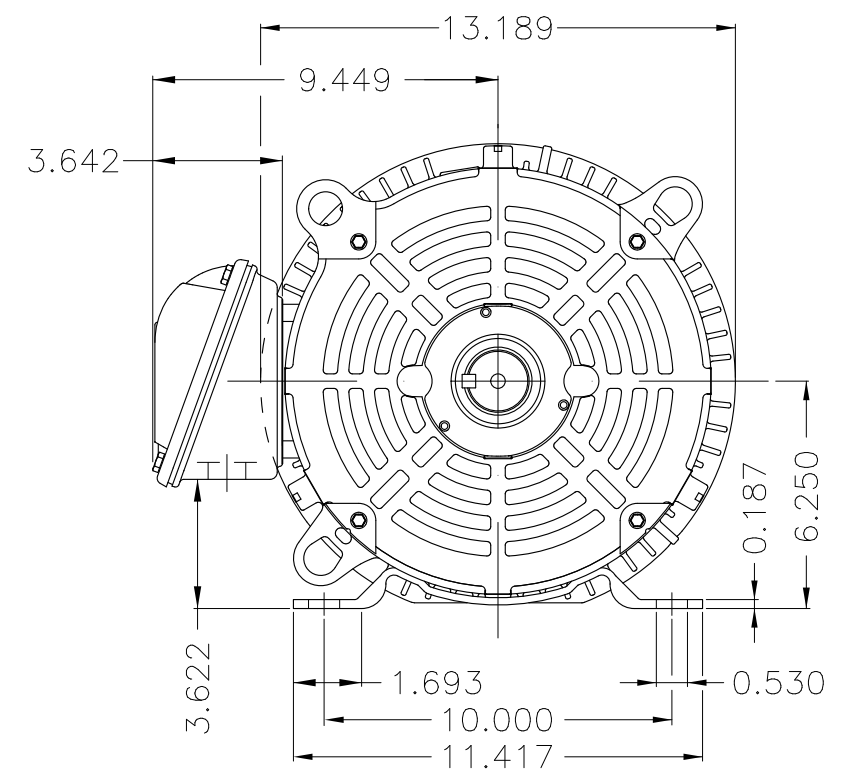
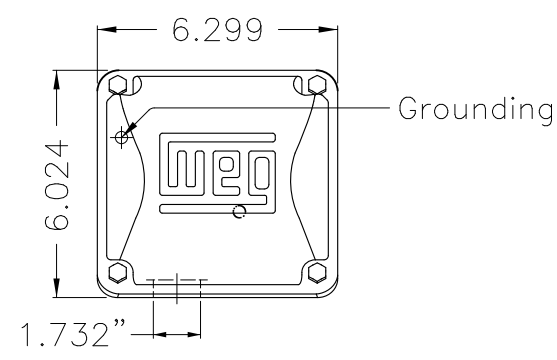
A

B

C

D

E



Color Munsell N 1 matte black						
Painting plan 207N						
Mounting F-1/B3R(D)						
					HYBRISUSER	00
ECM	LOC	SUMMARY OF MODIFICATIONS		EXECUTED	CHECKED	RELEASED
EXECUTED	HYBRISUSER	THREE PH. MOTOR ROLLED STEEL NEMA PREM. EFF.		EXECUTED	CHECKED	RELEASED
CHECKED		FRAME 254/6T IP55 TEFC		EXECUTED	CHECKED	RELEASED
RELEASED				EXECUTED	CHECKED	RELEASED
REL. DATE	WMO	Jaragua do Sul	Product Engineering	PREVIEW		WDD 00
				SHEET		1 / 1

20 HP 02 Poles 60 Hz

Dimensions in inches XME A3

WEG's property. Forbidden reproduction without previous authorization.