

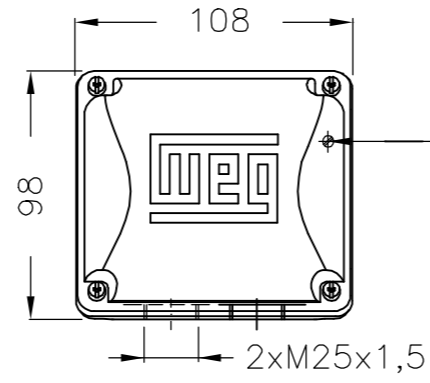
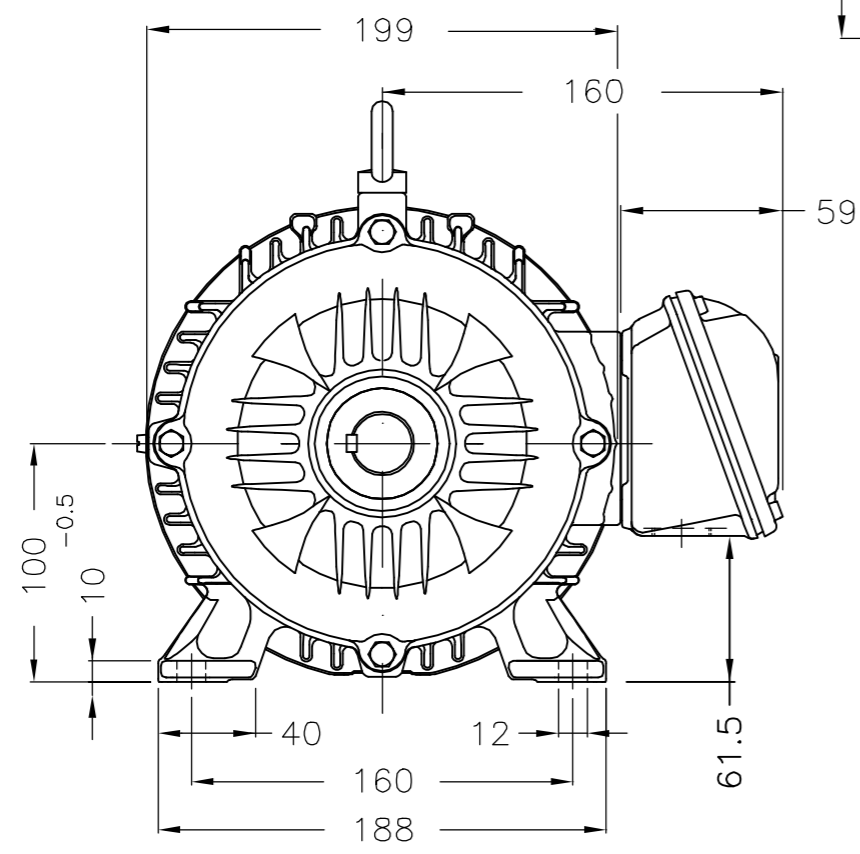
EIXO/SHAFT	
PADRÃO/STANDARD	X
OPCIONAL/OPTIONAL	
ESPECIAL/SPECIAL	

Dimensões em mm  
Dimensions in mm

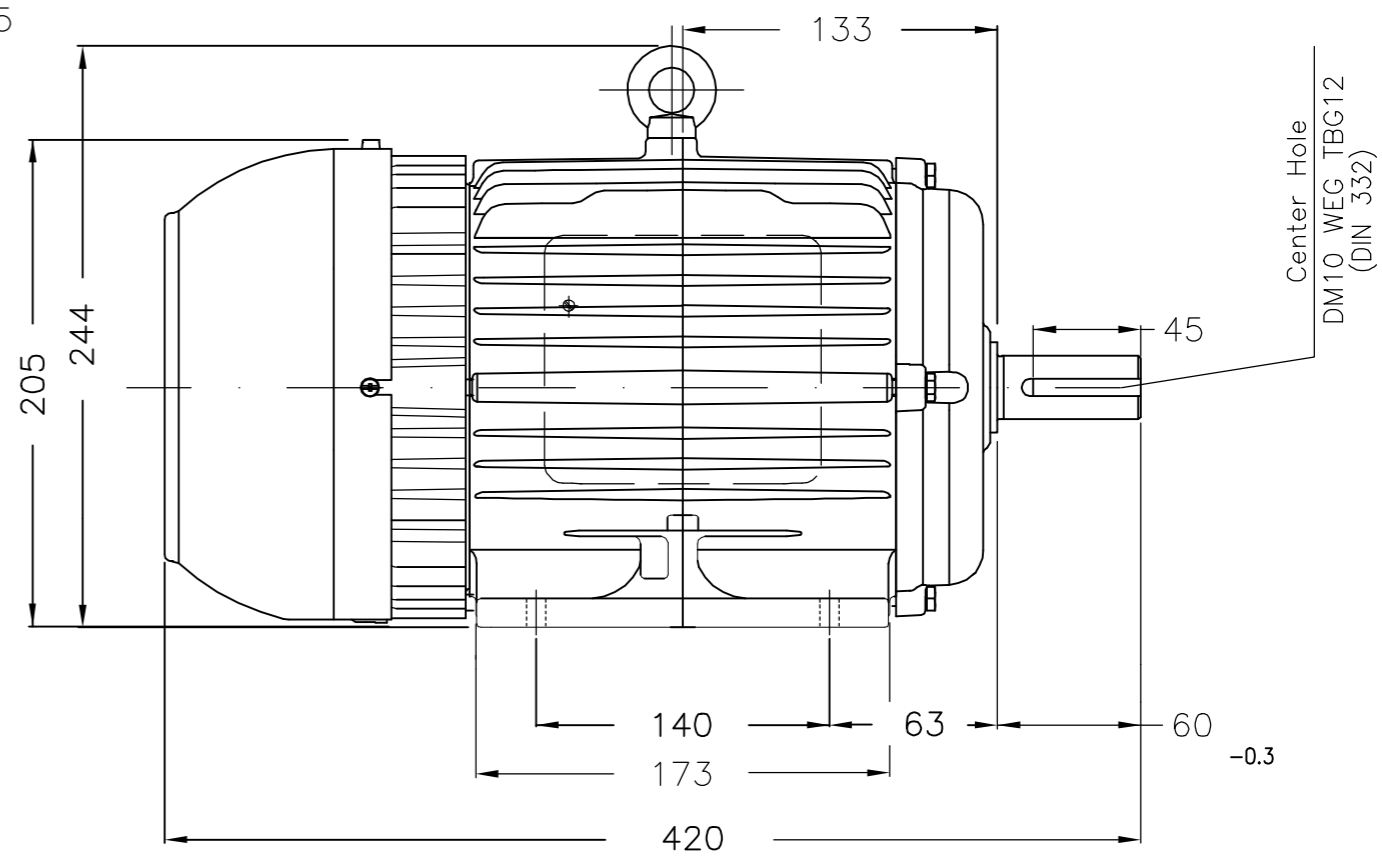
**CERTIFIED WEG MOTORES**  
Certified document.  
Not subject to changes.

THIS IS AN UPDATED REVISION, THE PREVIOUS ONE MUST BE DISREGARDED.

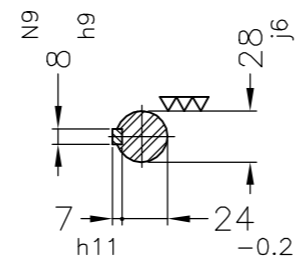
A  
B  
C  
D  
E



Main terminal box



Center Hole  
DM10 WEG TBG12  
(DIN 332)



DE Shaft End

Plano de pintura 207A / Painting plan 207A

Forma construtiva B3E / Mounting B3L(E)

**V.J. PAMENSKY CANADA INC.**

500002273182		ALTERADO CFME CLAIM 415160683	SCATOLIN	ELIOM	ELIOM	12.12.2022	02
500001027028		REMOVIDO REPRESENTAÇÃO ATERR	ANDREPEREIRA	RICARDOAN	RICARDOAN	16.05.2015	01
ECM	LOC	SUMMARY OF MODIFICATIONS	EXECUTED	CHECKED	RELEASED	DATE	VER
EXECUTED	SCARMAGNANI	THREE PHASE W22 TRU-METRIC PREMIUM EFF FRAME L100L IP55	10002727739				
CHECKED	DFRANCISCO		000	02			
RELEASED	DFRANCISCO						
REL DT	25.02.2014	WMO	JARAGUA DO SUL	ENGENHARIA DE PRODUTO	SHEET	1 / 1	

1.5 HP 06 Poles 60Hz 413341955/01 ELET

A



UNCONTROLLED COPY  
RELEASED  
ZME A3