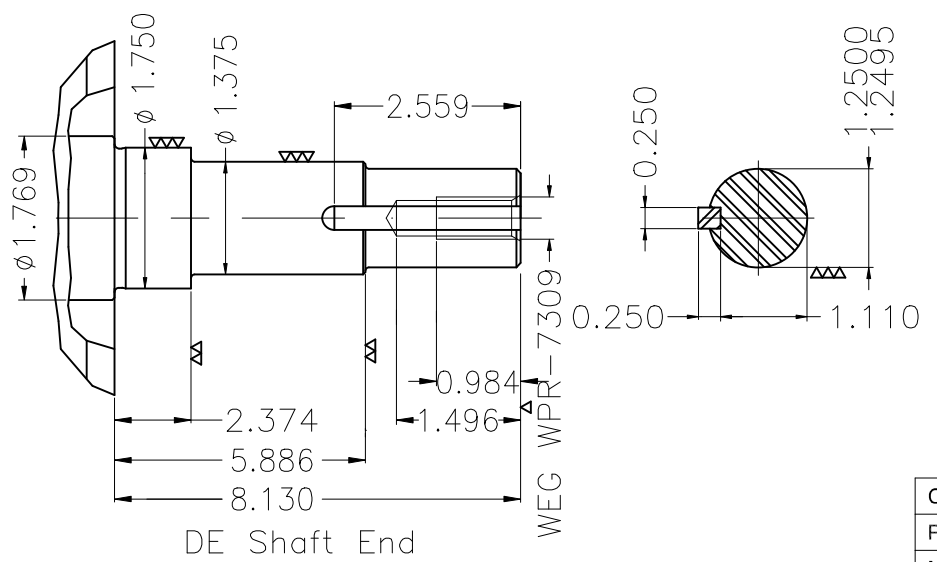
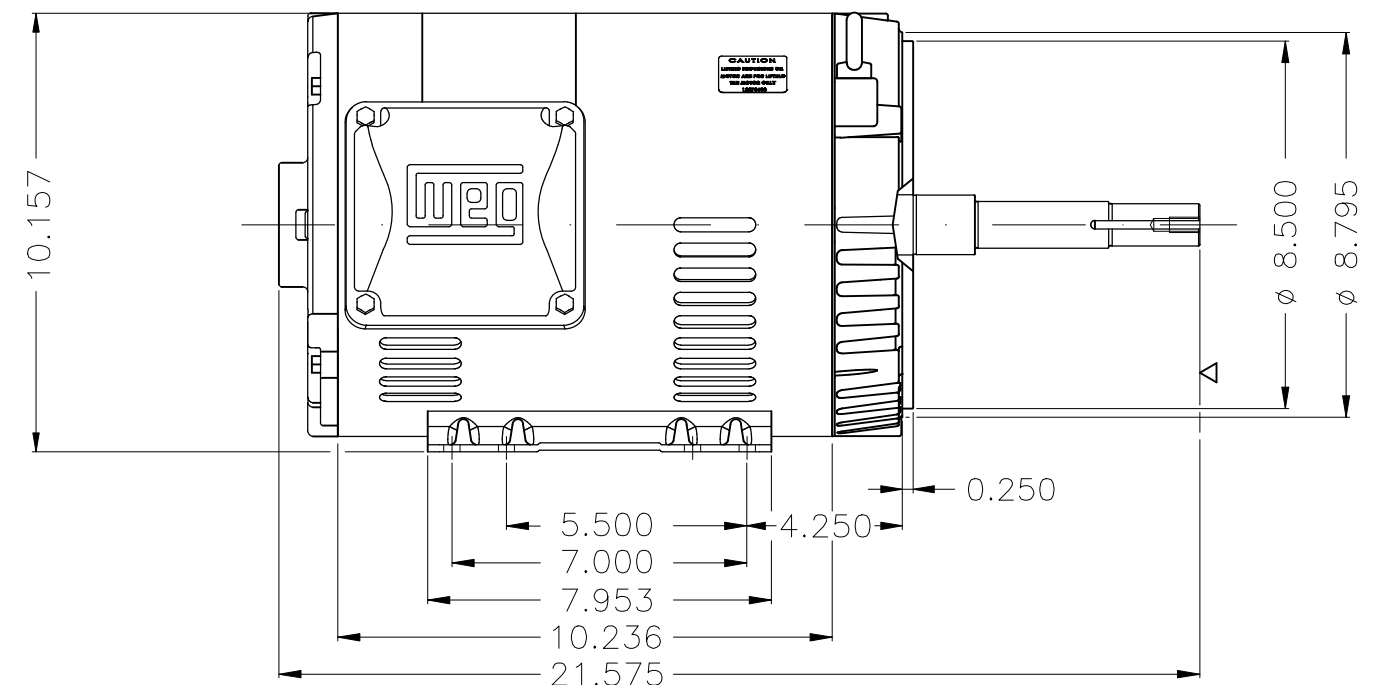
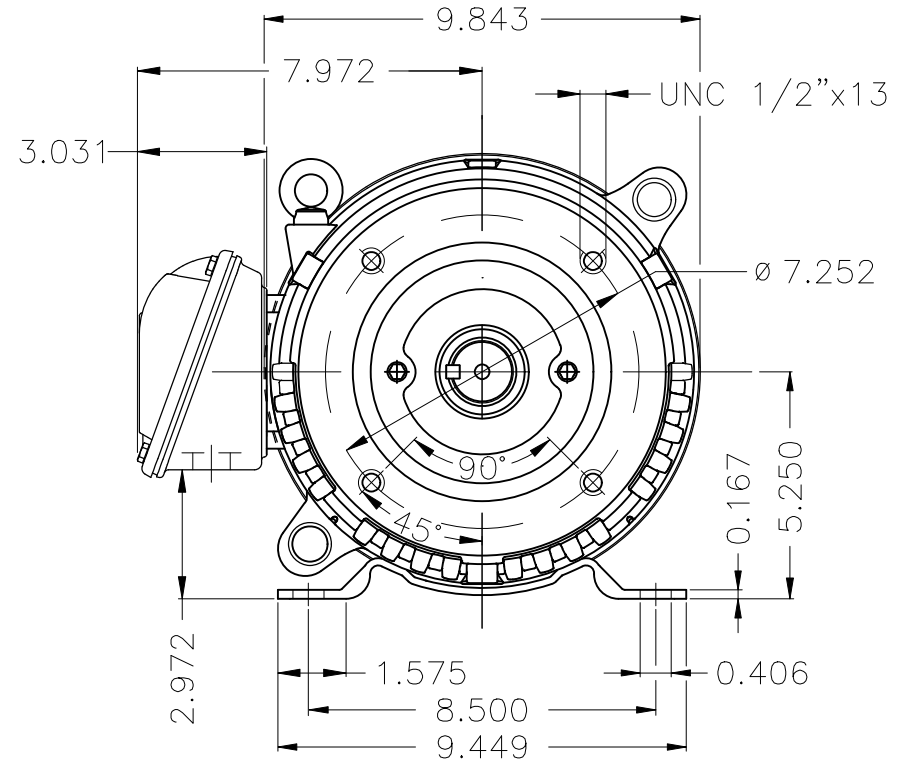
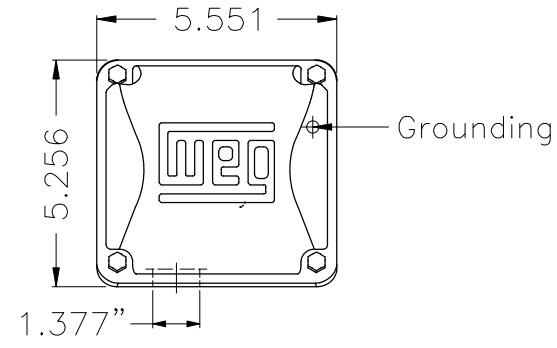


1 2 3 4 5 6

A
B
C
D
E



EUNC 1/2"-13 WEG WPR-7309

Color Munsell N 1 matte black		Painting plan 207N		Mounting B34D	
ECM	LOC	SUMMARY OF MODIFICATIONS	EXECUTED	CHECKED	RELEASED
EXECUTED	HYBRISUSER	THREE PH. MOTOR ROLLED STEEL JP NEMA PREM. EFF.			
CHECKED		FRAME 213/5JP IP21 ODP			
RELEASED					
REL. DATE	WMO	Jaragua do Sul	Product Engineering	HYBRISUSER 00	
7.5 HP 04 Poles 60 Hz			PREVIEW		
A			WDD 00		
			SHEET 1 / 1		