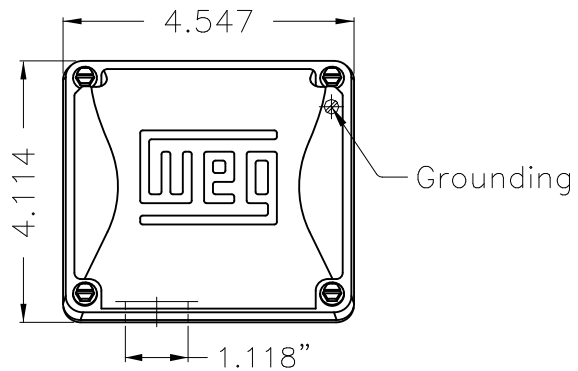
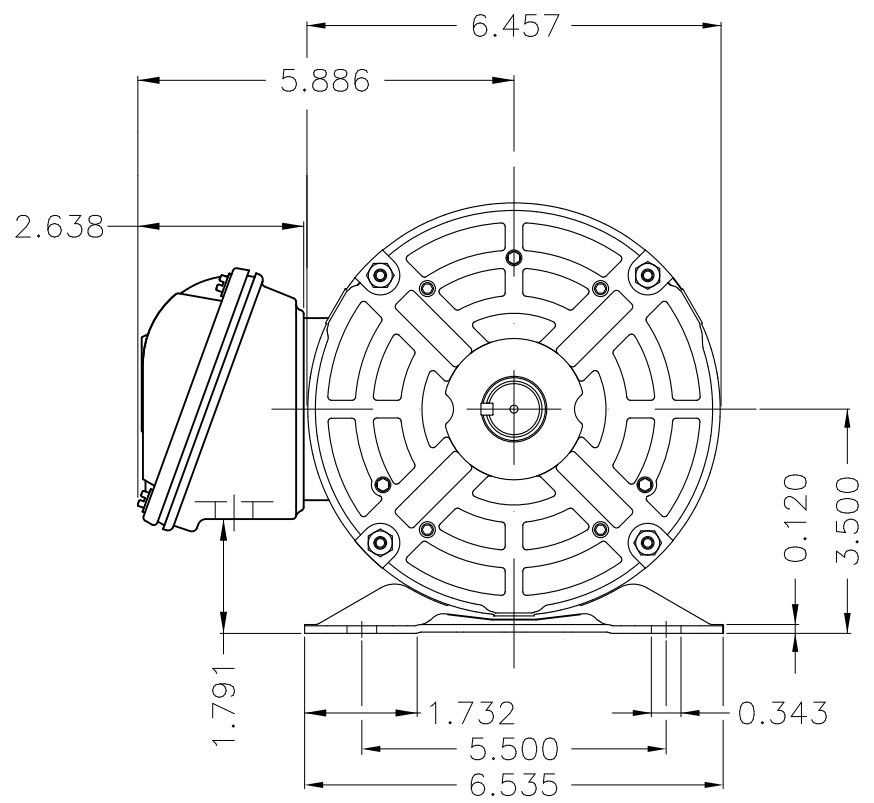


1 2 3 4 5 6

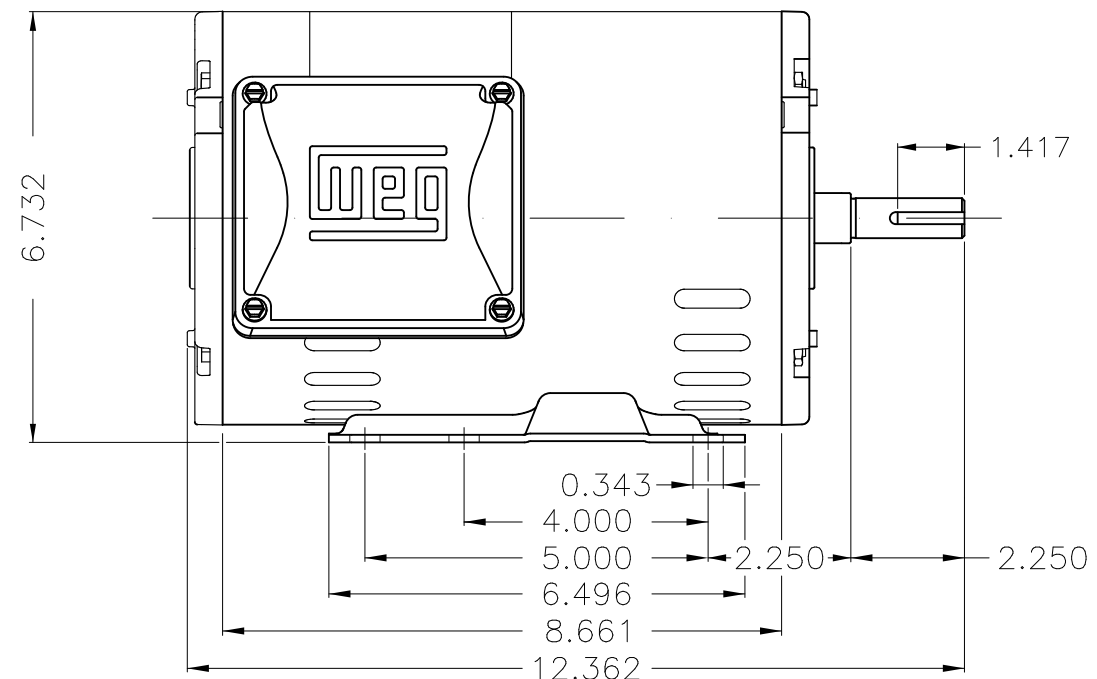
A



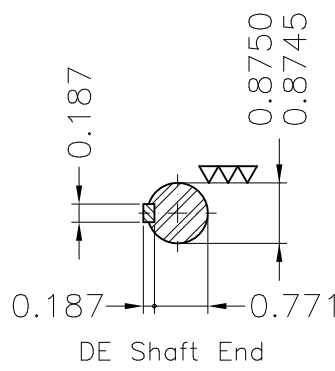
B



C



D



E

Color Munsell N 1 matte black										
Painting plan 207N										
Mounting F-1/B3R(D)										
								HYBRISUSER	00	
ECM	LOC	SUMMARY OF MODIFICATIONS					EXECUTED	CHECKED	RELEASED	DATE VER
EXECUTED	HYBRISUSER	THREE PH. MOTOR ROLLED STEEL NEMA PREM. EFF.					PREVIEW			
CHECKED		FRAME 143/5T IP21 ODP					WDD 00			
RELEASED										
REL. DATE	WMO									

1.5 HP 04 Poles 60 Hz

A

WEG's property. Forbidden reproduction without previous authorization.

Dimensions in inches

XME A3