

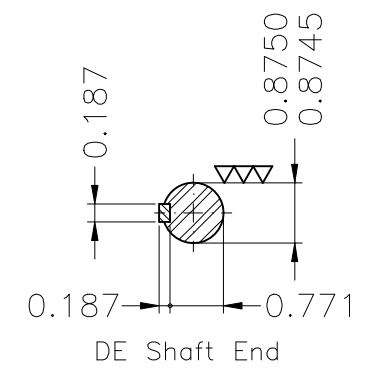
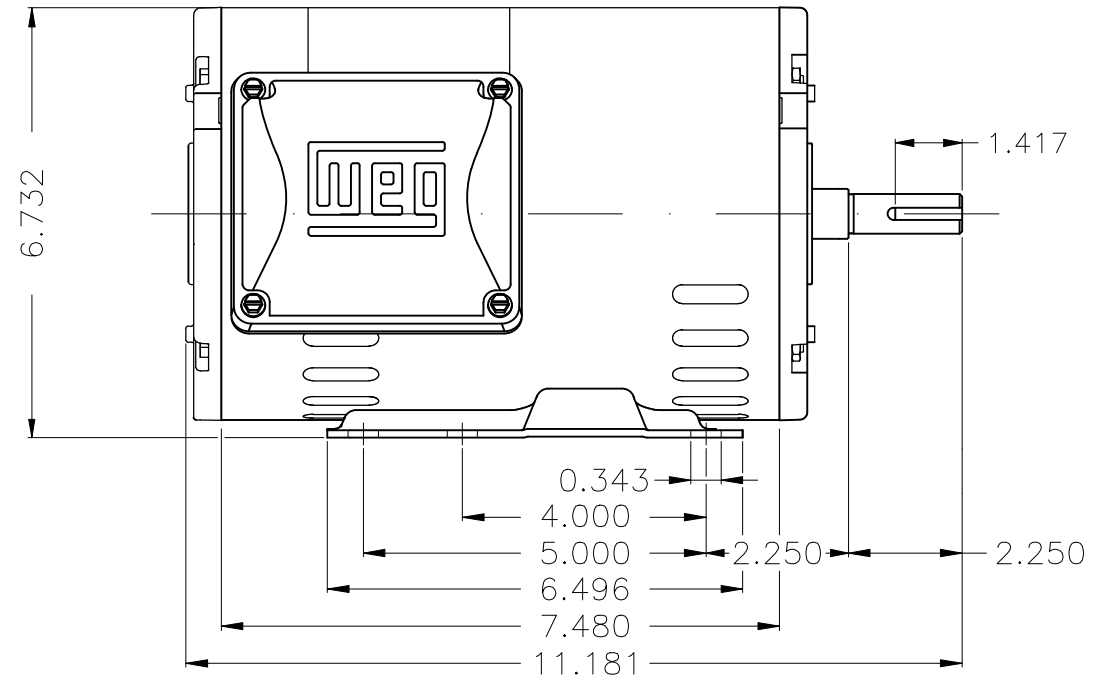
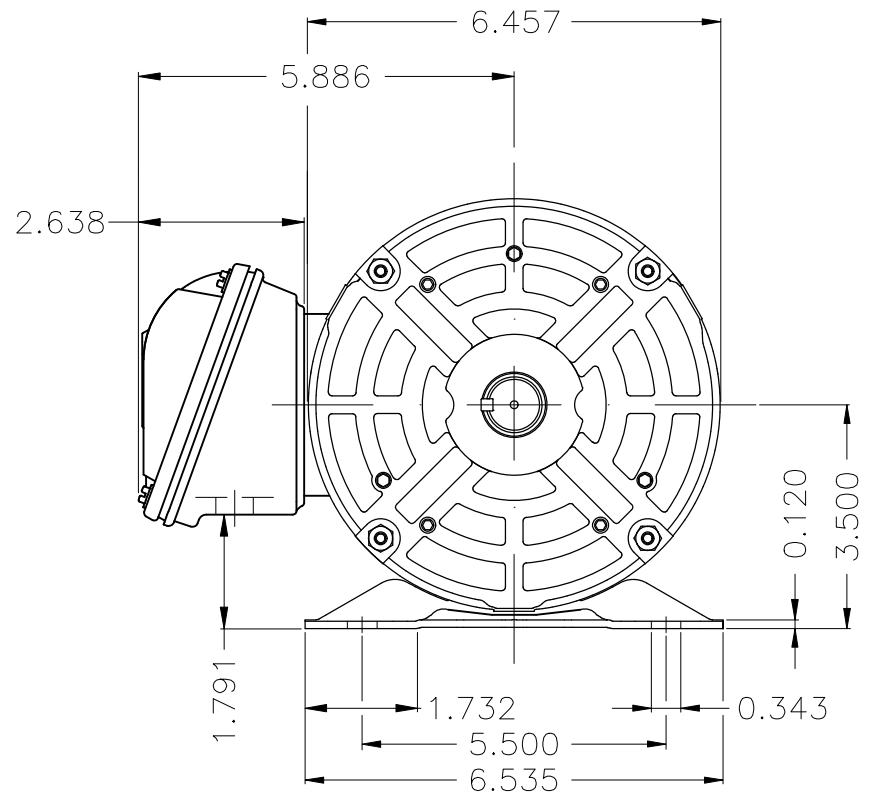
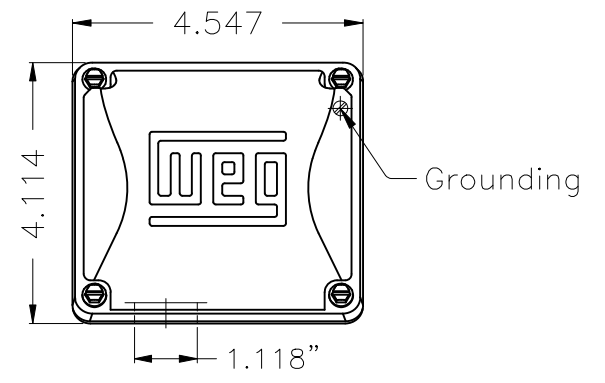
A

B

C

D

E



Color Munsell N 1 matte black  
 Painting plan 207N  
 Mounting F-1/B3R(D)

ECM	LOC	SUMMARY OF MODIFICATIONS	EXECUTED	CHECKED	RELEASED	DATE	VER
EXECUTED	HYBRISUSER	THREE PH. MOTOR ROLLED STEEL NEMA PREM. EFF. FRAME 143/5T IP21 ODP					
CHECKED							
RELEASED							
REL. DATE	WMO	Jaragua do Sul	Product Engineering	SHEET		1 / 1	

PREVIEW  
 WDD | 00

1.5 HP 02 Poles 60 Hz

A