

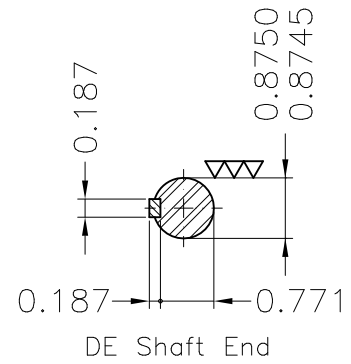
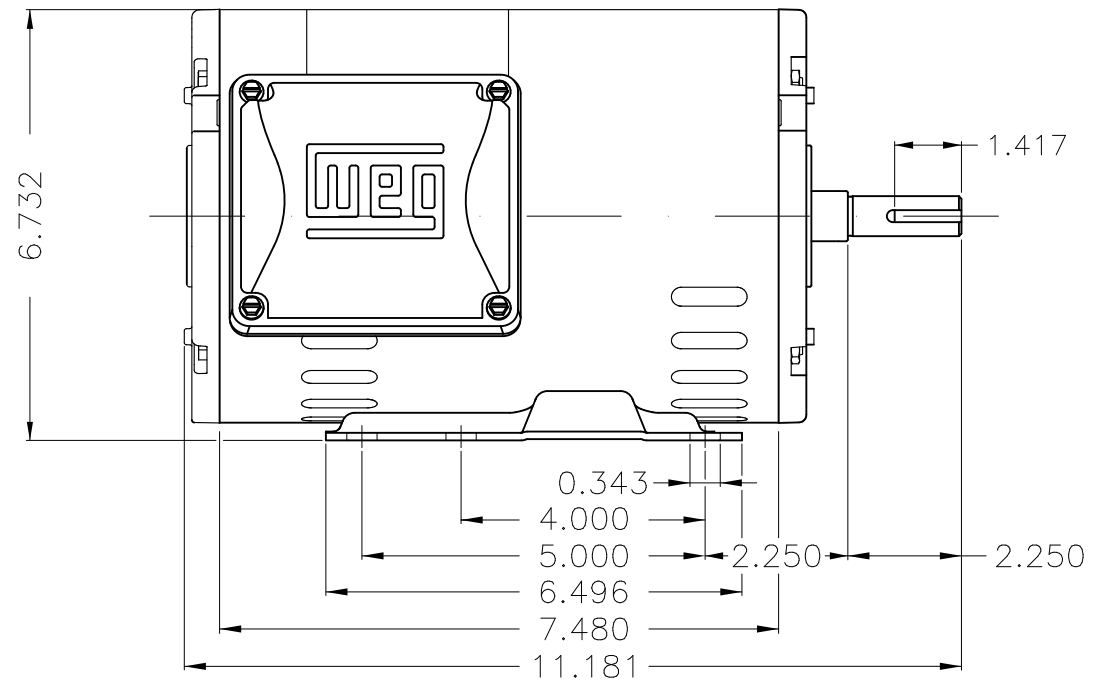
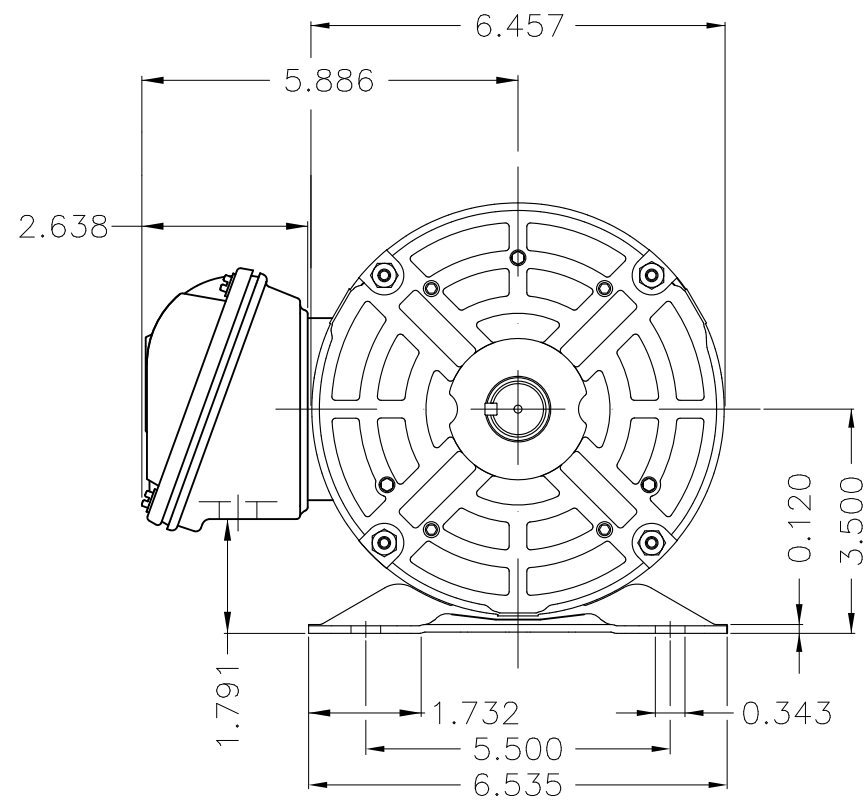
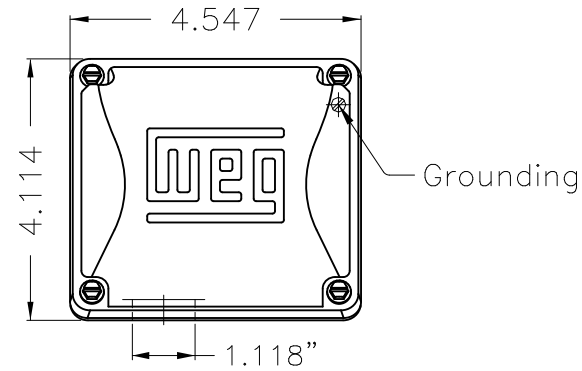
A

B

C

D

E



Color Munsell N 1 matte black
 Painting plan 207N
 Mounting F-1/B3R(D)

ECM		LOC		SUMMARY OF MODIFICATIONS				HYBRISUSER	EXECUTED	CHECKED	RELEASED	DATE	VER
EXECUTED	HYBRISUSER			THREE PH. MOTOR ROLLED STEEL NEMA PREM. EFF. FRAME 143/5T IP21 ODP				WDD		00			00
CHECKED													
RELEASED													
REL. DATE	WMO	Jaragua do Sul		Product Engineering				SHEET		1	/	1	

1.5 HP 02 Poles 60 Hz

A

