

1 2 3 4 5 6

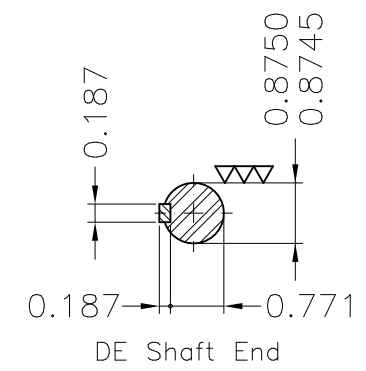
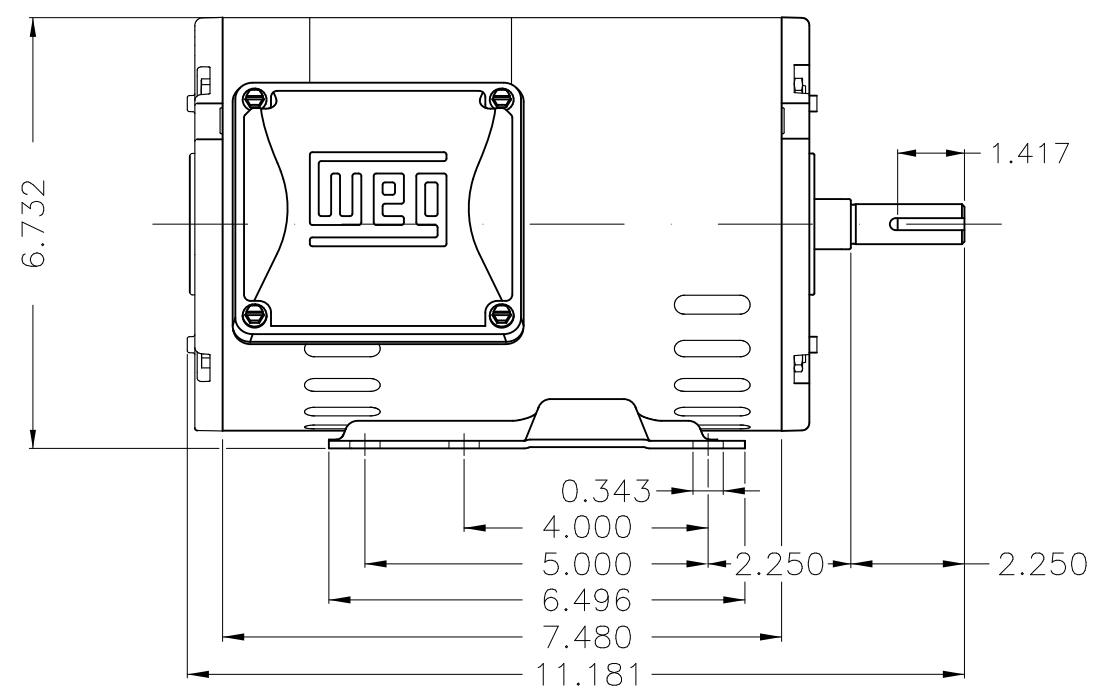
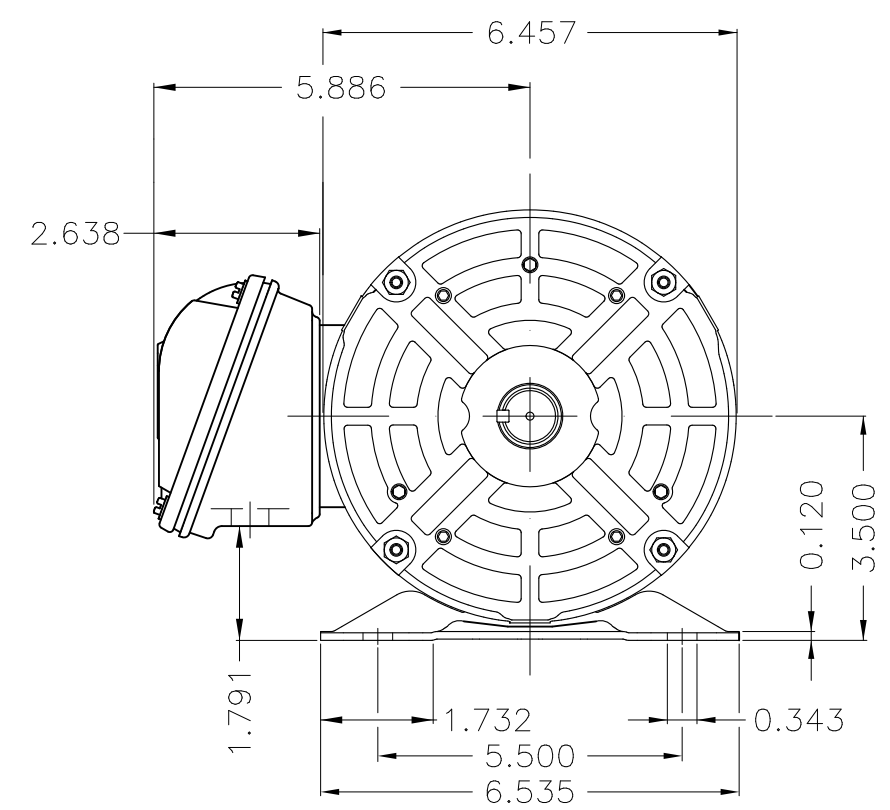
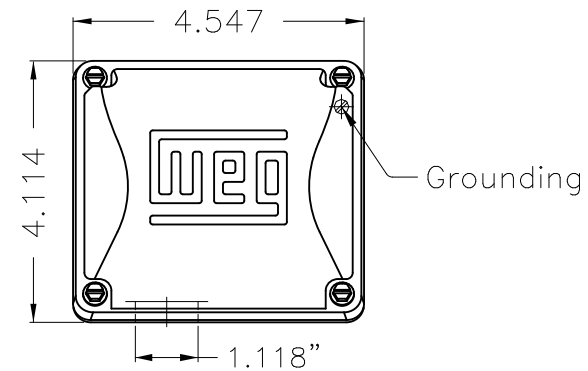
A

B

C

D

E



Color Munsell N 1 matte black
 Painting plan 207N
 Mounting F-1/B3R(D)

								HYBRISUSER						00		
ECM	LOC	SUMMARY OF MODIFICATIONS				EXECUTED	CHECKED	RELEASED	DATE	VER						
EXECUTED	HYBRISUSER	THREE PH. MOTOR ROLLED STEEL NEMA PREM. EFF.		FRAME 143/5T IP21 ODP		PREVIEW		WDD		00						
CHECKED																
RELEASED																
REL. DATE		WMO	Jaragua do Sul	Product Engineering	SHEET	1 / 1										

1 HP 04 Poles 60 Hz

A