

1 2 3 4 5 6

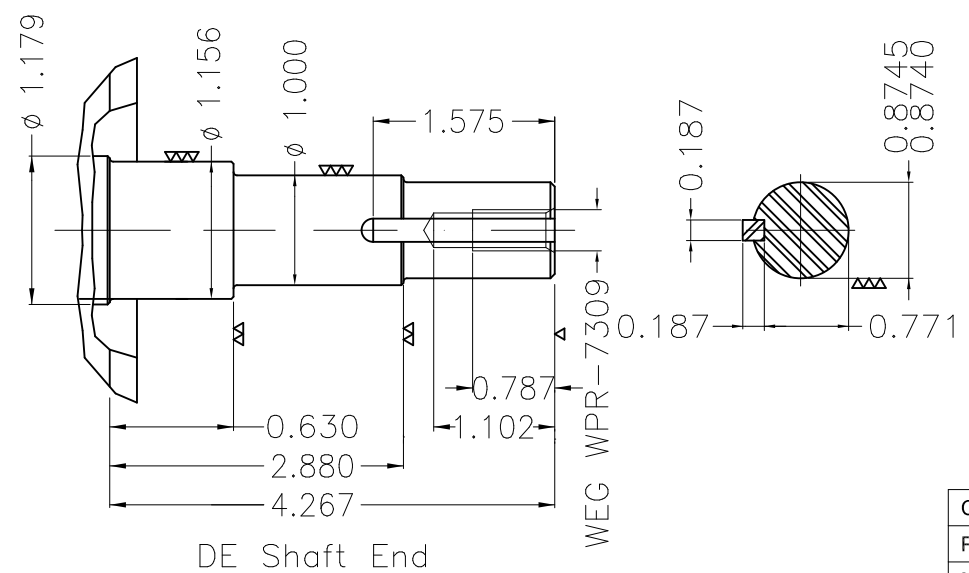
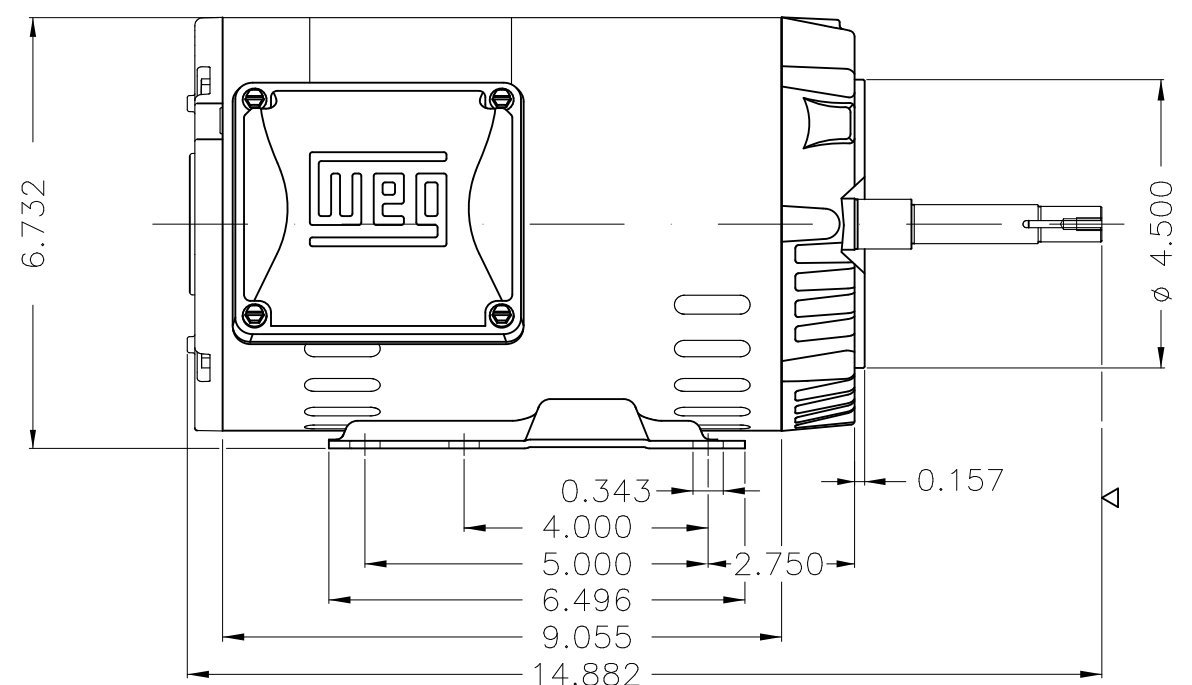
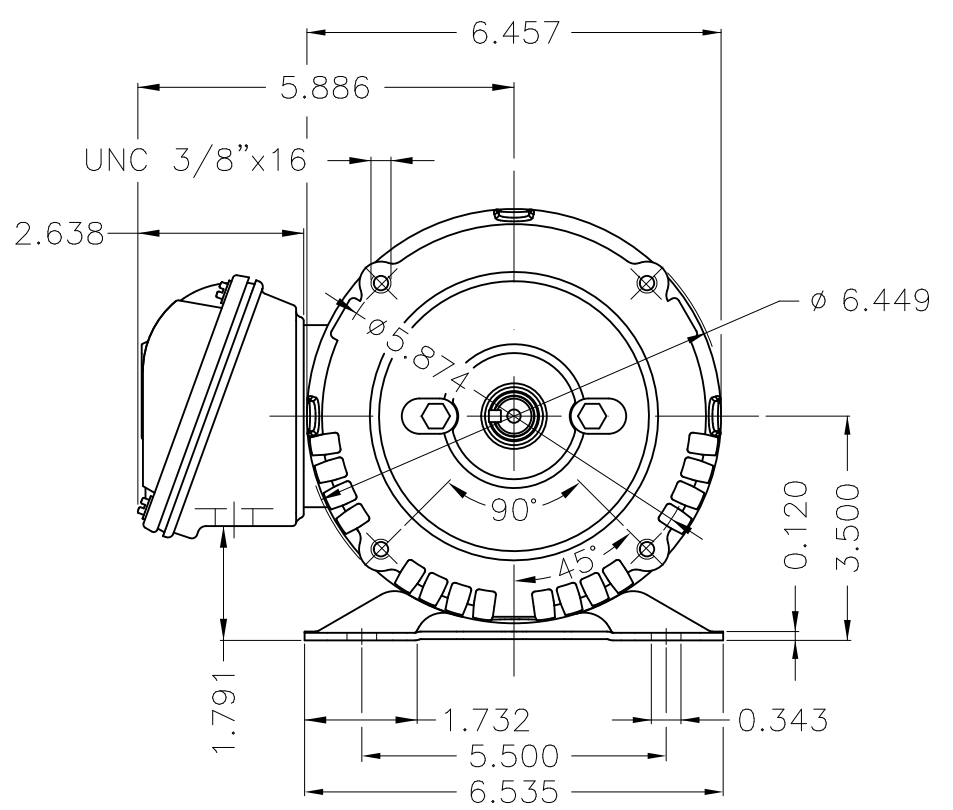
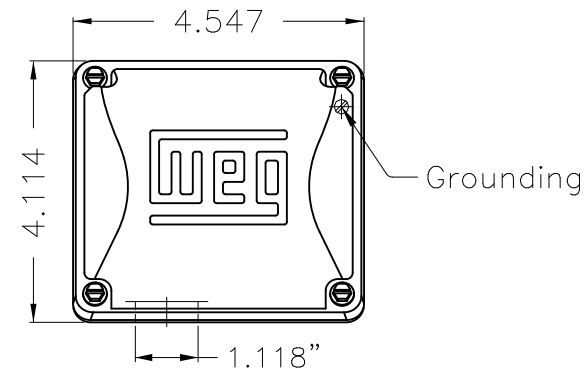
A

B

C

D

E



EUNC 3/8"-16 WEG WPR-7309

DE Shaft End

Color Munsell N 1 matte black					
Painting plan 207N					
Mounting F-1/B34R(D)					
				HYBRISUSER	00
ECM	LOC	SUMMARY OF MODIFICATIONS		EXECUTED	CHECKED
EXECUTED	HYBRISUSER	THREE PH. MOTOR ROLLED STEEL CLOSE COUPLED PUMP IN TYPE NEW PREM. EFF.		RELEASED	DATE
CHECKED		FRAME 143/5JM IP21 ODP			
RELEASED					
REL. DATE	WMO	Jaragua do Sul	Product Engineering	WDD	00
				SHEET	1 / 1

2 HP 04 Poles 60 Hz



Dimensions in inches XME A3