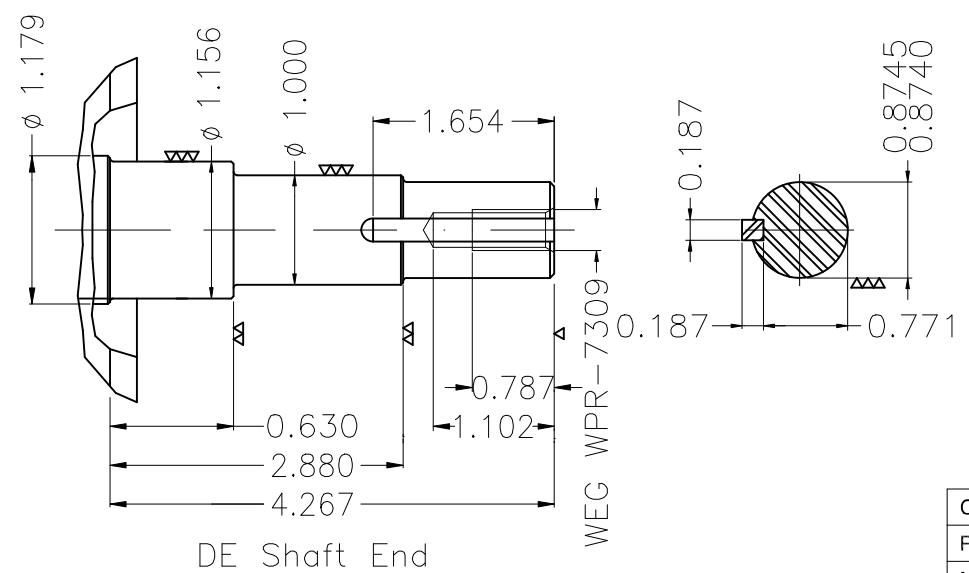
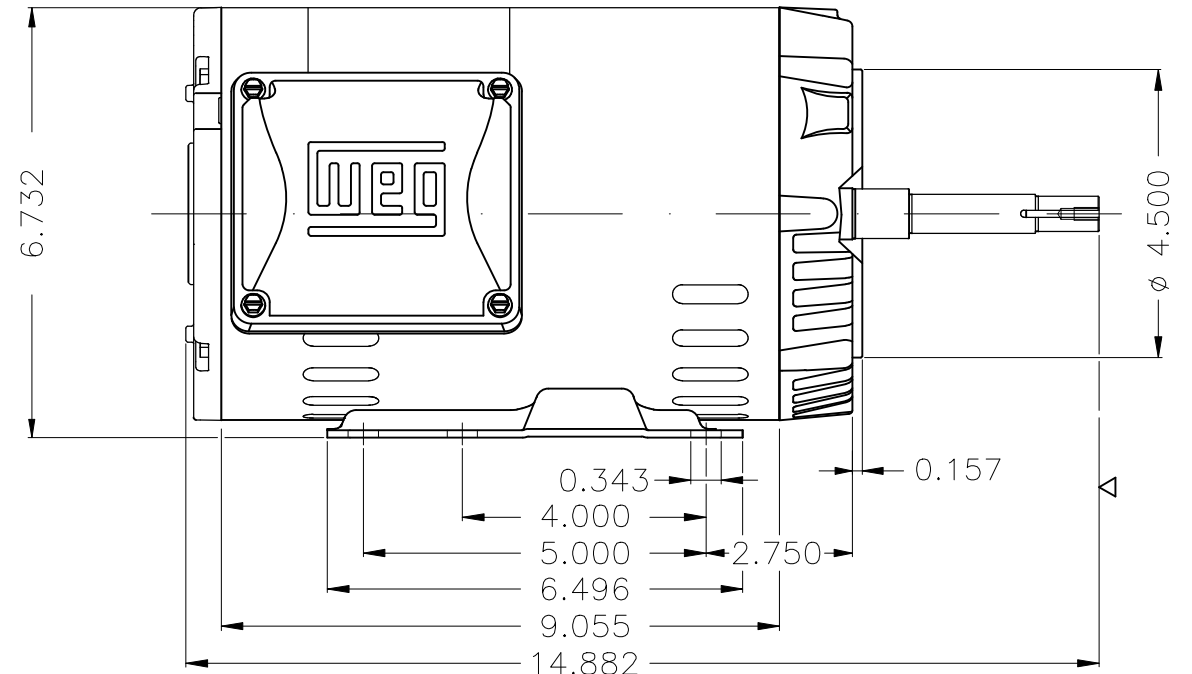
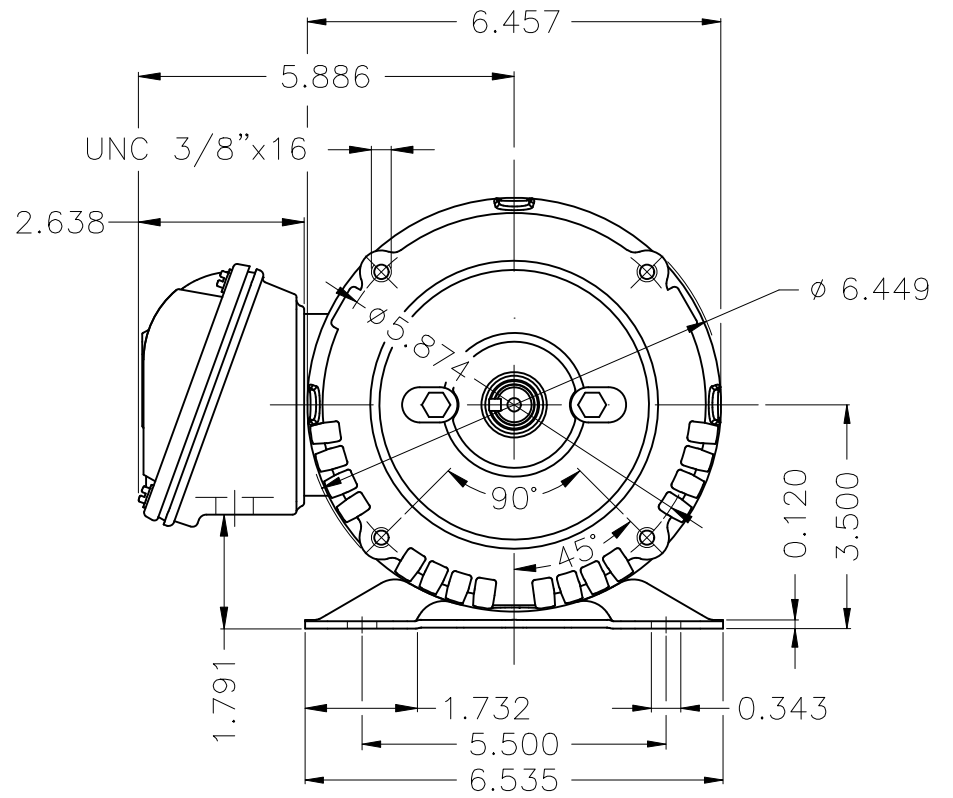
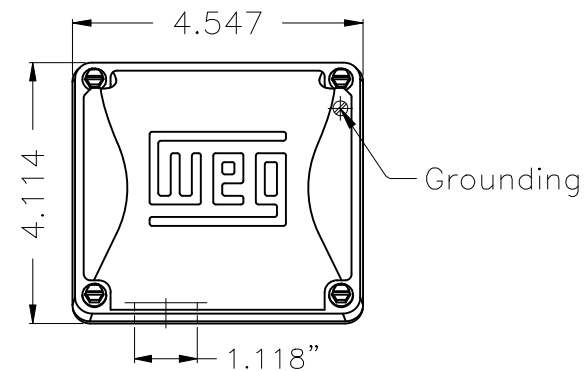


1 2 3 4 5 6

A
B
C
D
E



EUNC 3/8"-16 WEG WPR-7309

DE Shaft End

Color Munsell N 1 matte black					
Painting plan 207N					
Mounting B34D					
				HYBRISUSER	00
ECM	LOC	SUMMARY OF MODIFICATIONS		EXECUTED	CHECKED
EXECUTED	HYBRISUSER	THREE PH. MOTOR ROLLED STEEL JM NEMA PREM. EFF.			
CHECKED		FRAME 143/5JM IP21 ODP			
RELEASED					
REL. DATE		WMO	Jaragua do Sul	Product Engineering	

PREVIEW

WDD 00



2 HP 04 Poles 60 Hz

A