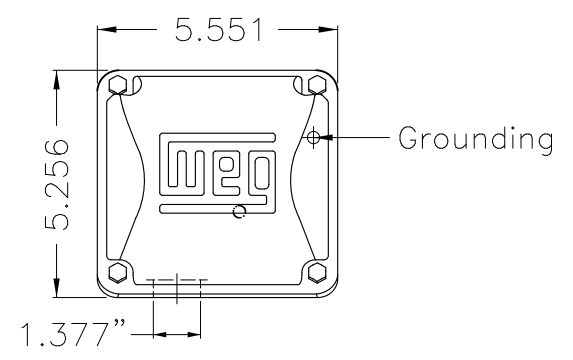
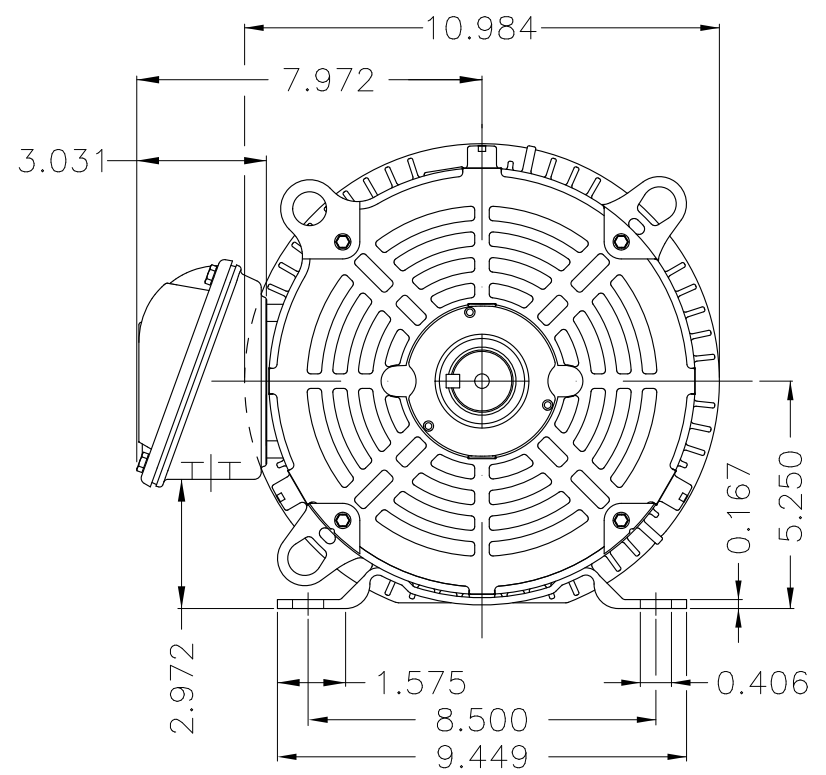


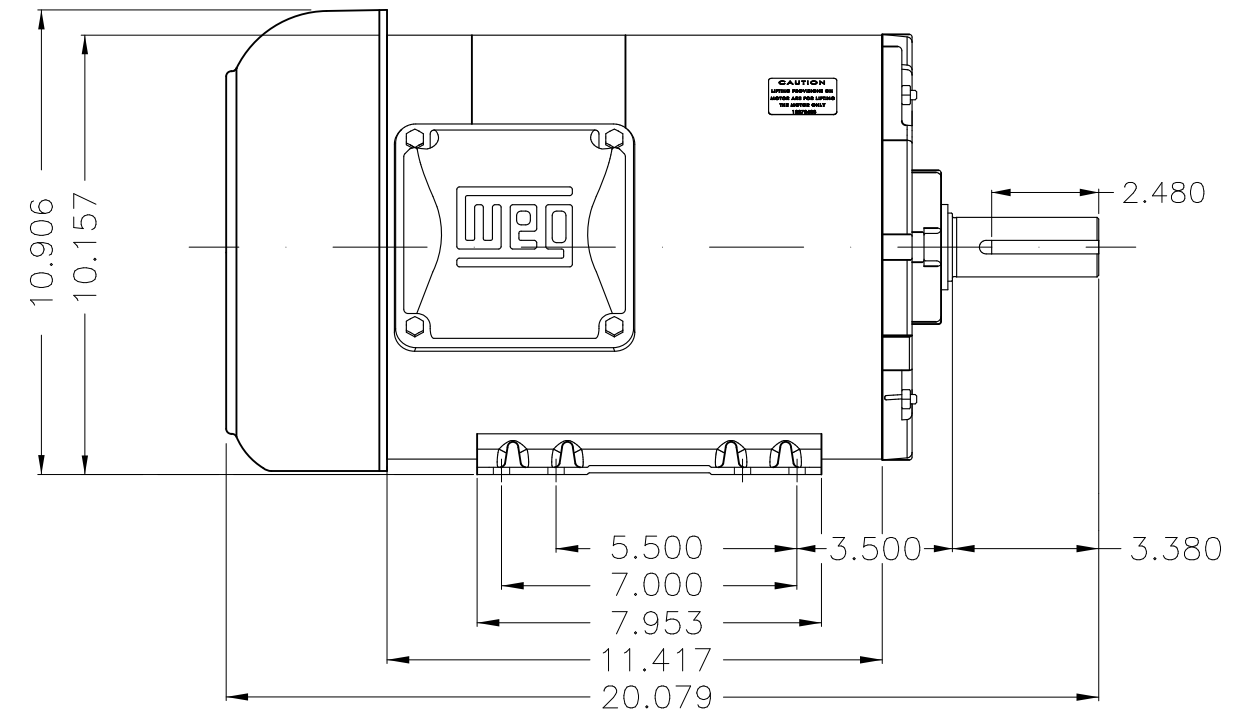
A



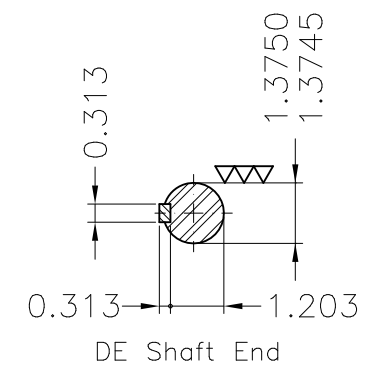
B



C



D



E

Color Munsell N 1 matte black					
Painting plan 207N					
Mounting F-1/B3R(D)					
				HYBRISUSER	00
ECM	LOC	SUMMARY OF MODIFICATIONS	EXECUTED	CHECKED	RELEASED
EXECUTED	HYBRISUSER	THREE PH. MOTOR ROLLED STEEL NEMA PREM. EFF.			
CHECKED		FRAME 213/5T IP55 TEFC			
RELEASED					
REL. DATE		WMO Jaragua do Sul	Product Engineering	<p>PREVIEW</p> <p>WDD 00</p> <p>SHEET 1 / 1</p>	

5 HP 06 Poles 60 Hz

A

