

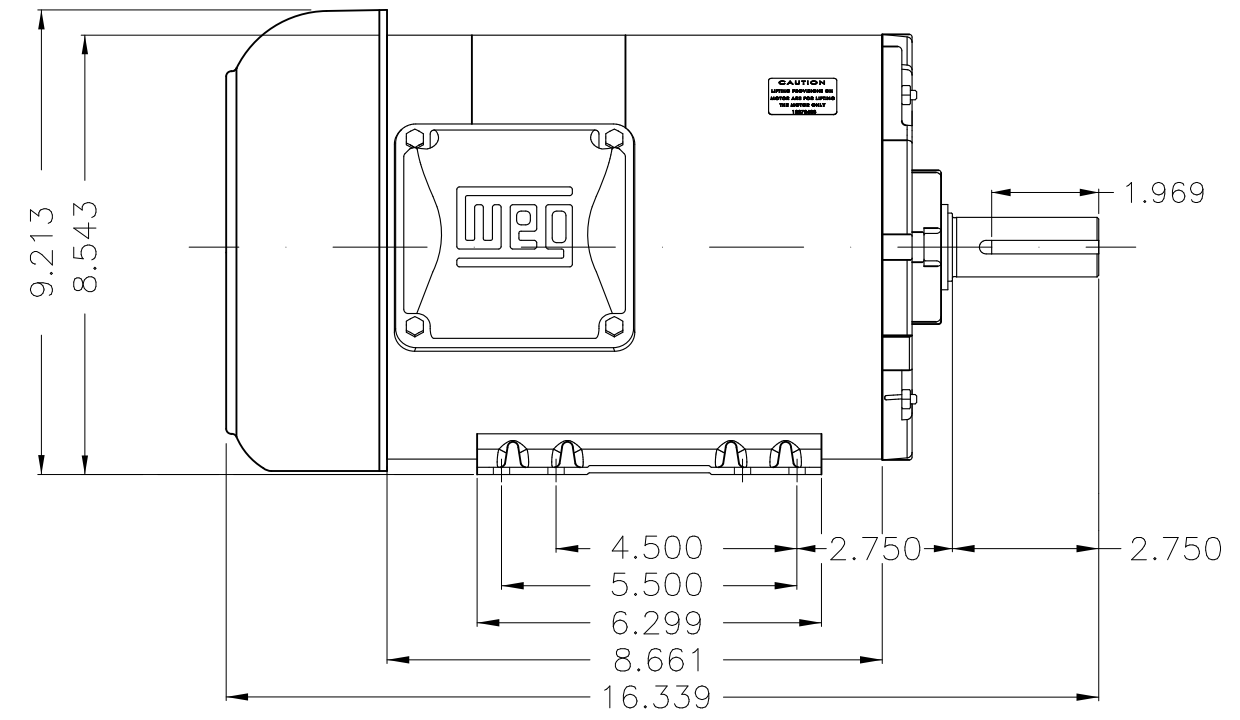
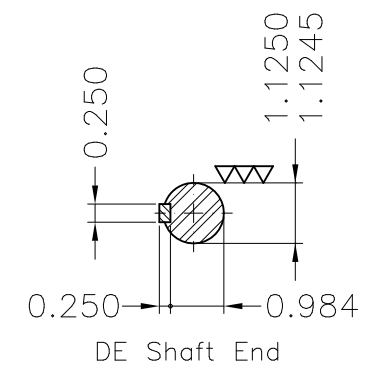
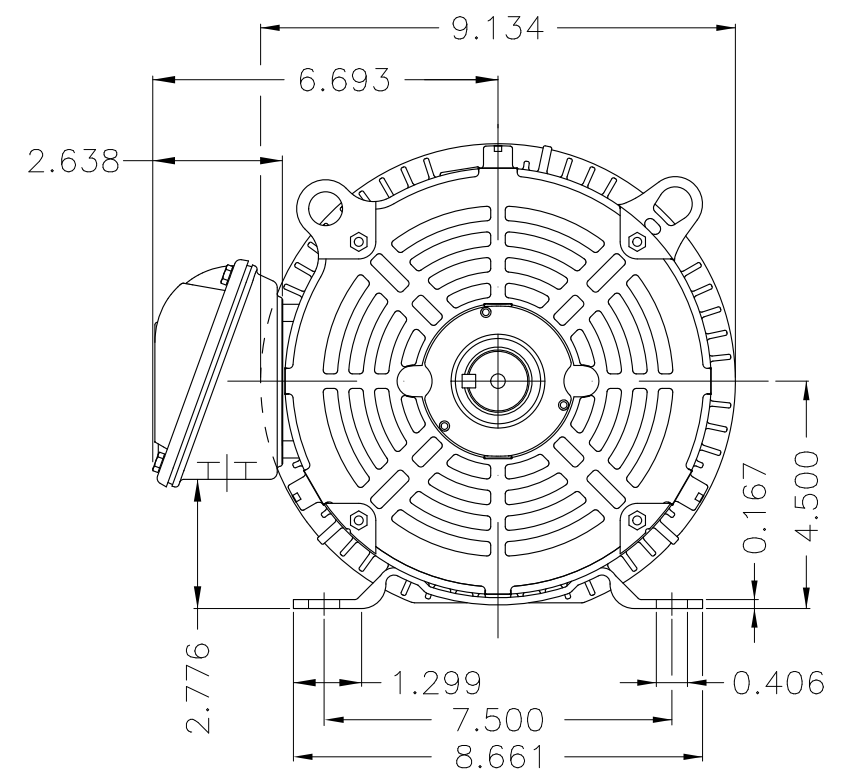
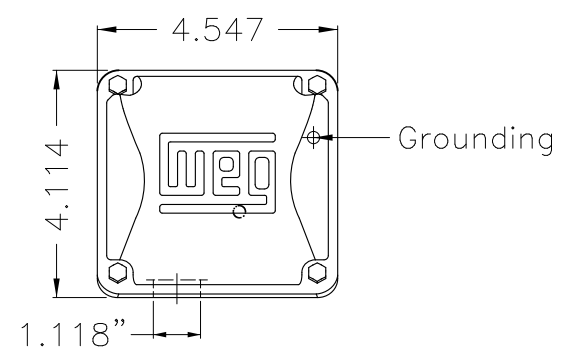
A

B

C

D

E



Color Munsell N 1 matte black									
Painting plan 207N									
Mounting F-1/B3R(D)									
					HYBRISUSER	00			
ECM	LOC	SUMMARY OF MODIFICATIONS			EXECUTED	CHECKED	RELEASED	DATE	VER
EXECUTED	HYBRISUSER	THREE PH. MOTOR ROLLED STEEL NEMA PREM. EFF.				PREVIEW			A3
CHECKED		FRAME 182/4T IP55 TEFC				WDD	00		
RELEASED						SHEET	1 / 1		
REL. DATE		WMO	Jaragua do Sul	Product Engineering					

1.5 HP 06 Poles 60 Hz