

1 2 3 4 5 6

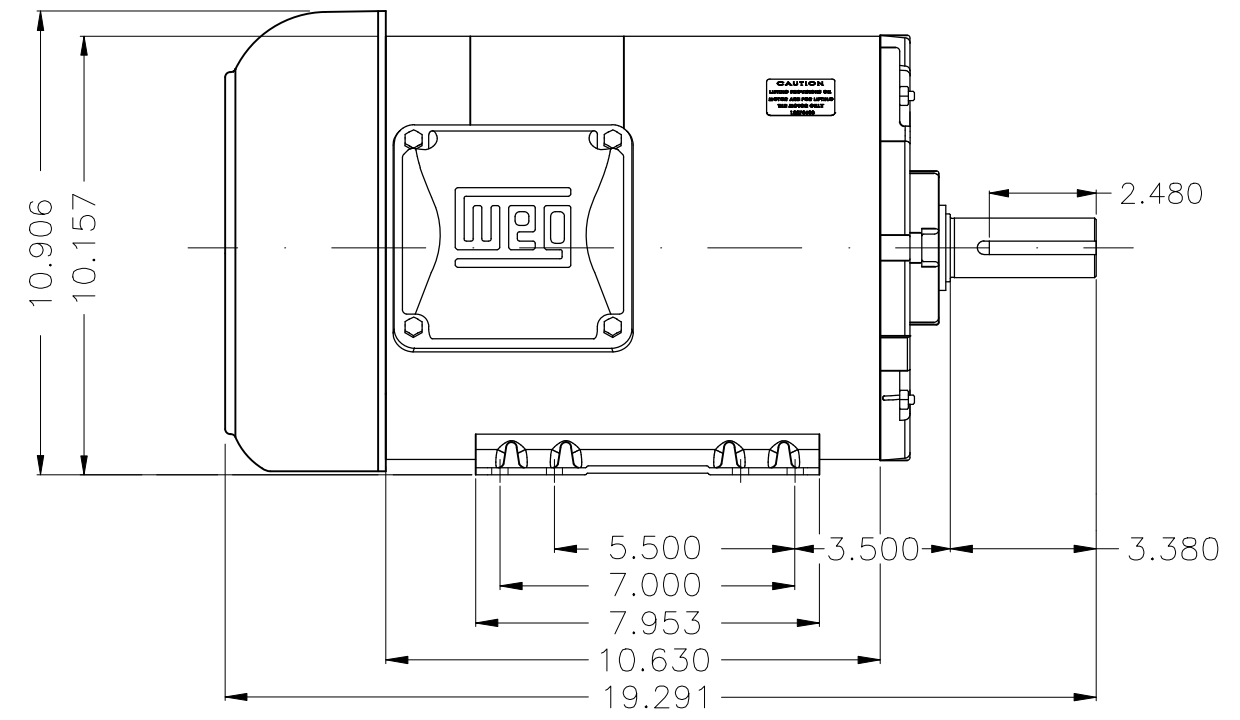
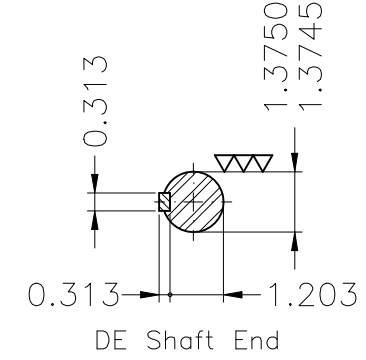
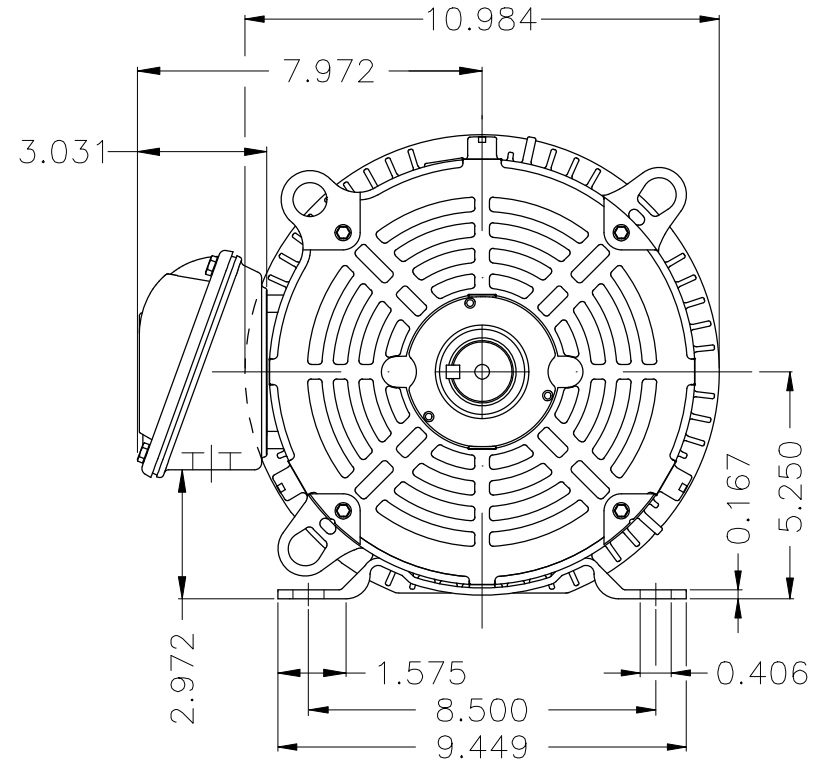
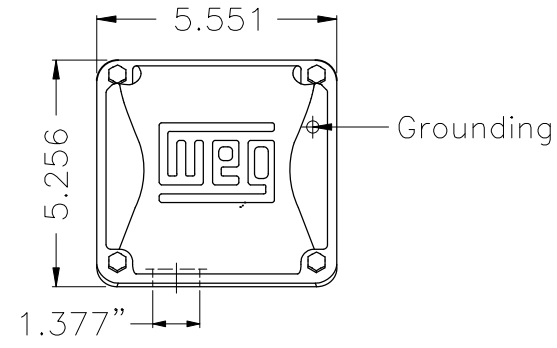
A

B

C

D

E



Color Munsell N 1 matte black
 Painting plan 207N
 Mounting F-1/B3R(D)

ECM	LOC	SUMMARY OF MODIFICATIONS	EXECUTED	CHECKED	RELEASED	DATE	VER
EXECUTED	HYBRISUSER	THREE PH. MOTOR ROLLED STEEL NEMA PREM. EFF.					00
CHECKED		FRAME 213/5T IP55 TEFC					
RELEASED							

10 HP 04 Poles 60 Hz

REL. DATE WMO Jaragua do Sul Product Engineering SHEET 1 / 1

HYBRISUSER 00

PREVIEW

WDD 00

Dimensions in inches XME A3