

1 2 3 4 5 6

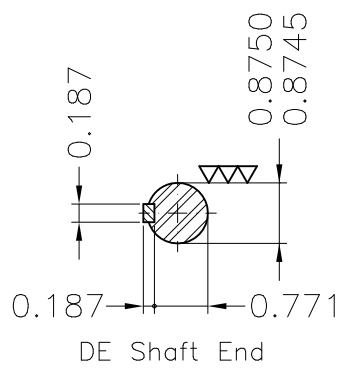
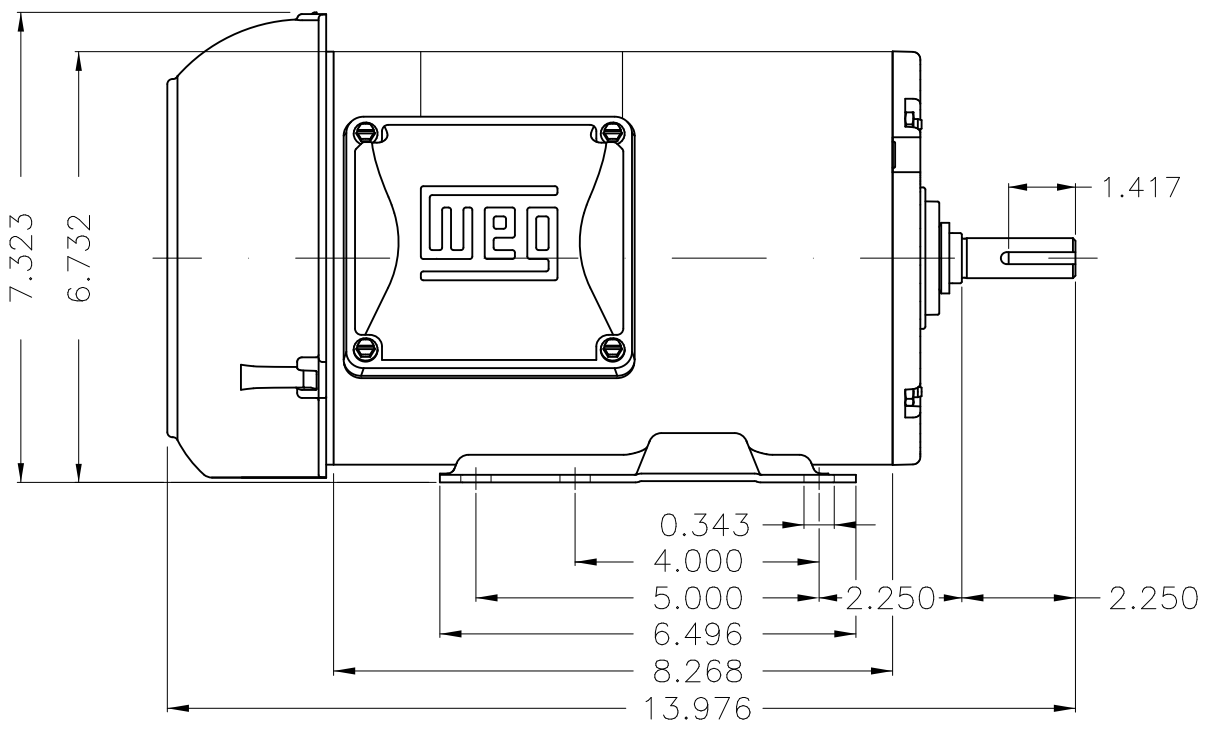
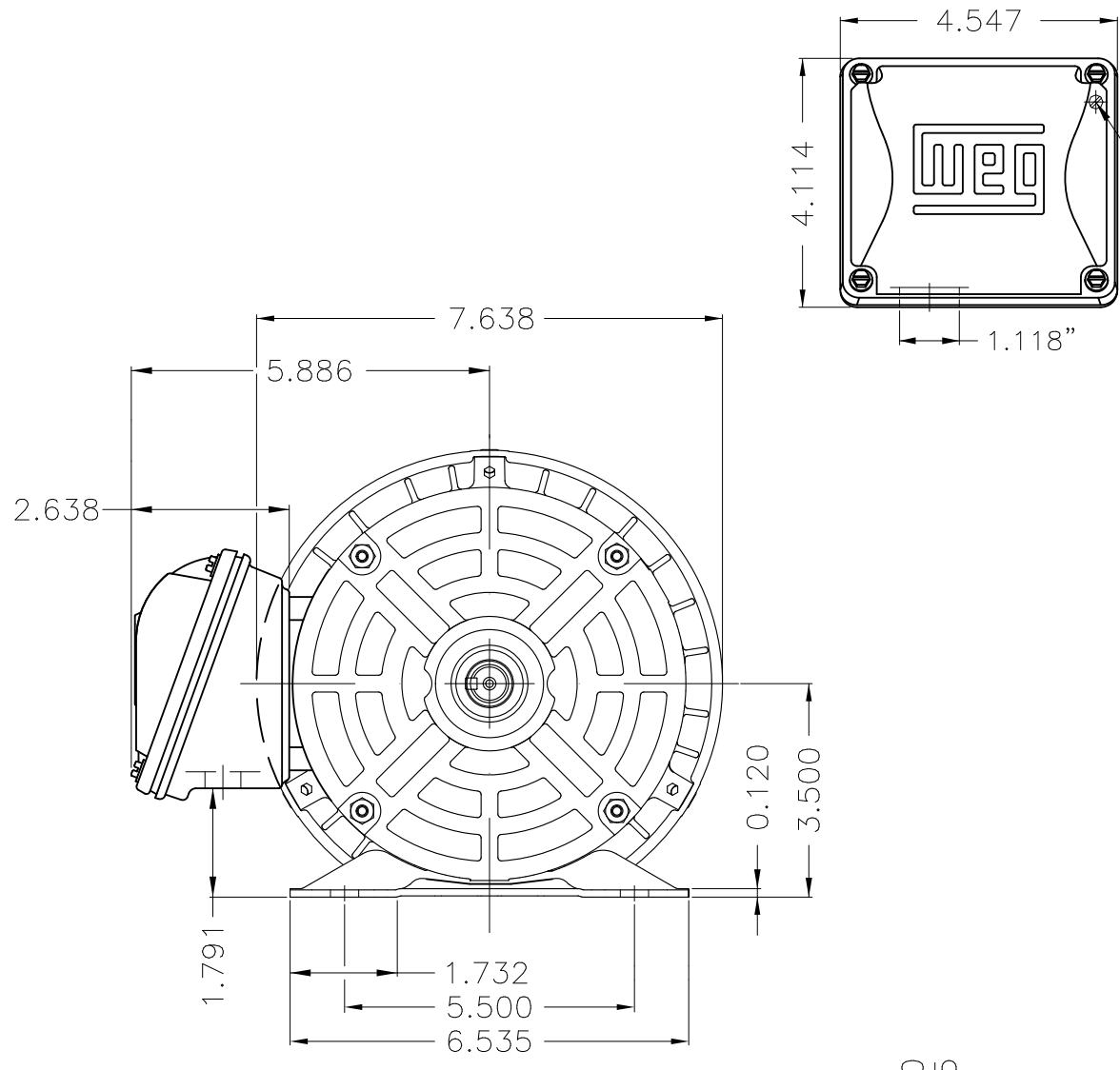
A

B

C

D

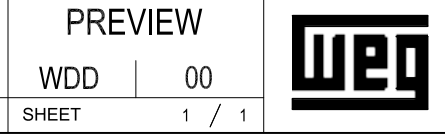
E



Color Munsell N 1 matte black									
Painting plan 207N									
Mounting F-1/B3R(D)									
					HYBRISUSER	00			
ECM	LOC	SUMMARY OF MODIFICATIONS			EXECUTED	CHECKED	RELEASED	DATE	VER
EXECUTED	HYBRISUSER	THREE PH. MOTOR ROLLED STEEL NEMA PREM. EFF. FRAME 143/5T IP55 TEFC							
CHECKED									
RELEASED									
REL. DATE		WMO	Jaragua do Sul	Product Engineering	PREVIEW		WDD	00	
					SHEET	1 / 1			

2 HP 04 Poles 60 Hz

A WMO Jaragua do Sul Product Engineering



Dimensions in inches XME A3