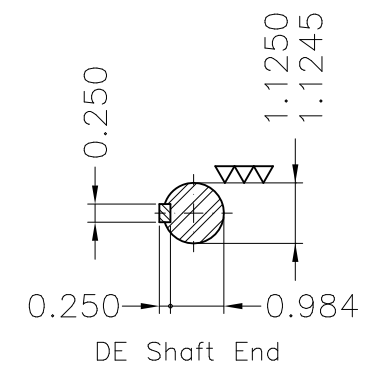
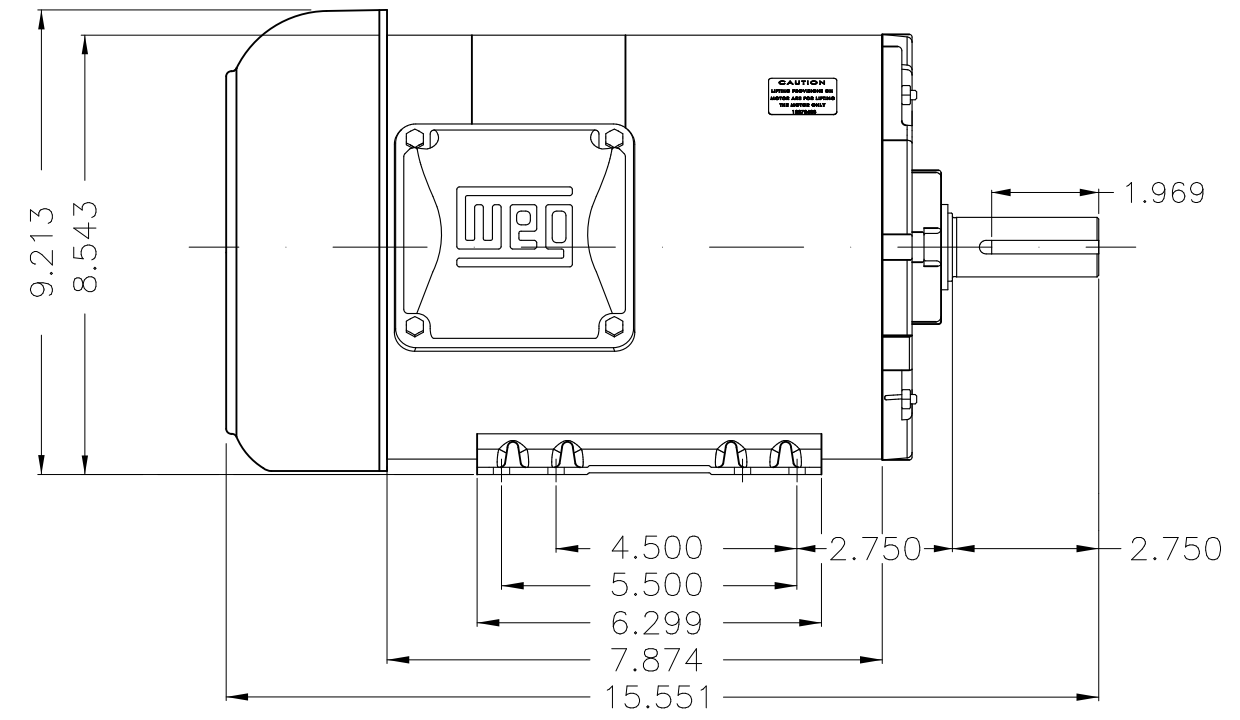
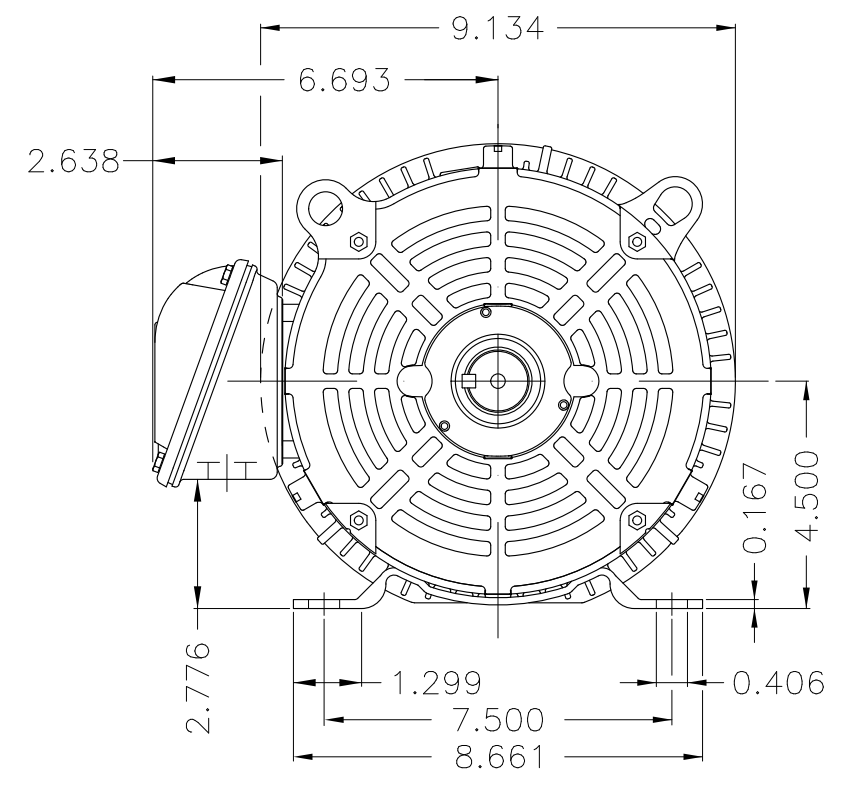
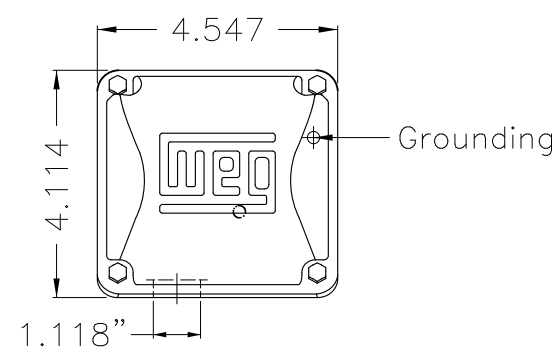


A  
B  
C  
D  
E



Color Munsell N 1 matte black  
Painting plan 207N  
Mounting F-1/B3R(D)

						HYBRISUSER												00	
ECM	LOC	SUMMARY OF MODIFICATIONS						EXECUTED	CHECKED	RELEASED	DATE	VER							

EXECUTED	HYBRISUSER		THREE PH. MOTOR ROLLED STEEL NEMA PREM. EFF.	PREVIEW		
CHECKED			FRAME 182/4T IP55 TEFC	WDD	00	
RELEASED				SHEET	1 / 1	

3 HP 02 Poles 60 Hz

A REL. DATE WMO Jaragua do Sul Product Engineering SHEET 1 / 1