

1 2 3 4 5 6

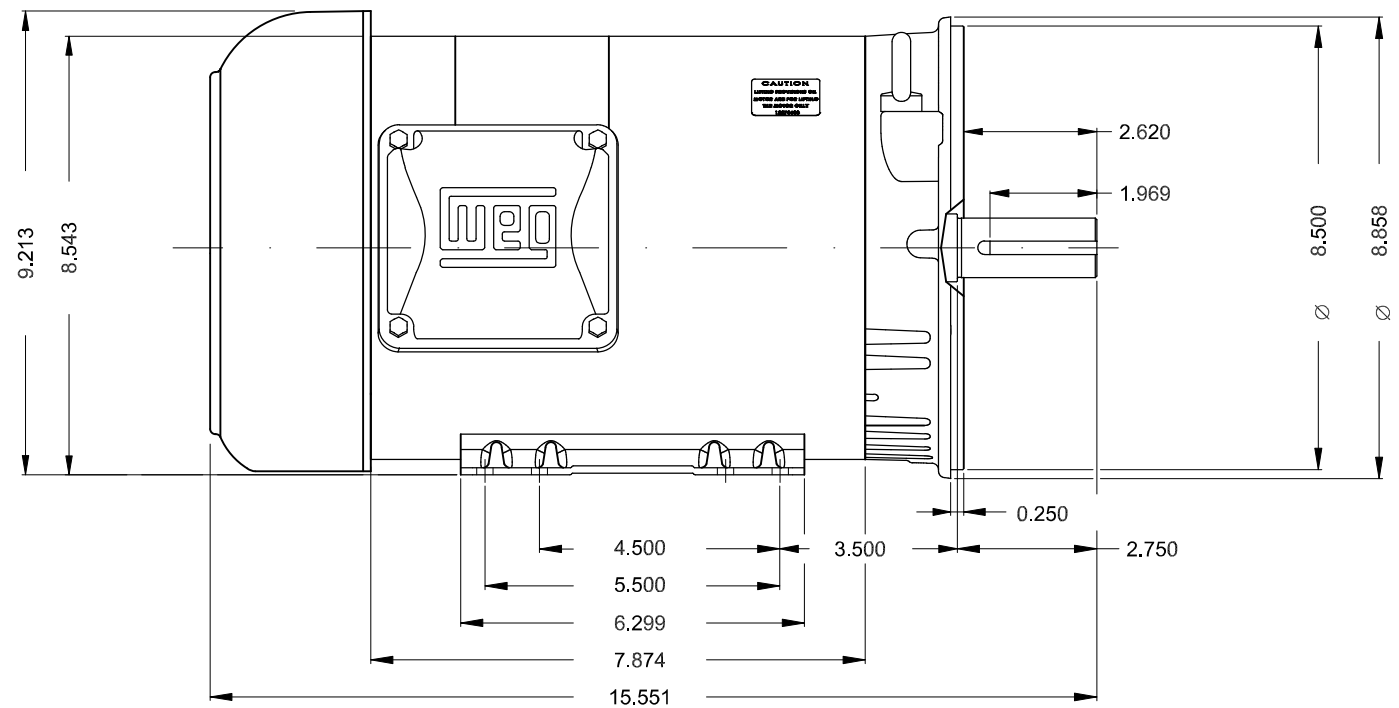
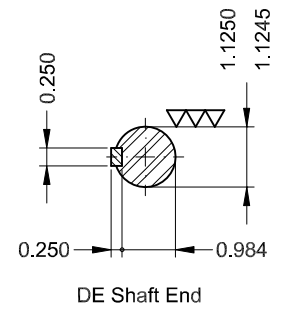
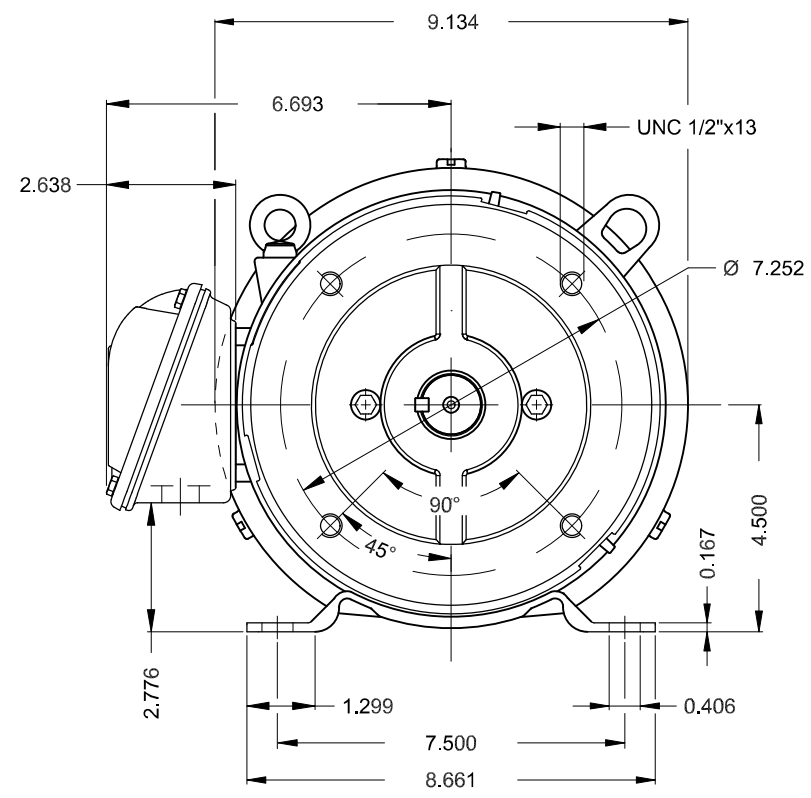
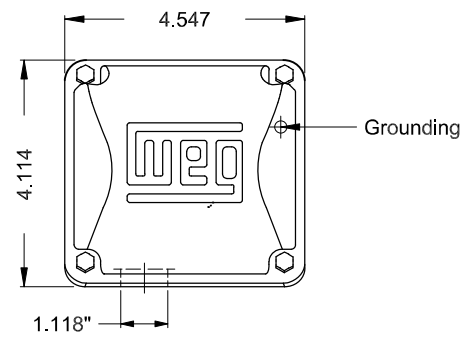
A

B

C

D

E



CAUTION  
Do not touch  
the motor parts  
when the motor  
is running.

Color Munsell N 1 matte black  
Painting plan 207N  
Mounting B34D

			HYBRISUSER						00
ECM	LOC	SUMMARY OF MODIFICATIONS			EXECUTED	CHECKED	RELEASED	DATE	VER
EXECUTED	HYBRISUSER	THREE PH. MOTOR ROLLED STEEL NEMA PREM. EFF.							
CHECKED		FRAME 182/4TC IP55 TEFC							
RELEASED									
REL. DATE		WMO	Jaragua do Sul	Product Engineering	PREVIEW WDD 00		SHEET 1 / 1		

3 HP 02 Poles 60 Hz

A