

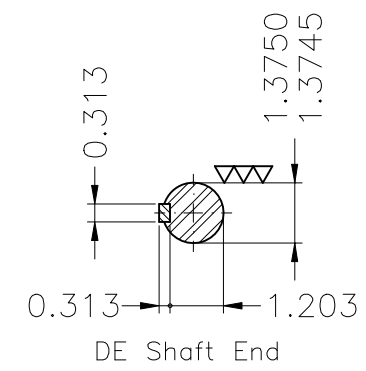
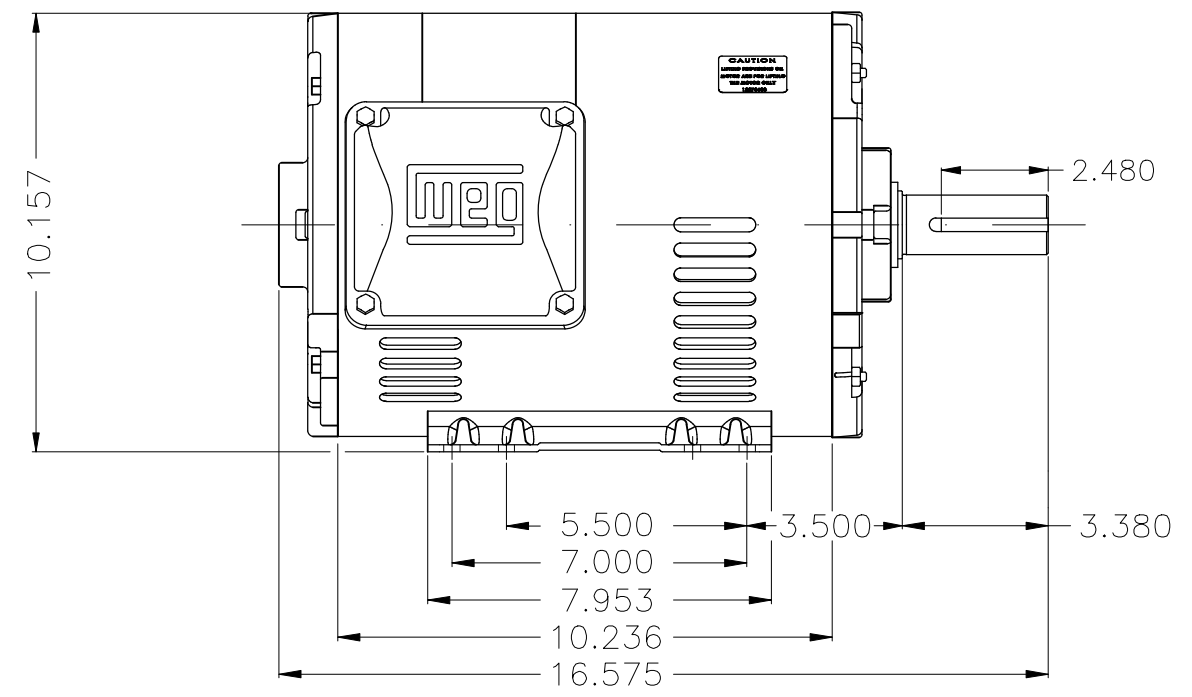
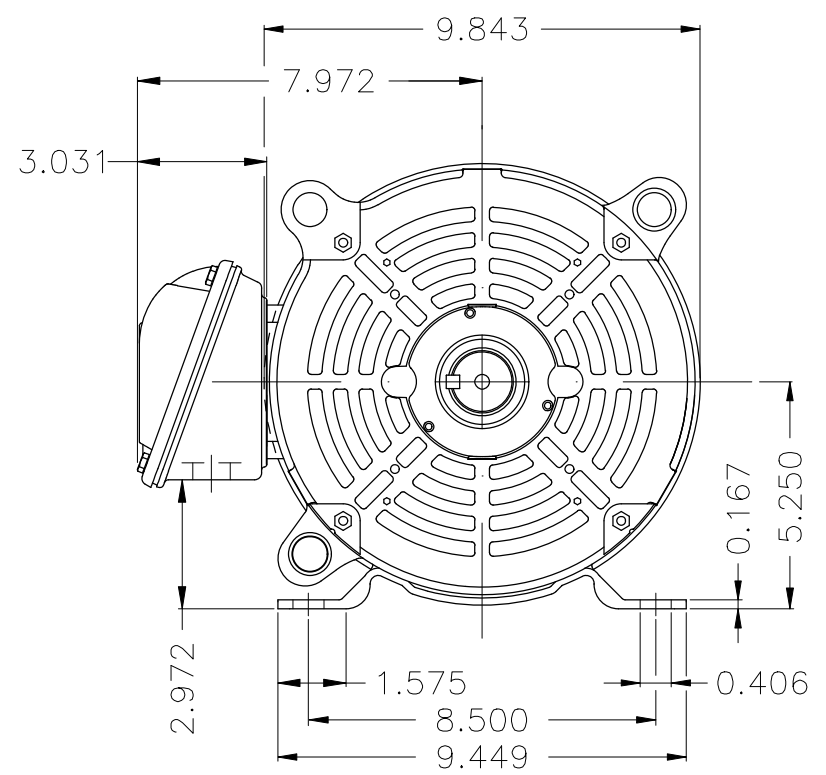
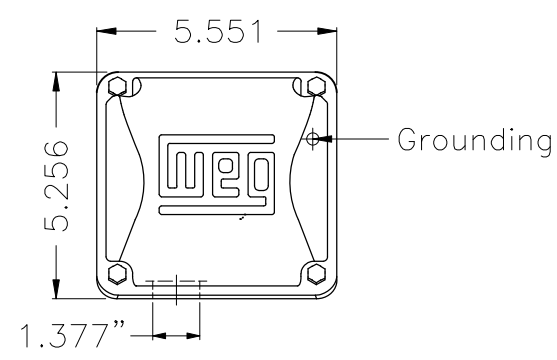
A

B

C

D

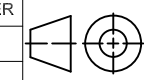
E



Color Munsell N 1 matte black						
Painting plan 207N						
Mounting F-1/B3R(D)						
				HYBRISUSER		00
ECM	LOC	SUMMARY OF MODIFICATIONS		EXECUTED	CHECKED	RELEASED
EXECUTED	HYBRISUSER	THREE PH. MOTOR ROLLED STEEL NEMA PREM. EFF.				
CHECKED		FRAME 213/5T IP21 ODP				
RELEASED						
REL. DATE		WMO	Jaragua do Sul	Product Engineering	SHEET 1 / 1	

7.5 HP 04 Poles 60 Hz

A



PREVIEW
WDD 00

