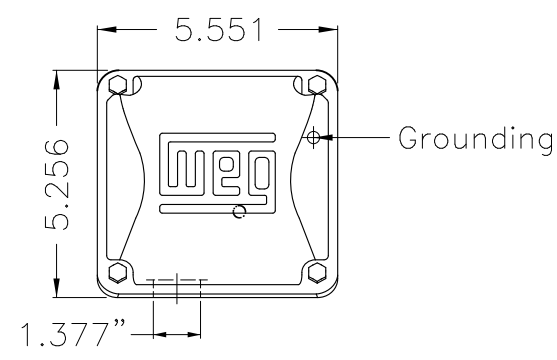
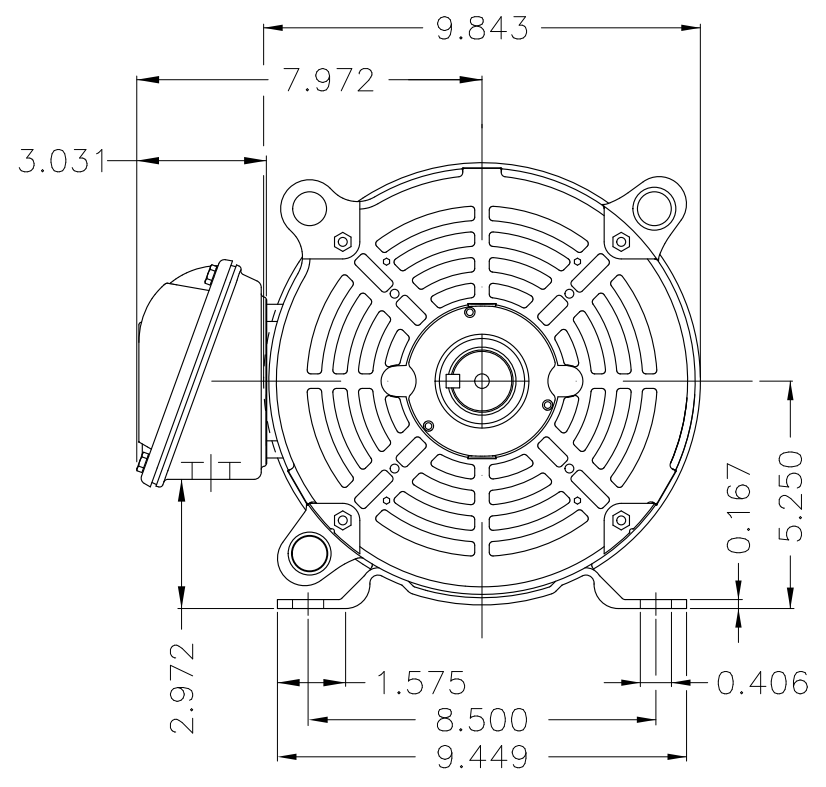


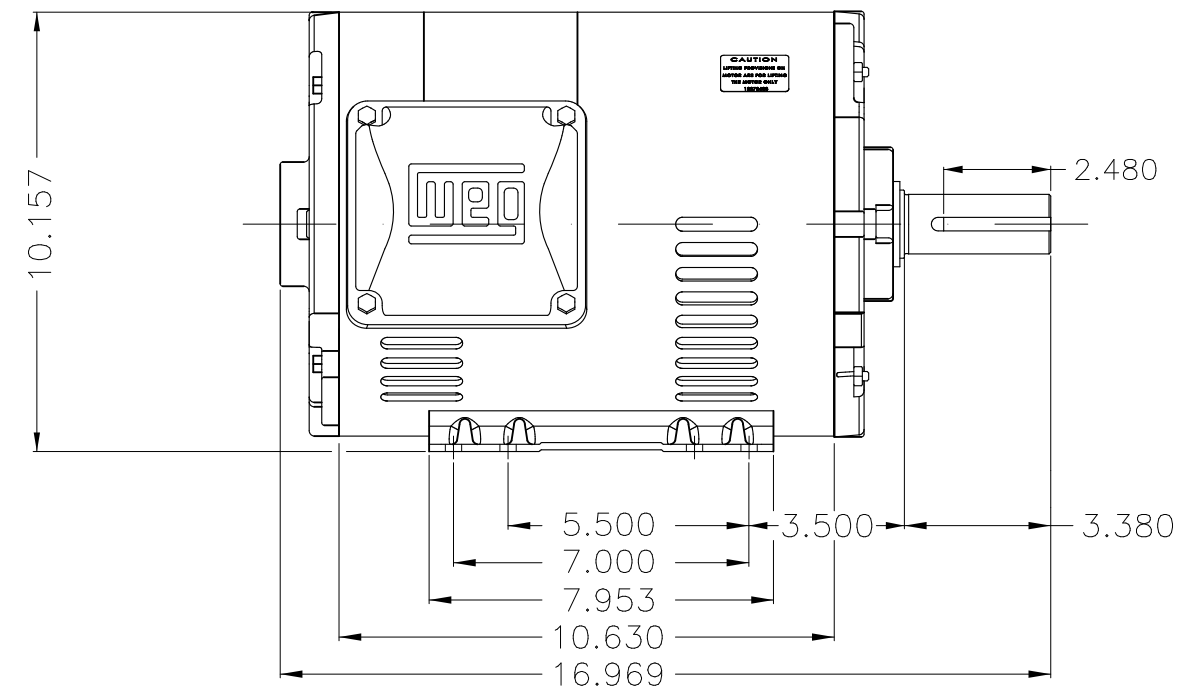
A



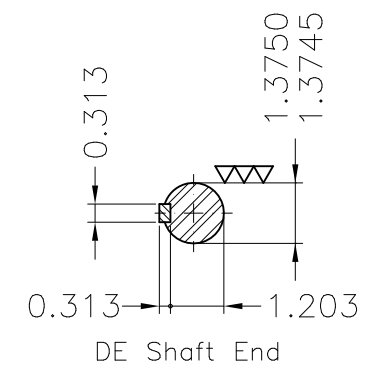
B




C



D



E

Color Munsell N 1 matte black						
Painting plan 207N						
Mounting F-1/B3R(D)						
					HYBRISUSER	00
ECM	LOC	SUMMARY OF MODIFICATIONS			EXECUTED	CHECKED
EXECUTED	HYBRISUSER	THREE PH. MOTOR ROLLED STEEL NEMA PREM. EFF.			RELEASED	DATE
CHECKED		FRAME 213/5T IP21 ODP			VER	
RELEASED						
REL. DATE	WMO	Jaragua do Sul	Product Engineering	SHEET 1 / 1 <b>WDD 00</b> 		

10 HP 02 Poles 60 Hz