

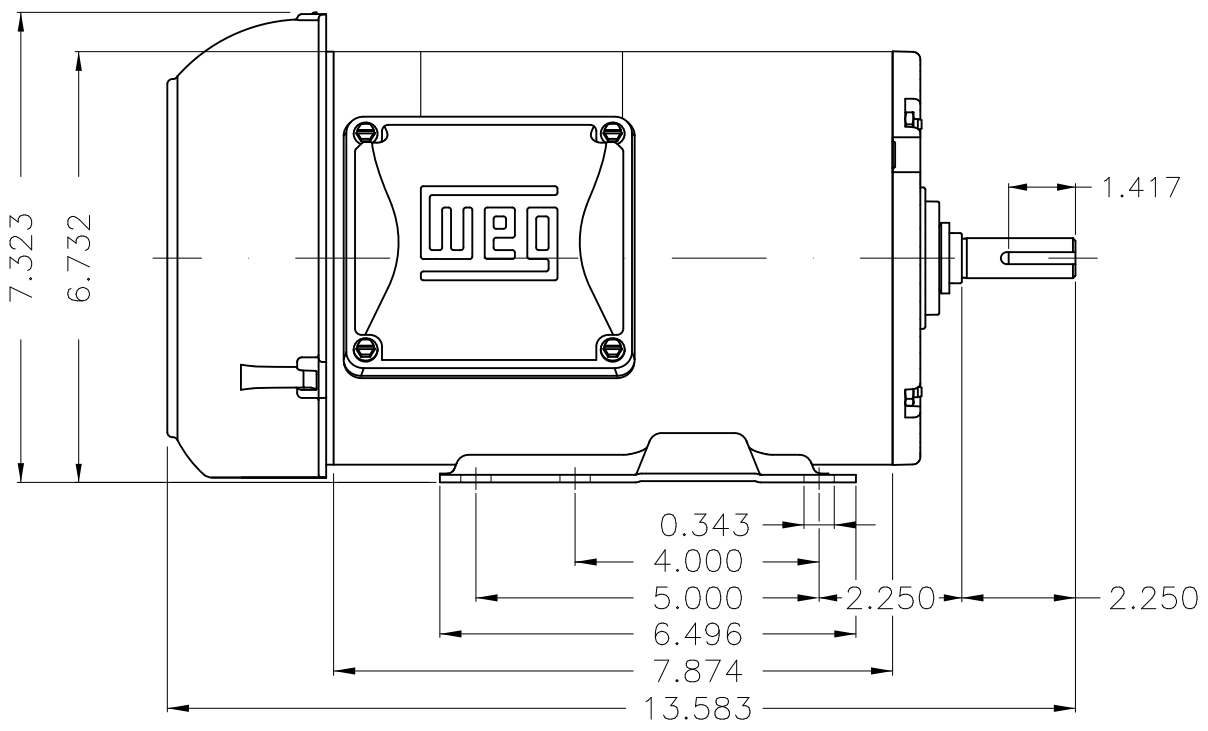
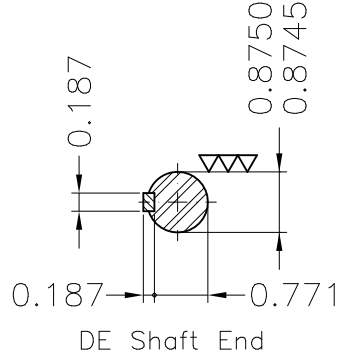
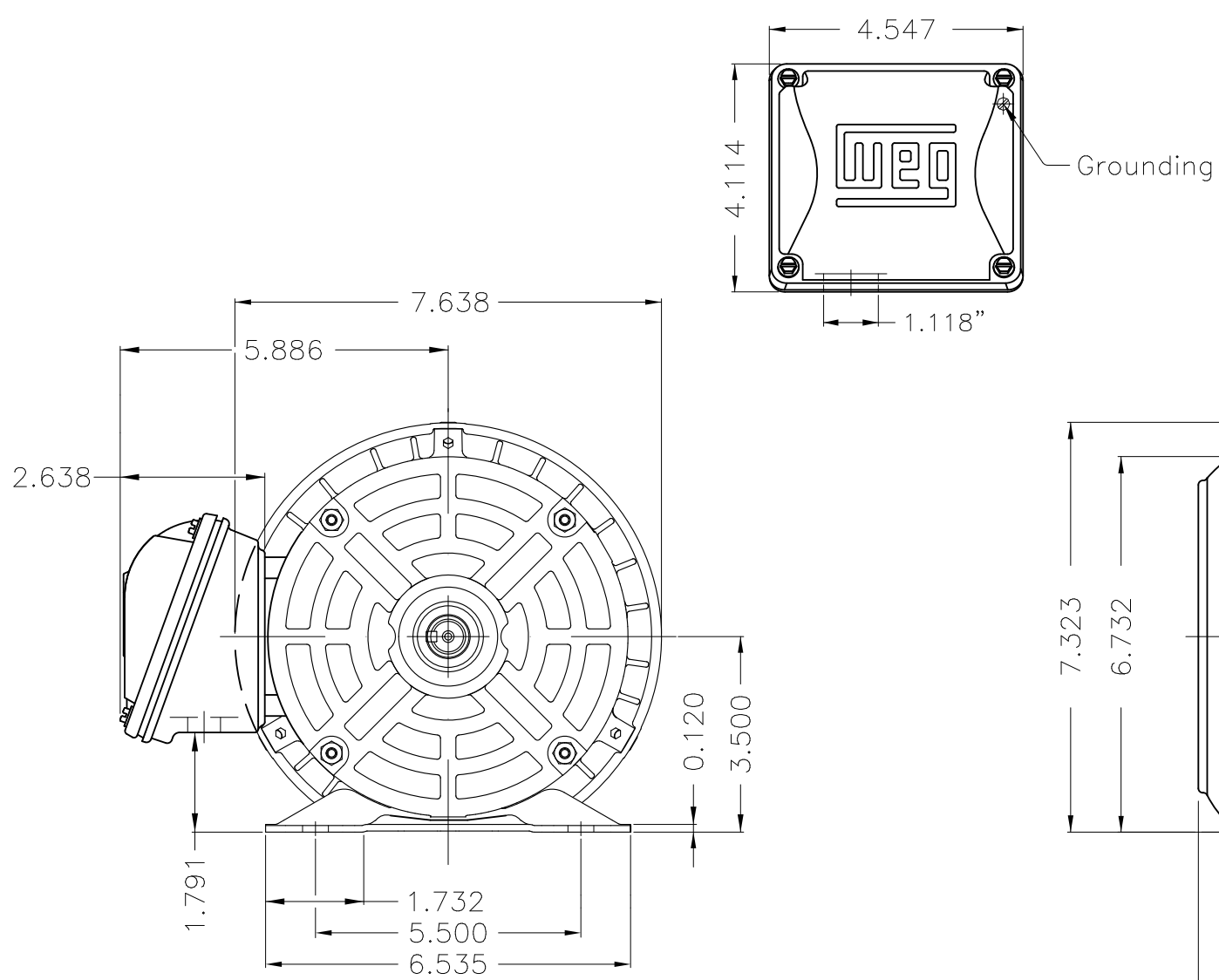
A

B

C

D

E



Color Munsell N 1 matte black
 Painting plan 207N
 Mounting F-1/B3R(D)

																HYBRISUSER						00	
	ECM	LOC	SUMMARY OF MODIFICATIONS											EXECUTED	CHECKED	RELEASED	DATE	VER					
EXECUTED	HYBRISUSER																						
CHECKED			THREE PH. MOTOR ROLLED STEEL NEMA PREM. EFF. FRAME 143/5T IP55 TEFC																		PREVIEW		
RELEASED																					WDD 00		
REL. DATE			WMO	Jaragua do Sul	Product Engineering	SHEET	1 / 1		WEG														

1 HP 04 Poles 60 Hz