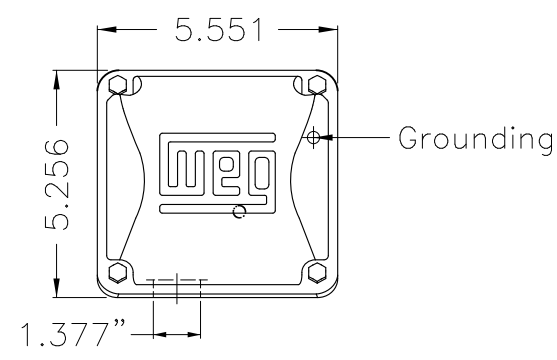
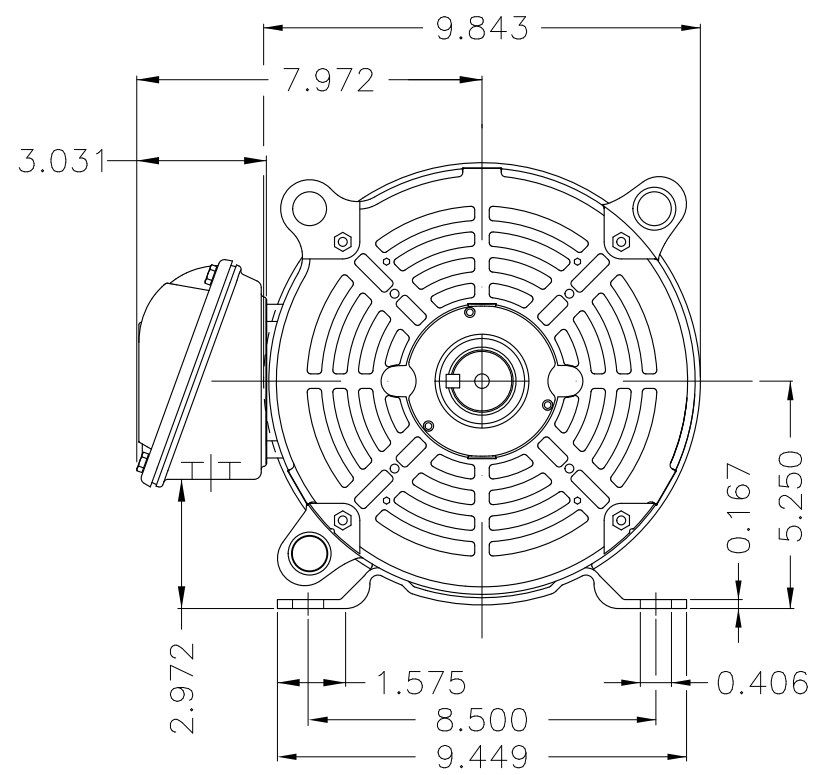


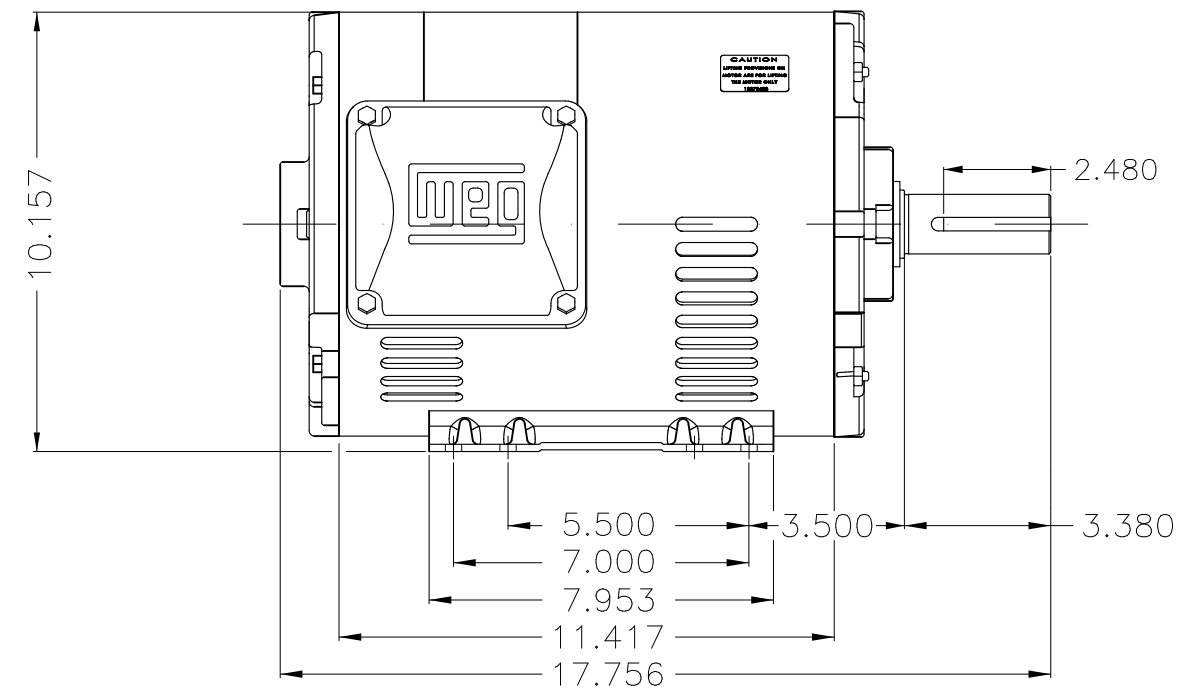
A



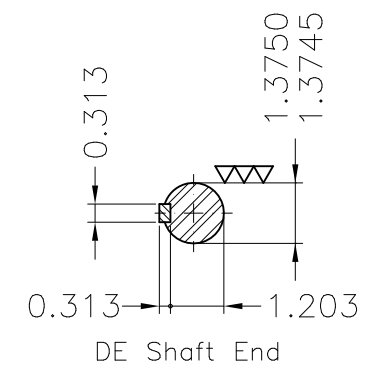
B



C



D



E

Color Munsell N 1 matte black					
Painting plan 207N					
Mounting F-1/B3R(D)					
				HYBRISUSER	00
ECM	LOC	SUMMARY OF MODIFICATIONS	EXECUTED	CHECKED	RELEASED DATE VER
EXECUTED	HYBRISUSER	THREE PH. MOTOR ROLLED STEEL NEMA PREM. EFF.			
CHECKED		FRAME 213/5T IP21 ODP			
RELEASED					
REL. DATE	WMO	Jaragua do Sul	Product Engineering	PREVIEW	WDD 00
			SHEET	1 / 1	

15 HP 02 Poles 60 Hz

