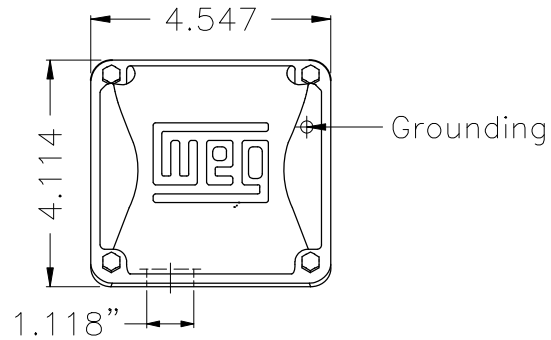
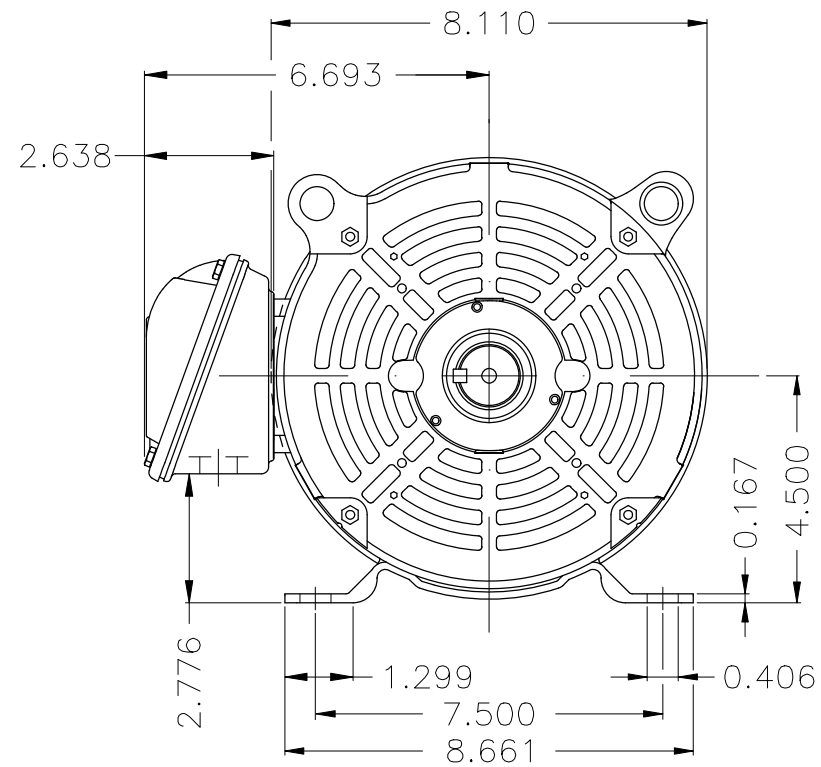


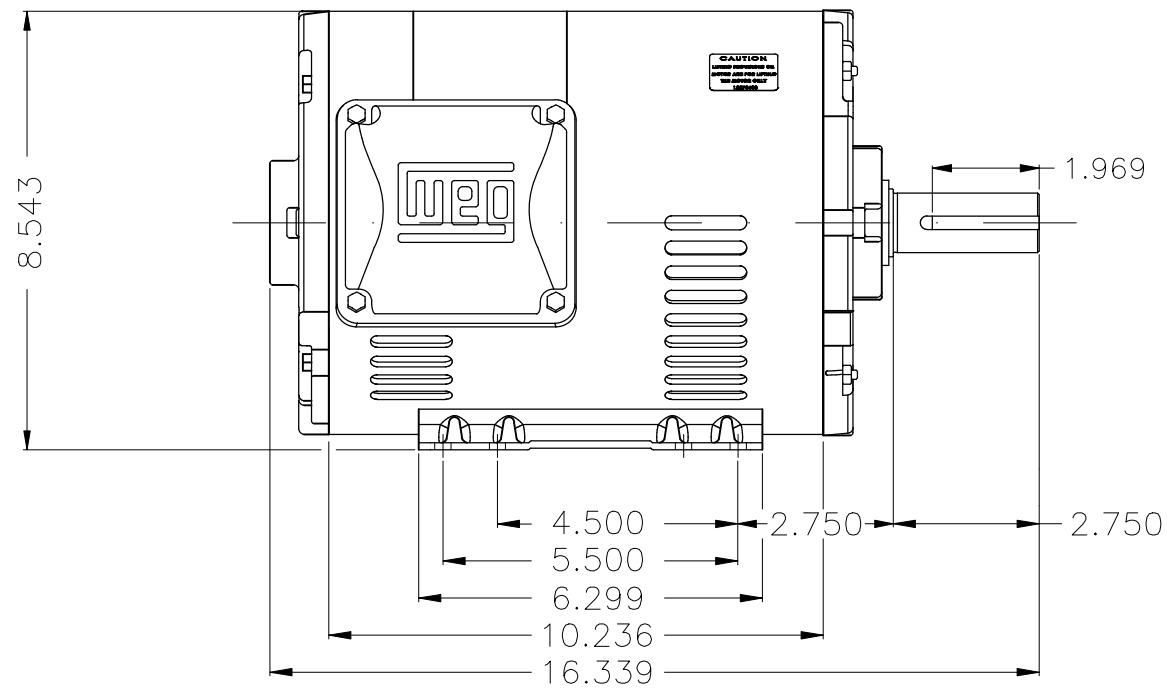
A



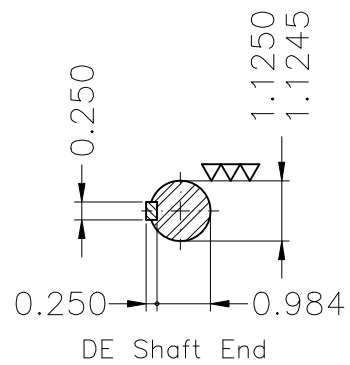
B



C



D



E

Color Munsell N 1 matte black						
Painting plan 207N						
Mounting F-1/B3R(D)						
				HYBRISUSER	00	
ECM	LOC	SUMMARY OF MODIFICATIONS	EXECUTED	CHECKED	RELEASED DATE VER	
EXECUTED	HYBRISUSER	THREE PH. MOTOR ROLLED STEEL NEMA PREM. EFF. FRAME 182/4T IP21 ODP		PREVIEW		
CHECKED				WDD	00	
RELEASED				SHEET	1 / 1	
REL. DATE		WMO Jaragua do Sul	Product Engineering			

5 HP 04 Poles 60 Hz

A