

1 2 3 4 5 6

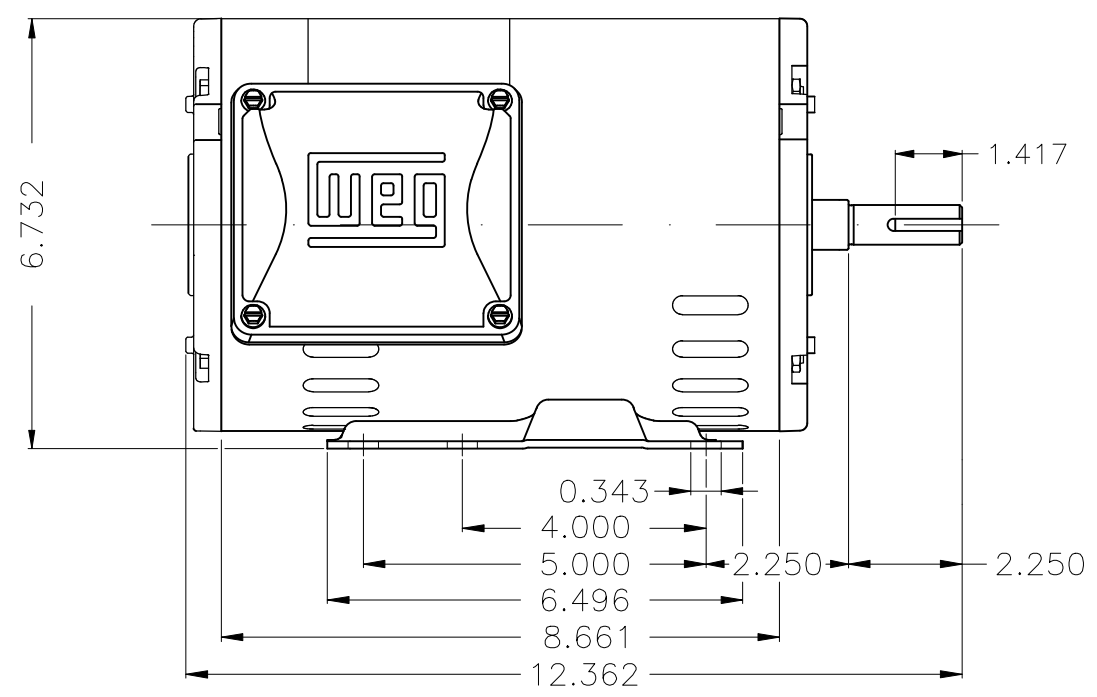
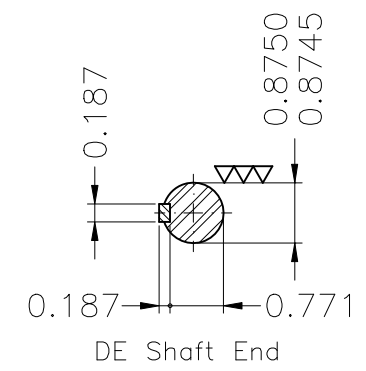
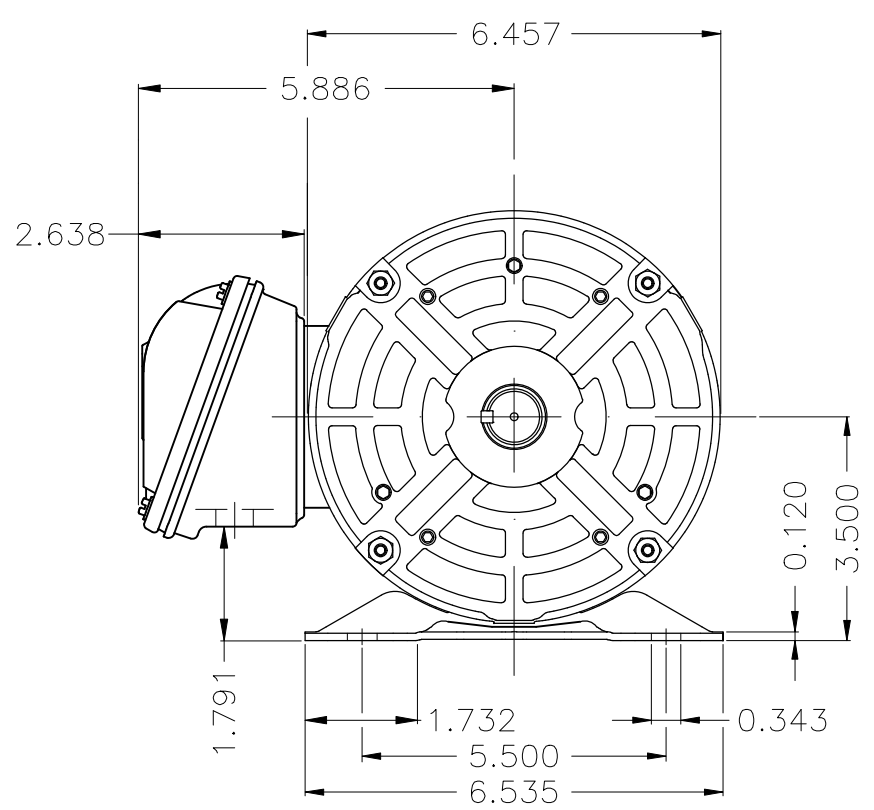
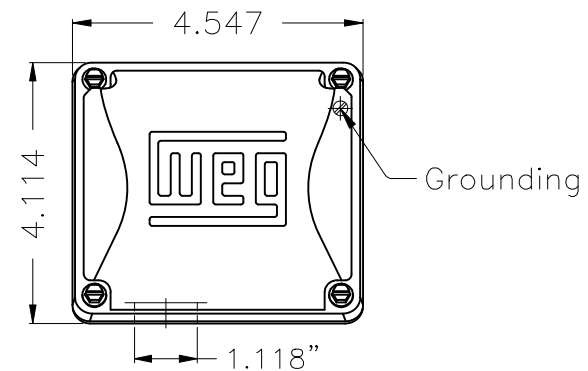
A

B

C

D

E



Color Munsell N 1 matte black
 Painting plan 207N
 Mounting F-1/B3R(D)

ECM	LOC	SUMMARY OF MODIFICATIONS	EXECUTED	CHECKED	RELEASED	DATE	VER
EXECUTED	HYBRISUSER	THREE PH. MOTOR ROLLED STEEL NEMA PREM. EFF.					
CHECKED		FRAME 143/5T IP21 ODP					
RELEASED							
REL. DATE	WMO	Jaragua do Sul	Product Engineering				

2 HP 04 Poles 60 Hz

A PREVIEW WDD 00 SHEET 1 / 1

