

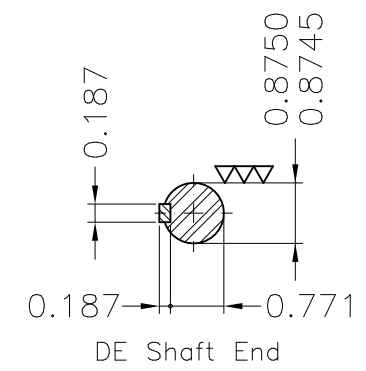
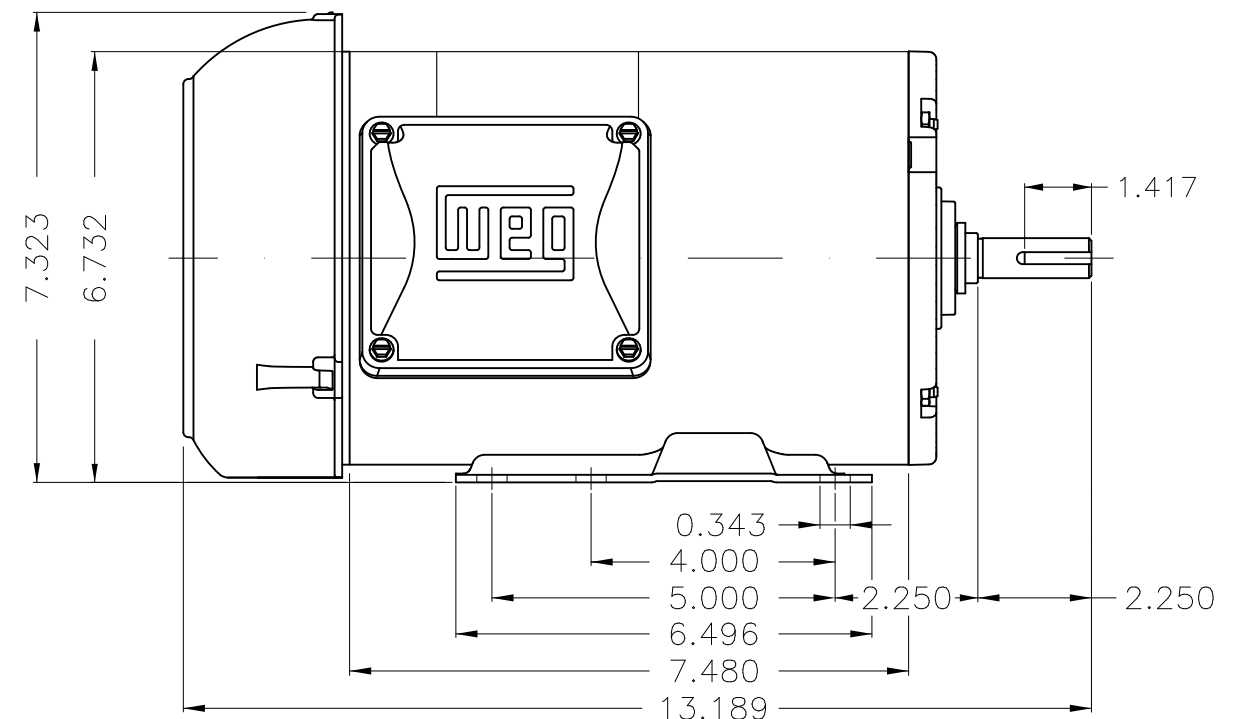
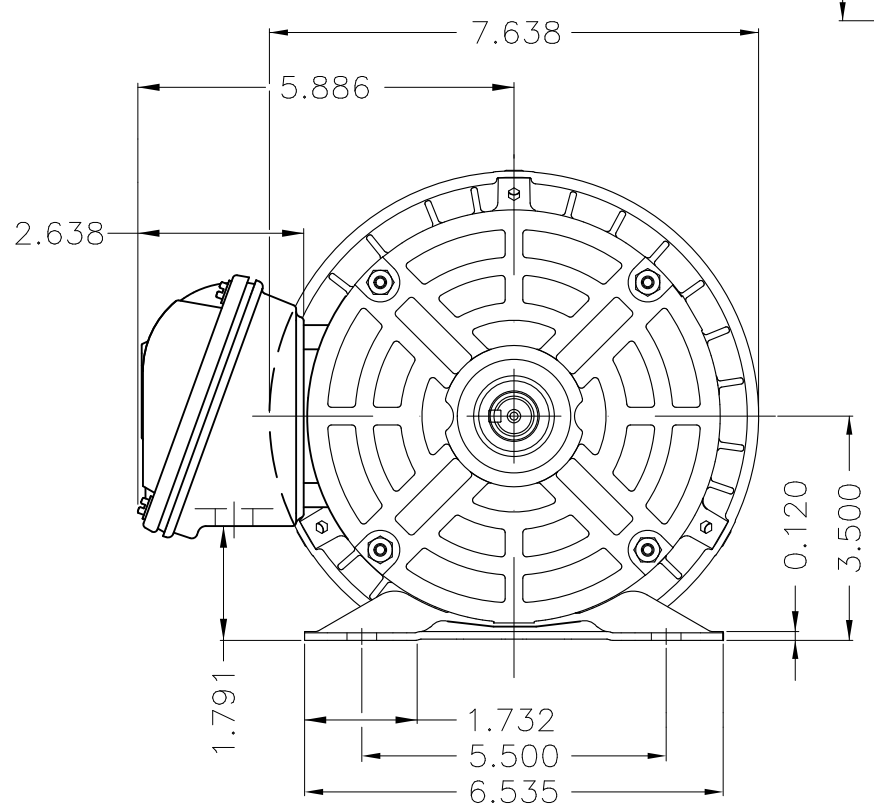
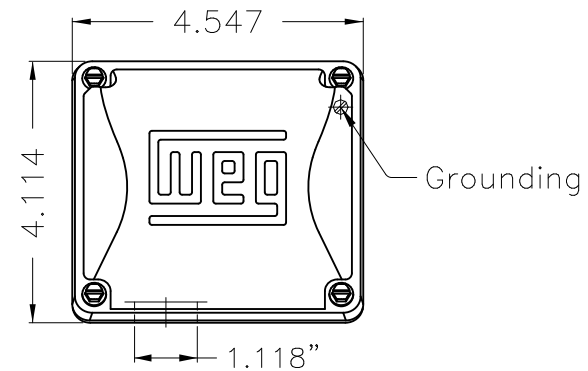
A

B

C

D

E



Color Munsell N 1 matte black  
 Painting plan 207N  
 Mounting F-1/B3R(D)

ECM	LOC	SUMMARY OF MODIFICATIONS	EXECUTED	CHECKED	RELEASED	DATE	VER
EXECUTED	HYBRISUSER	THREE PH. MOTOR ROLLED STEEL NEMA PREM. EFF. FRAME 143/5T IP55 TEFC					
CHECKED							
RELEASED							
REL. DATE	WMO Jaragua do Sul	Product Engineering					

**PREVIEW**  
 WDD | 00  
 SHEET 1 / 1



1.5 HP 02 Poles 60 Hz

A