

1 2 3 4 5 6

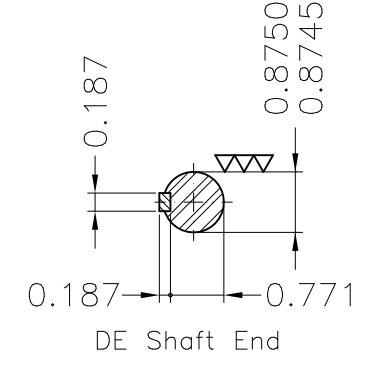
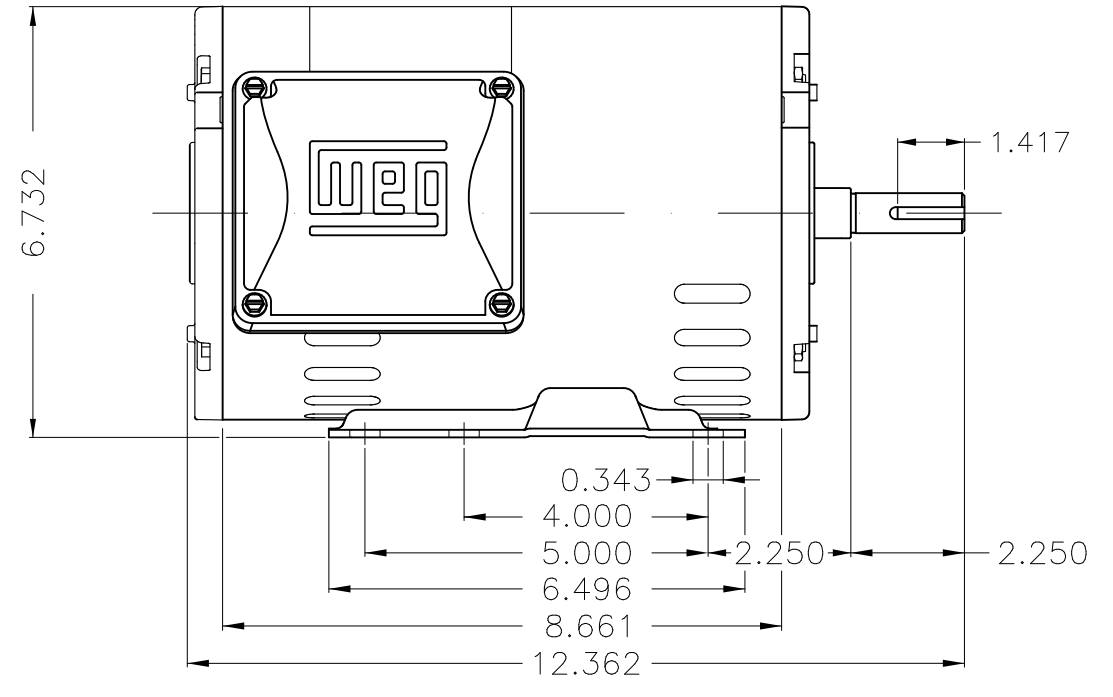
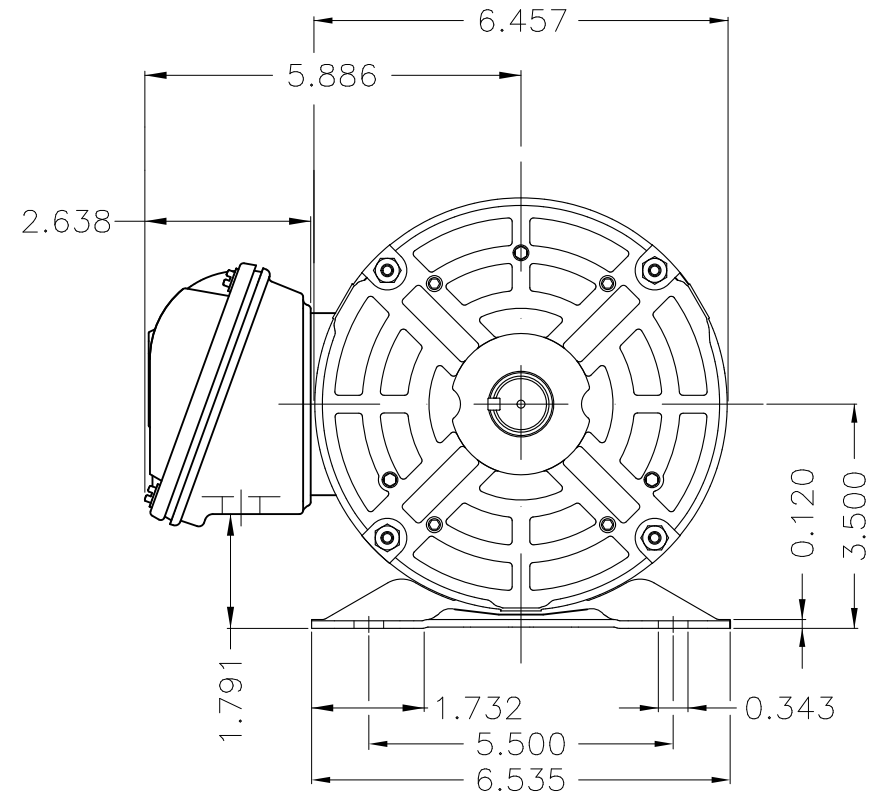
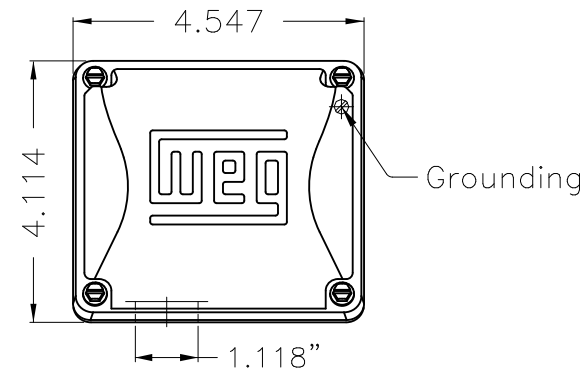
A

B

C

D

E



Color Munsell N 1 matte black						
Painting plan 207N						
Mounting F-1/B3R(D)						
				HYBRISUSER		00
ECM	LOC	SUMMARY OF MODIFICATIONS		EXECUTED	CHECKED	RELEASED
EXECUTED	HYBRISUSER		THREE PH. MOTOR ROLLED STEEL NEMA PREM. EFF.	PREVIEW		
CHECKED			FRAME 143/5T IP21 ODP			
RELEASED						
REL. DATE	WMO	Jaragua do Sul	Product Engineering	SHEET	1 / 1	

3 HP 02 Poles 60 Hz

WEG's property. Forbidden reproduction without previous authorization.



Dimensions in inches

XME A3